



82-90/8800 PINSPOTTER

PARTS CATALOG



Genuine Quality for Real Value!

In 1957, the AMF Pinspotter became the first fully automated machine to be installed and used by bowlers at the ABC Championship. Ever since, AMF has been committed to understand the demands of a bowling center. As the original equipment manufacturer, AMF is the expert!

When you buy Genuine AMF Parts, you know they have been conscientiously manufactured and thoroughly tested. Genuine AMF replacement Parts are manufactured to the highest specifications. When you buy Genuine AMF Parts you won't have to worry about compatibility or durability. Near enough is not good enough. Don't lower the quality and reliability of your equipment by using substitute parts.

AMF is committed to offering you the best value with Genuine AMF Parts. A commitment to see that those Parts measure up to the original equipment in quality, value and engineering. A commitment to offer you the best equipment, the best engineering and the best technology.

Our mission is to maximize brand loyalty, customer satisfaction, and value proposition by providing a full line of high quality products and services with timely order fulfillment and the best customer support.

Dedicated to Barney Blik, for his friendship, dedication, and service, not only to AMF but to the bowling industry worldwide.

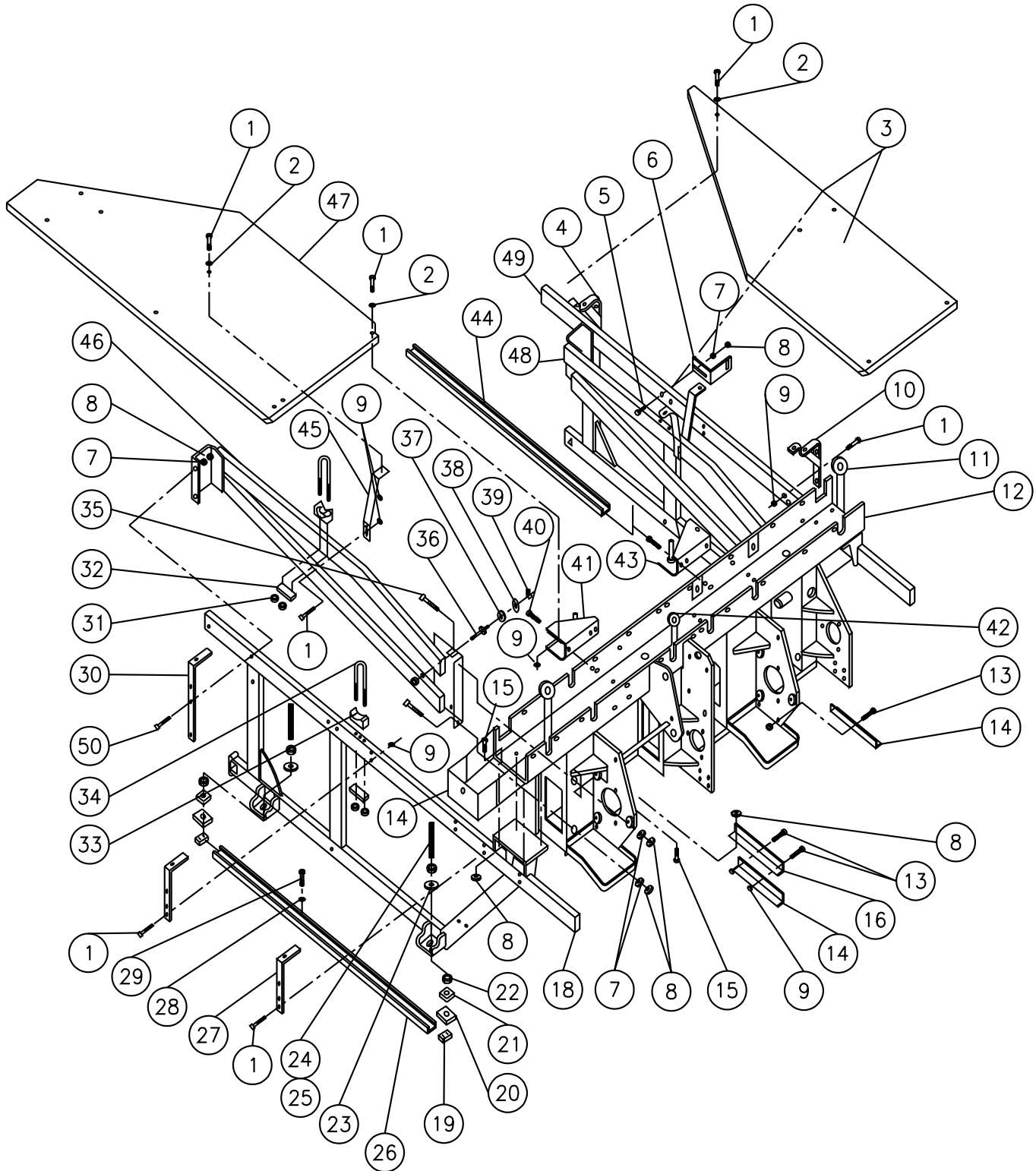


Consumer & Support Products (CSP) Division

"We keep you in the game!"



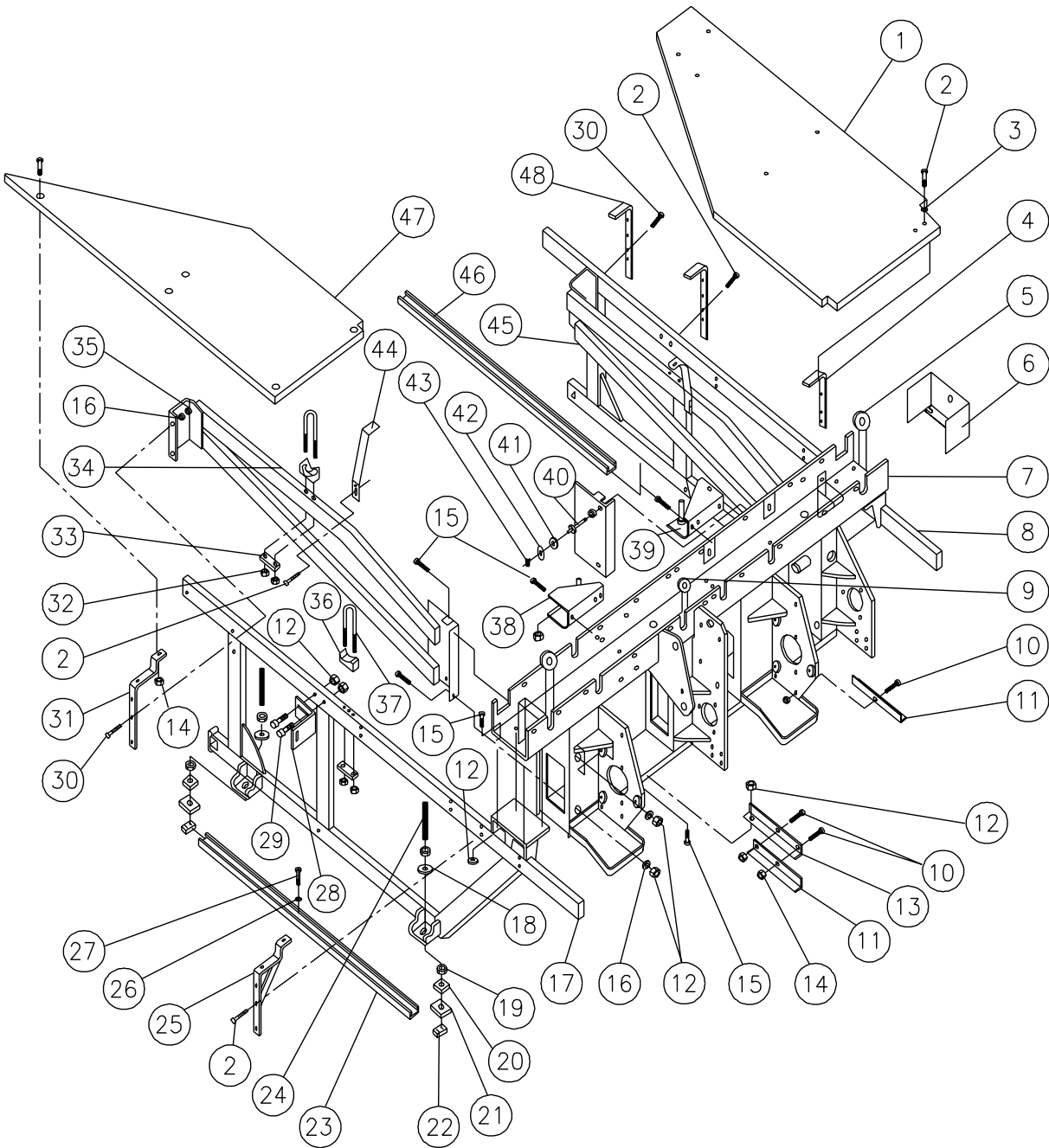
2	FRONT END FRAME & PLATFORM ASSEMBLY RH MACHINE	44	DISTRIBUTOR ASSEMBLY SHEET 1
4	FRONT END FRAME & PLATFORM ASSEMBLY LH MACHINE	46	DISTRIBUTOR ASSEMBLY SHEET 2
6	FRONT END DRIVE ASSEMBLY	48	POSITIVE BALL LIFT (PBL)
7	SPOT AND RESPOT LINK ASSEMBLY	50	PBL LIGHT SENSOR ASSEMBLY
8	SOLENOID OPERATED SHUTTLE ASSEMBLY	52	PBL POSITIVE BALL LIFT ASSEMBLY
10	TABLE DRIVE ASSEMBLY	54	PBL BELT TIGHTENER ASSEMBLY
12	SWEEP AND TABLE CAM SWITCH ASSEMBLY	55	PBL BELT TENSIONER ASSEMBLY
14	TABLE ASSEMBLY - ALUMINUM	56	PBL RATCHET DRIVE ASSEMBLY
16	RESPOT CELL ASSEMBLY - ALUMINUM	58	PBL TRACK RAIL ASSEMBLY
18	TABLE TORQUE TUBE ASSEMBLY - ALUMINUM	59	GUARDS AND SAFETY LABELS ASSEMBLY
20	TABLE AND BRACKET ASSEMBLY - STEEL	60	KICKBACK PLATE ASSEMBLY BALL EXIT SIDE
22	TABLE AND RESPOT CELLS - STEEL	62	KICKBACK PLATE ASSEMBLY SIDE OPPOSITE BALL EXIT
24	TIE ROD BRACKET ASSEMBLY - STEEL	64	PIN ELEVATOR WHEEL ASSEMBLY
26	TABLE TO CROSSBEAM - STEEL	66	BACK END MOTOR MOUNT BRACKET ASSEMBLY
28	TABLE WIREWAY ASSEMBLY - ALUMINUM & STEEL	68	BACK END ASSEMBLY
30	YOKE AND SPOTTING CUP ASSEMBLY	70	BOUNCE PLATE AND ROLLER ASSEMBLY
32	RESPOT CELLS 1-6 ASSEMBLY	72	CUSHION, SHOCK ABSORBER, & CURTAIN ASSEMBLY
33	RESPOT CELLS 7-10 ASSEMBLY	74	CHASSIS MOUNTING BRACKET ASSEMBLY
34	TIE ROD ASSEMBLIES	76	FRONT END ELECTRICAL INSTALLATION RH MACHINE
35	SHUTTLE ASSEMBLY	78	FRONT END ELECTRICAL INSTALLATION LH MACHINE
36	BIN ASSEMBLY	81	OBSOLETE/CROSS-REFERENCE LIST
38	SWEEP ARM ASSEMBLY	101	REPAIR/EXCHANGE PROGRAM
40	SWEEP BAR MOUNTING ASSEMBLY	105	PARTS INDEX
42	DISTRIBUTOR DRIVE SHAFT ASSEMBLY FOR 82-70 AND EARLY 82-90		
43	DISTRIBUTOR DRIVE SHAFT ASSEMBLY FOR LATER 82-90		



ITEM	PART NUMBER	DESCRIPTION
1	809-849-285	HEX HD, SCREW, 1/4 - 20 x 1 - 3/4 LG.
2	948-753-102	FLAT WASHER, 5/8 O.D. 9/32 I.D. 1/16
3	070-006-425	R.H. PLATFORM (R.H. MACHINE)
4	070-006-414	REAR PLATFORM SUPPORT WELDMNT, (BALL RETURN SIDE)
5	809-865-285	HEX HD, SCREW, 3/8 - 16 x 1 - 3/4 LG.
6	070-004-654	SUPPORT ANGLE
7	948-767-132	FLAT WASHER, 13/16 x O.D. 13/32 I.D.x 1/16 THK.
8	839-665-002	NUT, HEXLOCK 3/8 - 16
9	844-049-002	NUT, HEXLOCK 1/4 - 20
10	070-001-819	FRONT PLATFORM SUPPORT WELDMNT (BALL RETURN SIDE)
11	250-001-046	LARGE GROMMET
12	090-004-001	CROSS BEAM WELDMNT
13	809-865-125	HEX HD, SCREW, 1/4 - 20 x 3/4 LG.
14	090-005-034	ANGLE BRACKET
15	809-865-165	HEX HD, SCREW, 3/8 - 16 X 1 LG.
16	070-001-698	PIT LIGHT ANGLE BRACKET
18	090-004-006	SIDE FRAME, L.H.
19	843-500-001BG	UNISTRUT NUT, P3010, 1/2 - 13
20	000-021-786	BEARING PLATE - FRAME ADJ.
21	070-007-509	NUT, ELEVATING
22	835-573-002	NUT, HEX JAM 1/2 - 13
23	000-021-787	THICK WASHER
24	070-007-510	SCREW, ELEVATING
25	700-107-076	LOCTITE - THREAD - LOC

ITEM	PART NUMBER	DESCRIPTION
26	070-007-843	LONG UNISTRUT
27	070-001-817	PLATFORM ANGLE SUPPORT
28	948-761-112	FLAT WASHER, 11/16 O.D. x 11/32 I.D. x 1/16 THK.
29	810-556-320	HEX HD. LAG SCREW, 5/16 x 2 LG.
30	070-006-405	PLATFORM ANGLE SUPPORT
31	844-057-002	HEX LOCK NUT, 5/16 - 18
32	070-008-126	CLAMP BAR
33	000-021-528	SADDLE
34	804-557-731	U-BOLT SWEEP MTGN.
35	809-865-245	HEX HD. SCREW, 3/8 - 16 x 1 - 1/2 LG.
36	070-011-165	PIN SPRING ROLLER
37	070-001-668	ROLLER, SPRING
38	945-867-242	WASHER, 1 - 1/2 O.D. x .406 O.D.x .048 THK.
39	963-400-002	X-WASHER, 9000-12
40	809-865-165	HEX HD, SCREWS, 3/8 - 16 x 1 LG.
41	070-006-413	BRACKET WELDMNT (BIN SUPPORT- L.H.)
42	711-520-017	SMALL GROMMET
43	070-006-411	BRACKET WELDMNT (BILL SUPPORT - R.H.)
44	070-007-844	SHORT UNISTRUT, BALL RETURN SIDE
45	070-006-490	FRAME SUPPORT WELDMNT
46	090-004-005	FRAME BRACE WELDMNT L.H.
47	070-006-426	PLATFORM
48	090-005-647	R.H. INNER SIDE BRACE
49	090-004-002	SIDE FRAME R.H.
50	809-865-325	HEX HD, SCREW, 3/8 - 16 X 2 LG.
51	090-004-028	DECAL (NOT SHOWN)

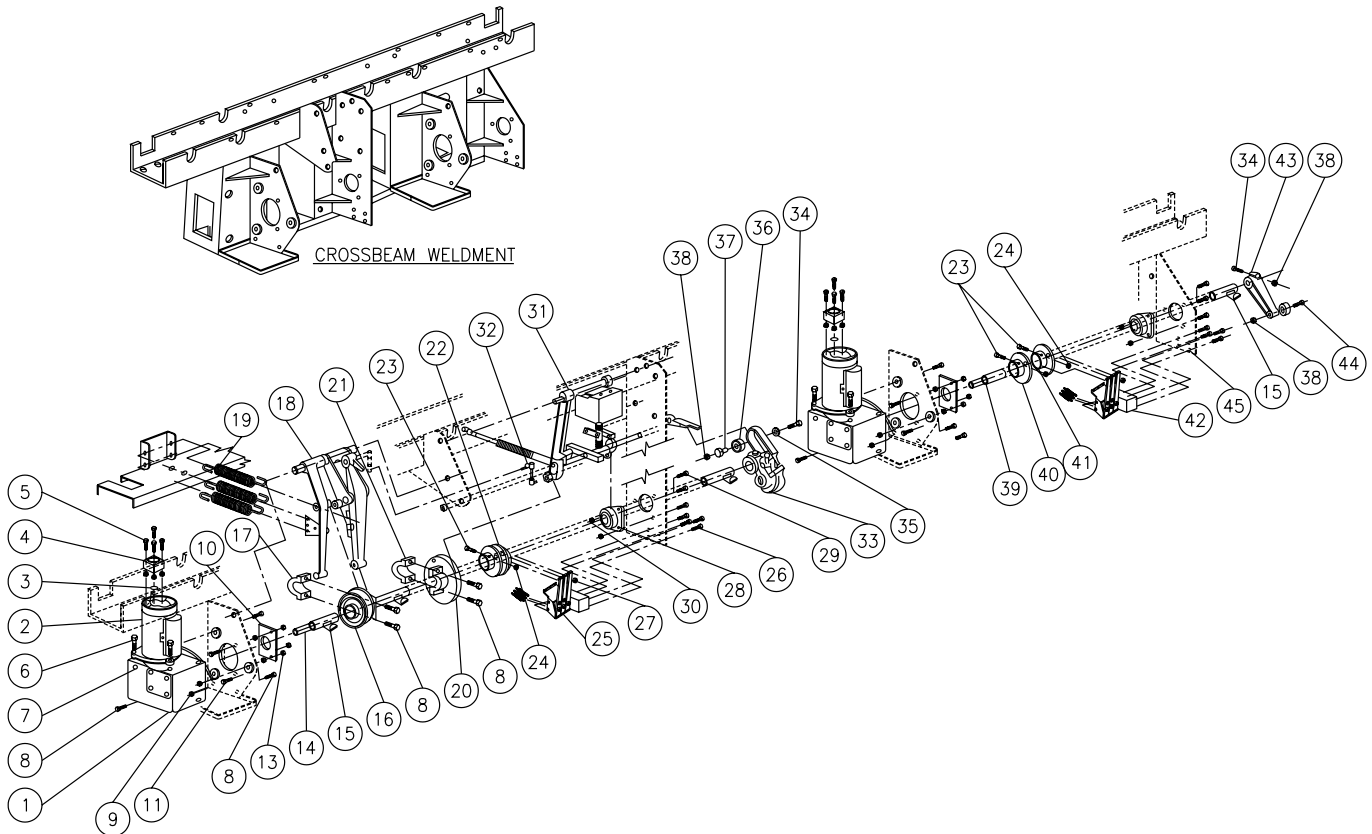




ITEM	PART NUMBER	DESCRIPTION
1	070-006-426	PLATFORM, R.H.
2	809-849-285	SCREW, HEX, 1/4 -20 X 1-3/4
3	948-753-102	WASHER, FLAT, 5/8 X 9/32 X 1/16
4	070-001-817	PLATFORM ANGLE WELDMENT
5	250-001-046	GROMMET, LARGE
6	090-005-034	END PLATE
7	090-004-001	CROSSBEAM WELDMENT
8	090-004-003	SIDE FRAME, R.H.
9	711-520-017	GROMMET, SMALL
10	809-849-125	SCREW, HEX, 1/4 -20 X 3/4
11	070-001-596	ANGLE BRACKET
12	839-665-002	NUT, STOVER LOCK, 3/8 -16
13	070-001-698	PIT LIGHT BRACKET
14	844-049-002	NUT, STOVER LOCK, 1/4 - 20
15	809-865-165	SCREW, HEX, 3/8 - 16 X 1
16	948-767-132	WASHER, FLAT, 13/16 X 13/32 X 1/16
17	090-004-006	SIDE FRAME, L.H
18	000-021-787	WASHER, 9/16 X 1-5/8 X 1/4
19	835-573-002	NUT, HEX JAM, 1/2 - 13
20	070-007-509	ELEVATING NUT
21	000-021-786	FRAME ADJUSTMENT PLATE
22	853-500-001	UNISTRUT NUT
23	070-007-844	UNISTRUT, SHORT
24	070-007-510	ELEVATING SETSCREW

ITEM	PART NUMBER	DESCRIPTION
25	070-001-819	PLATFORM SUPPORT WELDMENT
26	948-761-112	WASHER, FLAT, 11/16 X 11/32 X 1/16
27	810-556-320	SCREW, HEX LAG, 5/16 X 2
28	070-004-654	TRACK SUPPORT BRACKET
29	809-865-285	SCREW, HEX, 3/8 - 16 X 1-3/4
30	809-865-325	SCREW, HEX, 3/8 - 16 X 2
31	070-006-414	PLATFORM SUPPORT BRACKET
32	844-057-002	NUT, STOVER LOCK, 5/16 - 18
33	070-008-126	CLAMP BAR
34	090-005-646	INNER SIDE BRACE, L.H.
35	840-065-002	NUT, FLEX LOCK, THIN, 3/8 - 16
36	000-021-528	SADDLE
37	804-557-731	U-BOLT, SWEEP MOUNTING
38	070-006-413	BRACKET WELDMENT, BIN ASSEMBLY, L.H.
39	070-006-411	BRACKET WELDMENT, BIN ASSEMBLY, R.H.
40	090-002-028	PIN SPRING ROLLER
41	090-003-795	COUNTERBALANCE SPRING ROLLER
42	945-867-242	WASHER, 13/32 X 1-1/2
43	963-400-002	X-WASHER
44	070-006-490	PLATFORM SUPPORT BRACKET
45	090-005-647	INNER SIDE BRACE, R.H.
46	070-007-843	UNISTRUT, LONG
47	070-006-425	PLATFORM, L.H.
48	070-006-405	ANGLE WELDMENT



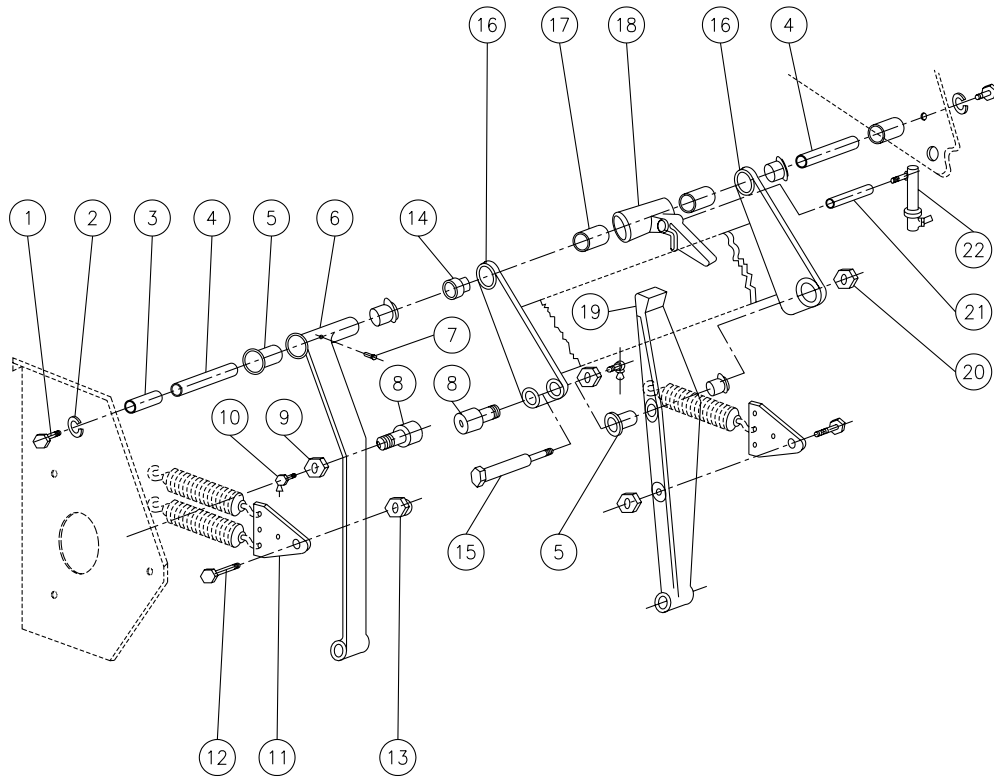


ITEM	PART NUMBER	DESCRIPTION
1	090-004-509	GEARBOX, 50 Hz
1a	090-004-504	GEARBOX, 60 Hz
1b	090-003-510	50 Hz ASSEMBLY (INCLUDES ITEMS 1-9 WITH 50 Hz MOTOR & GEARBOX)
2	090-004-548	MOTOR, 50 Hz
2a	090-004-547	MOTOR, 60 Hz
2b	090-003-511	60 Hz ASSEMBLY (INCLUDES ITEMS 1-9 WITH 60 Hz MOTOR & GEARBOX)
3	090-004-526	BUSHING
4	090-005-875	RECEPTACLE ASSEMBLY
5	828-127-062	THREADED SCREW, 6-32 x 1/2
6	809-865-285	HEX HD. SCREW, 3/8 - 16 x 1 3/4 LG.
7	839-665-002	STOVER LOCK NUT, 3/8 - 16
8	810-265-280	SOCKET HD CAP SCREW, 3/8 - 1 x 1-3/4 LG.
9	839-665-002	STOVER LOCK NUT, 3/8 - 16,
10	070-006-765	SHAFT PLATE
11	809-857-125	HEX HD. CAP SCREW, 5/16 - 18 x 3/4 LG.
13	844-057-002	STOVER LOCK NUT, 5/16 - 18
14	090-005-565	TABLE DRIVE SHAFT
15	907-000-900	HI-PRO KEY # 910
16	090-005-589	SPOT & RESPOT CAM
17	070-001-562	SPOT & RESPOT CAM HUB CAP (COMES WITH CAM)
*18	090-003-605	SPOT & RESPOT LINK ASSEMBLY
19	070-001-707	EXTENSION SPRING
20	070-006-427	SHUTTLE CAM
21	070-006-407	SHUTTLE CAM HUB CAP

ITEM	PART NUMBER	DESCRIPTION
22	070-006-417	TABLE CAM WELDMENT
23	070-001-664	CLAMP STUD
24	835-549-002	HEX NUT, 1/4 - 20
25	070-006-420	TABLE CAM SWITCH & LEVER ASSY.
26	818-239-122	SEMS ROUND HD SCREW
27	843-139-002	SEMS KEP NUT, 10-24
28	090-004-020	LUTCO 3-BOLT TRIANGULAR BALL BEARING
28a	902-900-110	COLLAR 1.25 BEARING LOCK
28b	701-420-034	BEARING 1.25 BORE 3 BOLT FLANGE
29	809-865-165	HEX HD CAP SCREW 3/8 - 16
30	839-665-002	STOVER LOCK NUT, 3/8 - 16
**31	090-003-655	SOLENOID OPERATED SHUTTLE ASY. - OBS
32	070-006-493	BALL JOINT ASSEMBLY
33	070-001-840	TABLE DRIVE ASY.
34	809-873-405	HEX HD. CAP SCREW, 1/2 - 13 x 2 - 1/2 LG.
35	070-007-311	SLEEVE
36	190-001-490	BEARING
37	070-007-310	BUSHING
38	844-073-002	STOVER LOCK NUT, 1/2 - 13
39	070-001-699	SWEEP SHAFT
40	070-006-450	SWEEP CAM WELDMENT
41	070-006-449	SWEEP CAM WELDMENT
42	070-006-420	SWEEP CAM SWITCH & LEVER ASSY.
43	000-023-139	CRANK ARM
44	070-003-243	SWEEP DRIVE SCREW
45	250-001-544	SPACERS .025 x .597 x .072

*Note - Reference Only - see page 7 for assembly parts

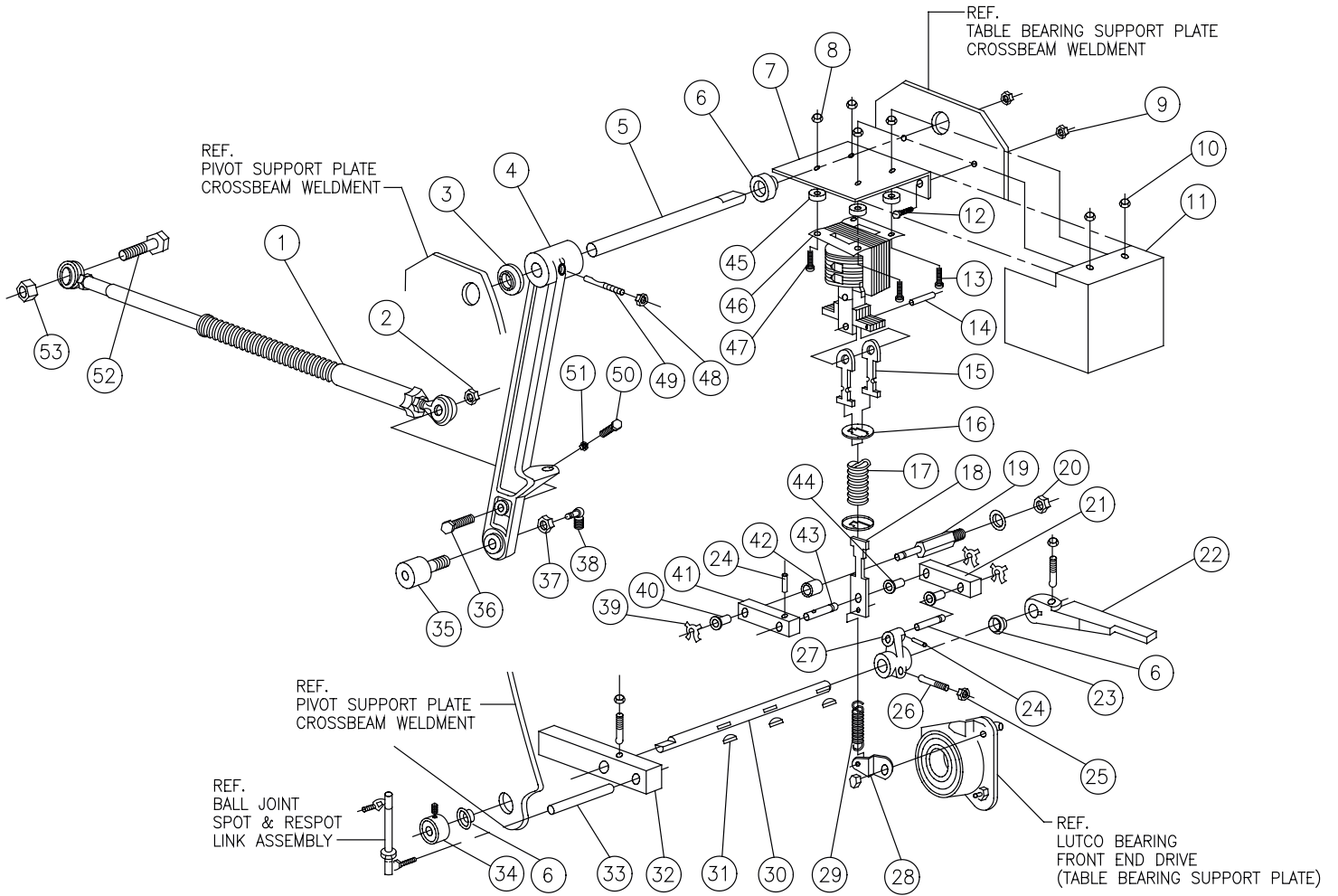
**Note - Reference Only - see page 8 for assembly parts



ITEM	PART NUMBER	DESCRIPTION
1	809-857-125	SCR, HX 5/16 - 18 x 3/4
2	951-164-002	LOCKWASHER, 3/8
3	090-005-026	SPACER, 7/8 x 1 - 1/4 LG.
4	090-005-025	PIVOT SHAFT, 5/8 O.D. x 8 - 5/8 LG.
5	070-001-919	FLANGED BEARING
6	070-006-492	RESPOT ARM LINK ASSEMBLY
7	710-501-009	GREASE FITTING, ALEMITE # 3006
8	610-704-002	CAM FOLLOWER BEARING ASSEMBLY
9	844-070-002	STOVER LOCK NUT, 7/16 - 20
10	710-501-012	GREASE FITTING
11	090-005-576	SPRING HANGER

ITEM	PART NUMBER	DESCRIPTION
12	070-001-587	SPRING HANGER PIN
13	839-665-002	FLEX LOC NUT, 3/8 - 16
14	070-002-691	FLANGED BEARING
15	070-001-585	SPOT LINK PIN
16	070-001-605	UPPER SPOTTING LINK ASSEMBLY
17	900-110-141	BRONZE SLEEVE BEARING
18	070-001-997	SPOTTING ARM LATCH ASSEMBLY
19	070-006-481	SPOT ARM LINK ASSEMBLY
20	844-073-002	STOVER LOCK NUT, 1/2 - 13
21	913-464-360	ROLL PIN, 3/8 O.D. x 2 - 1/4 LG.
22	070-006-493	BALL JOINT ASSEMBLY





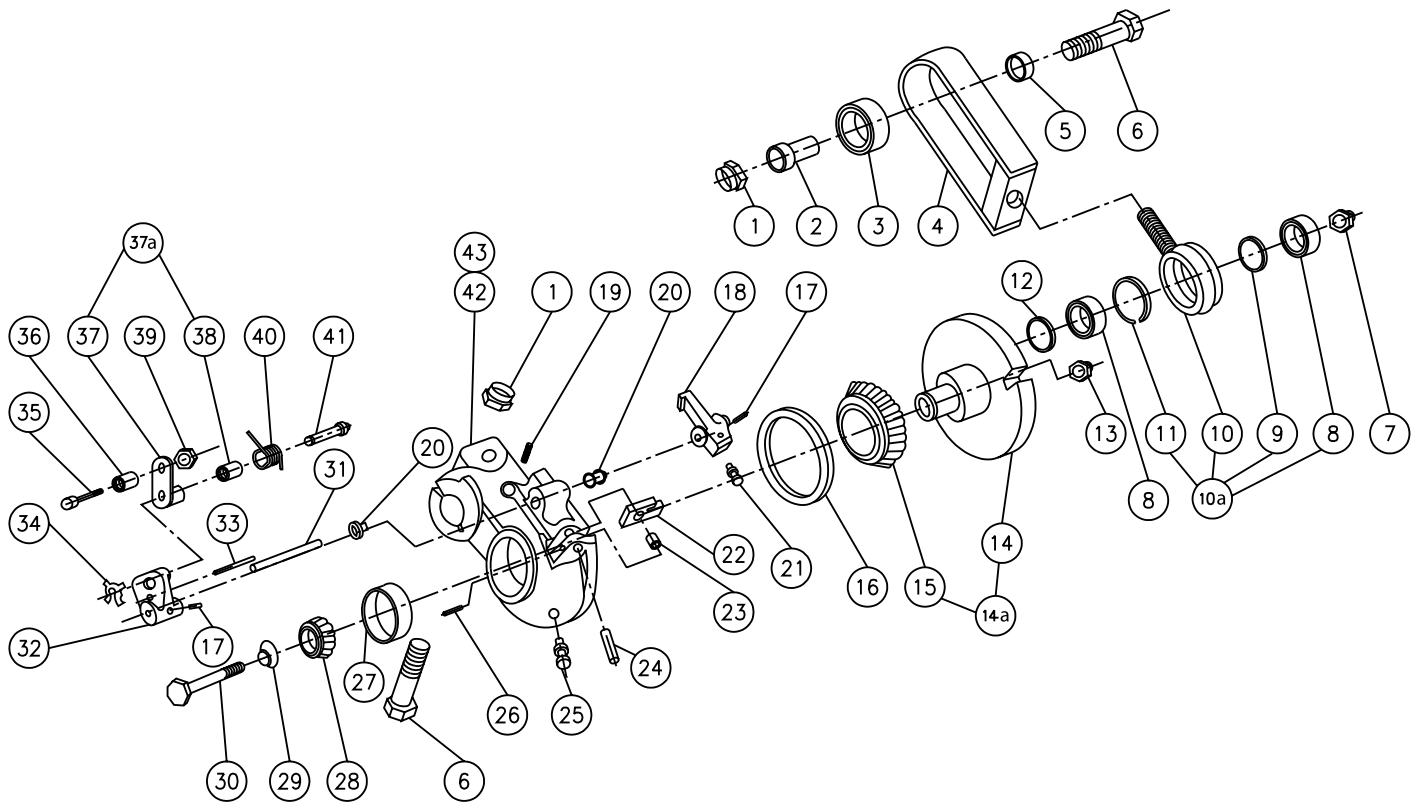
SOLENOID & SHUTTLE ASY

ITEM	PART NUMBER	DESCRIPTION
1	090-005-263	SHUTTLE CONNECTING ROD
2	840-065-002	NUT, FLEX LOCK, 3/8 - 16
3	900-210-251	FLANGED BEARING
4	070-006-295	SHUTTLE OPERATING ROD LEVER
5	090-004-017	RESPOT LEVER SHAFT
6	900-208-041	FLANGED BEARING, .503 X .753 X 5/16
7	090-005-018	SOLENOID BRACKET
8	839-533-002	NUT, FLEX LOCK, 8 - 32
9	844-049-002	NUT, STOVER LOCK, 1/4 - 20
10	843-133-002	NUT, HEX LOCK, 8 - 32
11	090-005-029	SOLENOID GUARD
12	809-849-125	SCREW, HEX, 1/4 - 20 X 3/4
13	813-933-162	SCREW, HEX, 8 - 32 X 1
14	913-448-120	SPRING PIN, 1/4 X 3/4
15	070-006-724	LINK, SHUTTLE SPRING, UPPER
16	070-006-277	SPRING WASHER
17	070-006-276	SHUTTLE DRIVE SPRING
18	070-006-282	LINK, SHUTTLE SPRING, LOWER
19	090-005-028	SOLENOID PIVOT STUD
20	839-665-002	NUT, FLEX LOCK, 3/8 - 16
21	070-008-132	LINK ASSEMBLY
22	070-006-278	CAM LINK
23	070-001-777	LINK PIN
24	913-415-100	SPRING PIN, 3/32 X 5/8
25	835-549-002	NUT, HEX JAM, 1/4 - 20
26	070-006-116	CLAMP STUD, 1/4 X 1-1/8
27	070-006-292	LINK

ITEM	PART NUMBER	DESCRIPTION
28	070-006-280	SPRING CLIP
29	070-006-283	SHUTTLE DRIVE LINK SPRING
30	090-005-017	SOLENOID PIVOT SHAFT
31	907-000-200	KEY
32	070-006-456	STOP LEVER
33	913-464-480	SPRING PIN, 3/8 X 3
34	901-100-110	SET COLLAR
35	070-006-728	CAM FOLLOWER
36	809-865-205	SCREW, HEX, 3/8 - 16 X 1-1/4
37	835-570-002	NUT, HEX JAM, 7/16 - 20
38	710-501-012	GREASE FITTING
39	963-200-002	X - WASHER
40	900-204-121	FLANGED BEARING, .25 X .378 X 3/4
41	070-008-134	LINK ASSEMBLY
42	070-008-133	LINK ASSEMBLY SPACER
43	070-006-287	PIN, LONG
44	070-002-630	FLANGED BEARING, .252 X .315 X .218
45	948-041-100	RUBBER WASHER
46	090-005-723	SOLENOID, 50/60 HZ, 115V / 230V
47	814-333-122	SCREW, HEX, 8 - 32 X 3/4
48	844-057-002	NUT, HEX, 5/16 - 18
49	070-006-284	CLAMP STUD 5/16 X 1-3/4
50	809-865-205	SCREW, HEX, 3/8 - 16 X 1
51	835-566-002	NUT, HEX JAM, 3/8 - 16
52	809-865-245	SCREW, HEX, 3/8 - 16 X 1-1/2
53	844-065-002	NUT, STOVER LOCK, 3/8 - 16

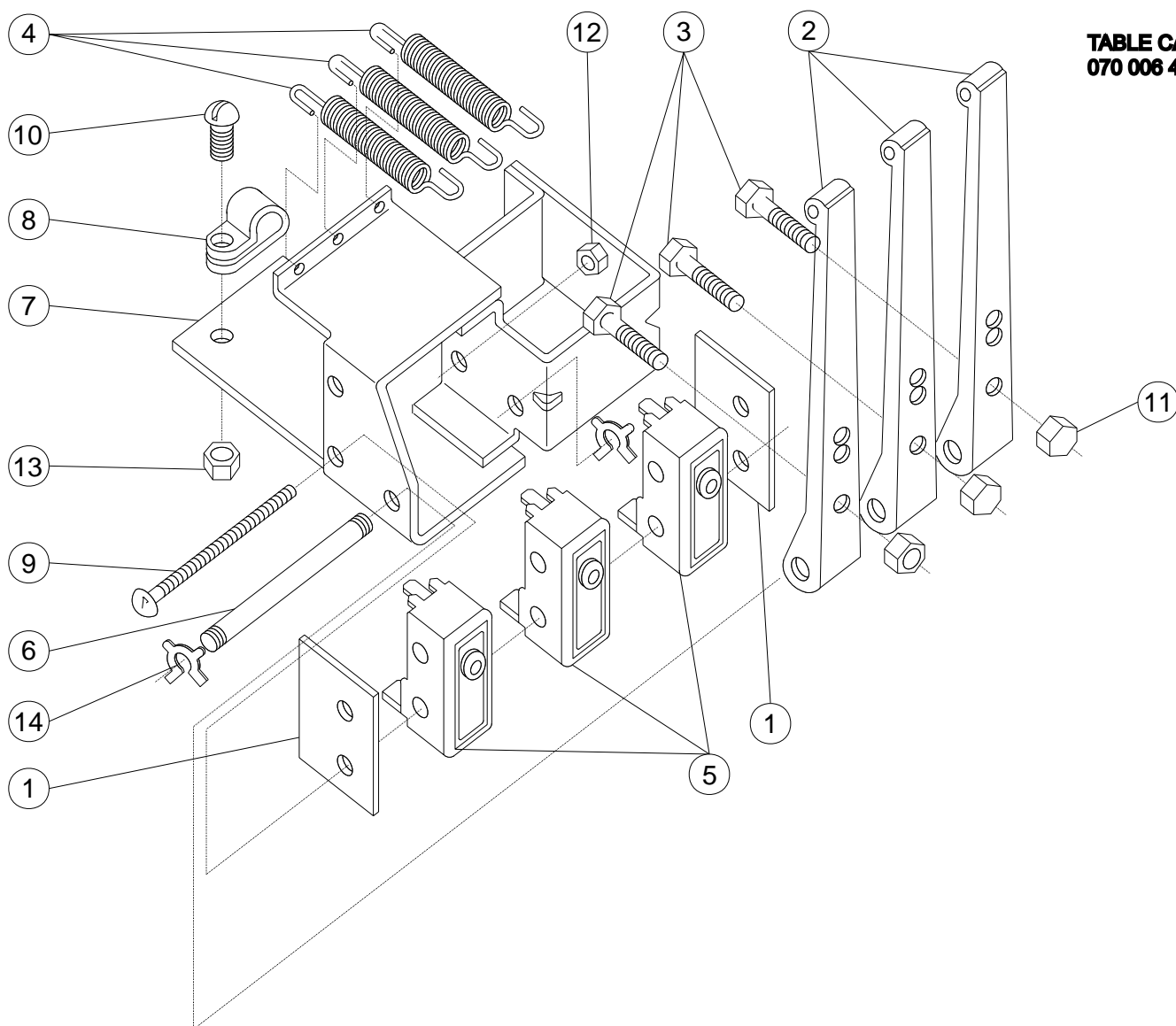
*Note - Order Cable 090-003-739 for First Time Replacement





ITEM	PART NUMBER	DESCRIPTION
1	844-073-002	STOVER LOCK NUT, 1/2 - 13
2	070-007-310	BUSHING
3	190-001-490	BALL BEARING
4	070-007-755	YOKE WELDMENT ASSEMBLY
5	070-007-311	SLEEVE
6	809-873-405	HEX HD. CAP SCREW, 1/2 - 13 x 2 - 1/2 LG.
7	844-070-002	FLEX LOC NUT, 7/16 -20
8	000-021-881	BALL BEARING
9	000-021-878	SPACER
10	000-021-879	ROD END
10a	000-021-880	ROD END ASSEMBLY (INCLUDES ITEMS 8-11)
11	919-000-600	RETAINING RING
12	070-001-849	ECCENTRIC WASHER 1, O.D. x 5/8 I.D. x 1/8 THK.
13	844-070-002	FLEX LOC NUT, 7/16 -20
14	090-005-549	ECCENTRIC
14a	070-002-779	ECCENTRIC & CONE ASSEMBLY (INCLUDES ITEMS 14 & 15)
15	070-002-776	ROLLER BEARING CONE
16	070-002-777	ROLLER BEARING CUP
17	913-423-120	ESNA ROLL PIN, 1/8 O.D. x 3/4 LG.
18	070-008-324	LATCH ARM ASSEMBLY (1/8" ROLL PIN HOLE)
19	070-001-917	COMPRESSION SPRING
20	900-205-053	FLANGE BEARING
21	070-001-893	CAM BALL ASSEMBLY

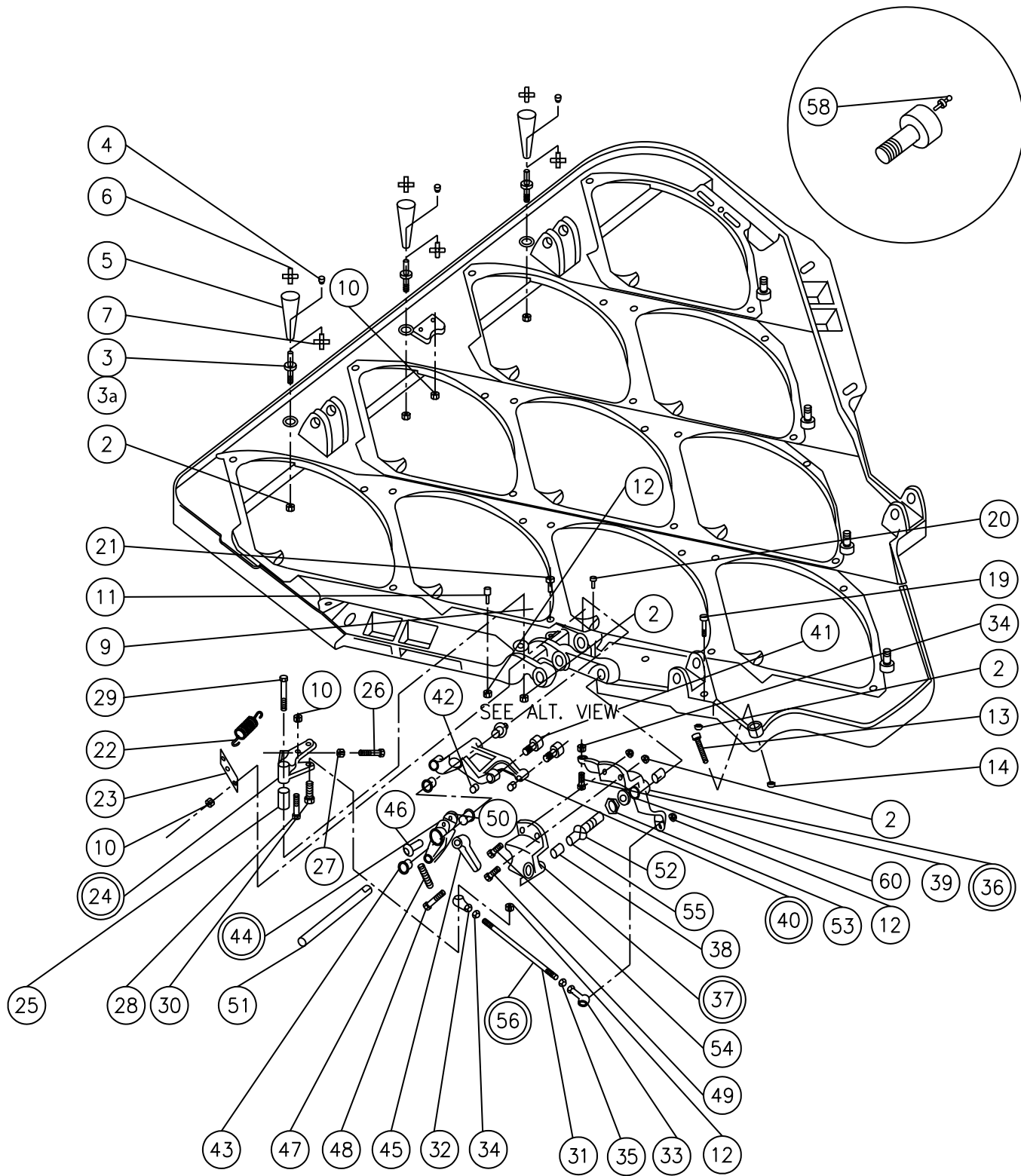
ITEM	PART NUMBER	DESCRIPTION
22	070-001-898	LATCH ASSEMBLY
23	900-104-071	SLEEVE BEARING
24	070-001-894	PIVOT PIN
25	710-501-004	GREASE FITTING
26	913-415-120	ESNA ROLL PIN, 3/32 O.D. x 3/4 LG.
27	070-002-780	ROLLER BEARING CUP
28	070-002-824	CONE & SEAL
29	070-006-729	SPRING DISC
30	809-870-285	HEX HD. CAP SCREW, 7/16 - 20 x 1- 3/4 LG.
31	070-008-325	PIN, 1/8" ROLL PIN HOLE
32	070-008-322	LINK ACTUATOR ASY.
33	912-137-200	GROOVE PIN 1/16 O.D. x 1-1/4 LG. TYPE 2
34	963-300-002	X-WASHER
35	880-139-120	SHOULDER SCREW, 1/4 x 3/8
36	070-001-857	ROLLER
37	070-001-861	LINK & HUB ASSEMBLY
37a	070-007-250	LINK ASSEMBLY (INCLUDES ITEMS 37 & 38)
38	070-002-652	BUSHING
39	839-539-002	FLEX LOC NUT
40	070-001-931	SPRING
41	070-001-932	PIN
42	070-001-889	TABLE DRIVE CRANK HOUSING
43	070-002-778	CRANK HOUSING & CUP ASSEMBLY (INCLUDES ITEMS 16, 20, 27, & 42)



**TABLE CAM
070 006 420**

ITEM	PART NUMBER	DESCRIPTION
1	000-021-575	INSULATOR
2	000-021-645	LEVER ASY - SWITCH
3	000-021-714	ADJUSTING SCREW
4	000-024-657	SPRING
5	000-026-042	SWITCH
6	000-026-401	SHAFT
7	000-026-419	HOUSING WELDMENT
8	744-203-014	CLAMP BURNDY HP-6N

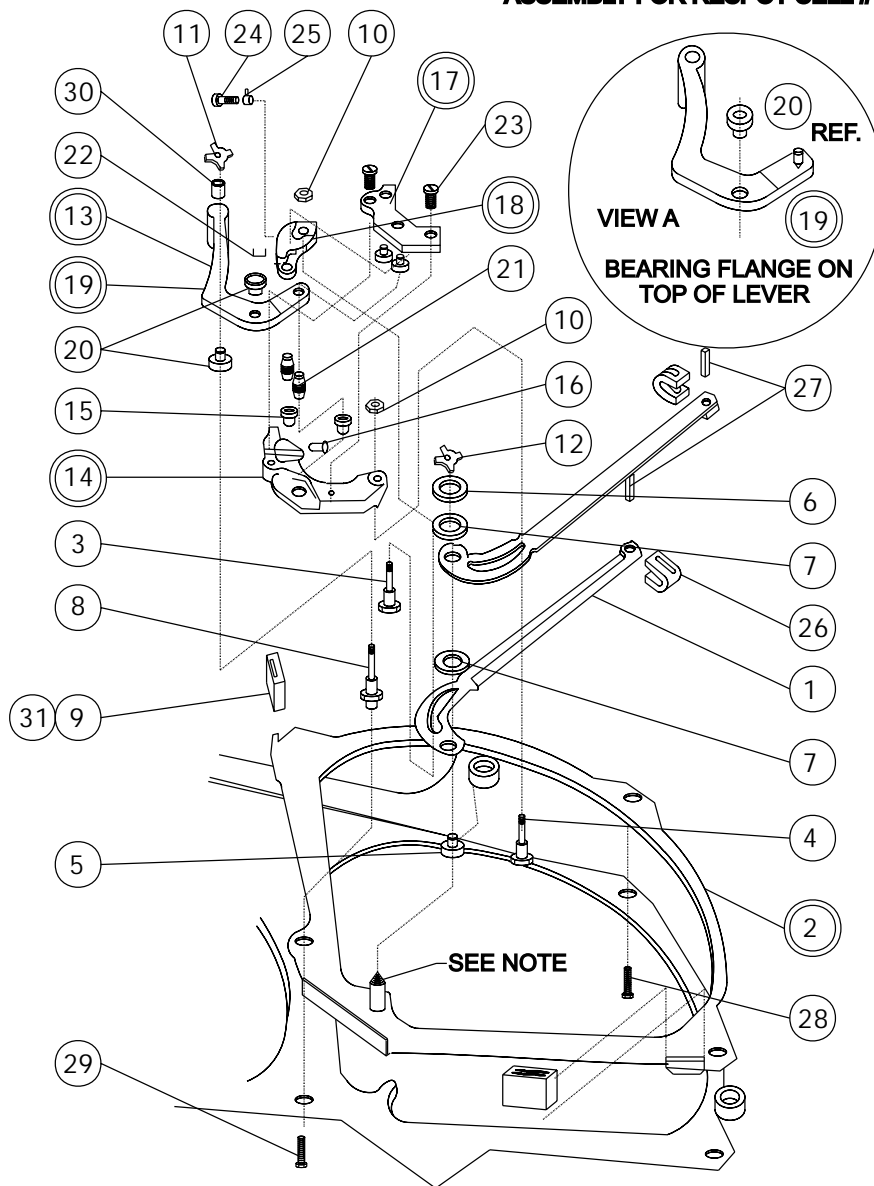
ITEM	PART NUMBER	DESCRIPTION
9	818-227-402	SCREWS, SEMS RD. HD. # 6 32 x 2-1/2 LG.
10	818-233-082	SCREWS, SEMS RD HD # 8 32 x 1/2 LG.
11	835-550-002	NUT, HEX JAM (1/4 - 28)
12	843-127-002	NUT, KEPS (# 6 - 32)
13	843-133-002	NUT, KEPS (# 8 - 32)
14	963-200-002	X-WASHER



ITEM	PART NUMBER	DESCRIPTION
2	844-065-002	NUT-FLEX LOC 3/8 -16
3	070-007-616	PIN 5/16
3a	070-002-681	PIN 1/4
4	070-002-653	BUSHING
5	070-007-622	LEVER RESPOT W FLANGE BUSHING
6	963-400-002	X WASHER 9000-12
7	963-200-002	X WASHER 9000-8
9	810-239-120	SOCKET HEAD CAP SCREW 10-24 X 3/4
10	839-539-002	NUT FLEX LOC
11	070-002-702	STOP RESPOT
12	844-049-002	LOCK NUT STOVER 1/4 -20
13	070-002-577	STUD
14	844-057-002	LOCK NUT STOVER 5/16-18
19	809-865-125	BOLT HEX HD. 3/8-16 X 1
20	807-357-060	SET SCREW 5/16-18 X 3/8
21	000-022-580	PIN STOP
22	070-002-732	SPRING
23	070-002-734	BRACKET
24	070-002-583	LINK ASSEMBLY
25	070-002-715	BUSHING
26	806-249-160	SET SCREW SQUARE HEAD
27	835-549-002	JAM NUT 1/4 -20
28	070-002-733	SCREW
29	070-002-584	PIN BELL CRANK
30	809-849-165	SCREW HEX HD. 1/4 -20 X 1
31	070-002-581	TIE ROD
32	000-022-738	1/4 ROD END RH THREAD

ITEM	PART NUMBER	DESCRIPTION
33	000-022-737	1/4 ROD END LH THREAD
34	835-550-002	NUT JAM 1/4 -28
35	835-650-002	NUT JAM 1/4 -28 LH
36	070-002-728	CAM LINK ASSEMBLY
37	070-002-727	LINK AND BEARING ASSEMBLY
38	070-002-781	NEEDLE BEARING
39	070-001-871	SCREW HEX HD CAP
40	070-002-578	LEVER SPOT- ASSEMBLY
41	070-002-816	CAM FOLLOWER W/ GREASE FITTING
42	840-066-002	NUT FLEX 3/8-24 THIN
43	070-002-745	BUSHING
44	070-002-579	FINGER LEVER ASSEMBLY
45	070-002-590	FINGER LINK
46	070-001-804	PIVOT WELDMENT
47	070-001-807	SPRING
48	070-002-592	PIN
49	843-140-002	NUT KEP 1-32
50	913-423-160	ROLL PIN ESNA 1/8 X 1
51	070-002-585	SHAFT
52	070-002-726	SHAFT
53	840-600-002	NUT FLEX 7/8-14
54	809-865-205	HEX HD CAP SCREW 3/8-16 X 1 1/4
55	701-316-041	THRUST BEARING OILITE
56	070-002-594	TIE ROD ASSEMBLY
58	710-501-009	ALEMITE FITTING
59	070-002-596	SPRING-YOKE RETURN (NOT SHOWN)

ASSEMBLY FOR RESPOT CELL #7 ONLY



32 070-007-200 RESPOT CELL ASSEMBLY

33 070-006-674 RESPOT CELL #7 ASSEMBLY (REV. B)

NOTE:
 FOR THE WELD STUD REPLACEMENT ON RESPOT CELL FRAME USE STUD # 070-002-650 AND 1/4-20 FLEX LOC NUT # 840-049-002

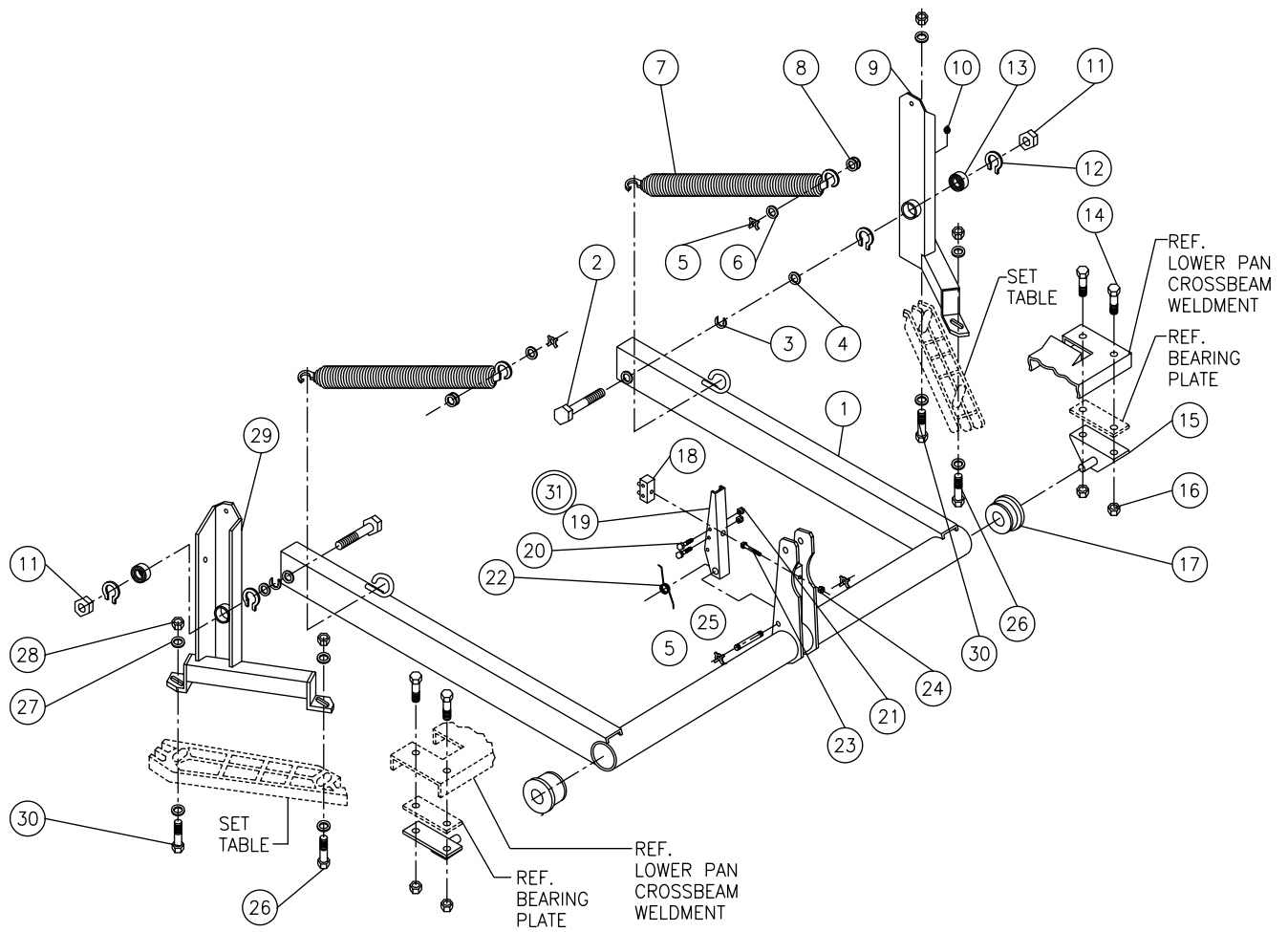
ITEM	PART NUMBER	DESCRIPTION
1	090-004-123	FINGER ASS'Y.(FINGER WITH ITEMS 26 AND 27) 090-004-119 FINGER
2	070-002-792	FRAME RESPOT WELD
3	070-007-194	STUD-LONG
4	070-007-195	STUD SHORT
5	070-007-196	BUSHING
6	070-007-192	WASHER
7	070-007-193	SPACER
8	070-007-617	STUD-PIVOT 5/16 DIA. SHAFT
9	070-002-752	BUMPER EXTRUSION
10	844-049-002	STOVER LOCKNUT 1/4 - 20
11	963-400-002	X-WASHER
12	963-200-002	X-WASHER
13	070-002-647	YOKE RESPOT ASY
14	070-002-629	YOKE RESPOT ASY
15	070-002-630	BUSHING YOKE
16	933-623-050	RIVET-YOKE
17	070-002-644	PLATE-ASS'Y (WITH ITEM 15)
18	090-004-113	ARM - RESPOT YOKE

ITEM	PART NUMBER	DESCRIPTION
19	070-007-618	LEVER ASS'Y. (9 CELLS) WITH ITEM 20 UNDERSIDE AND 21
19A	070-007-620	LEVER ASS'Y # 7 CELL (WITH ITEM 20 ABOVE AND 21)
20	070-002-653	BUSHING (FLANGE)
21	070-002-645	SHAFT
22	070-002-649	SPRING YOKE AR
23	070-002-750	SCREW
24	070-002-632	STOP SCREW
25	070-002-570	INSERT, ASS'Y
26	070-007-197	INSERT
27	913-437-100	SPRING PIN 3/16 DIA x 5/8 LG.
28	808-640-141	SCREW, SOC. HD. CAP # 10 - 32 x 7/8/ LG.
29	808-640-121	SCREW, SOC. HD. CAP # 10 - 32 x 3/4/ LG.
30	070-002-652	BUSHING SLEEVE
31	008-100-413	ADHESIVE (E C 1300)
32	070-007-200	RESPOT CELL ASS'Y (FOR CELLS 1 THRU 6 AND 8 THRU 10)
33	070-006-674	RESPOT CELL ASS'Y (FOR # 7 CELL ONLY)

*Note 1 Item 2, 9, 16, 24, 25, 26, 27 and 31; do not apply to 82-90 XL Machines

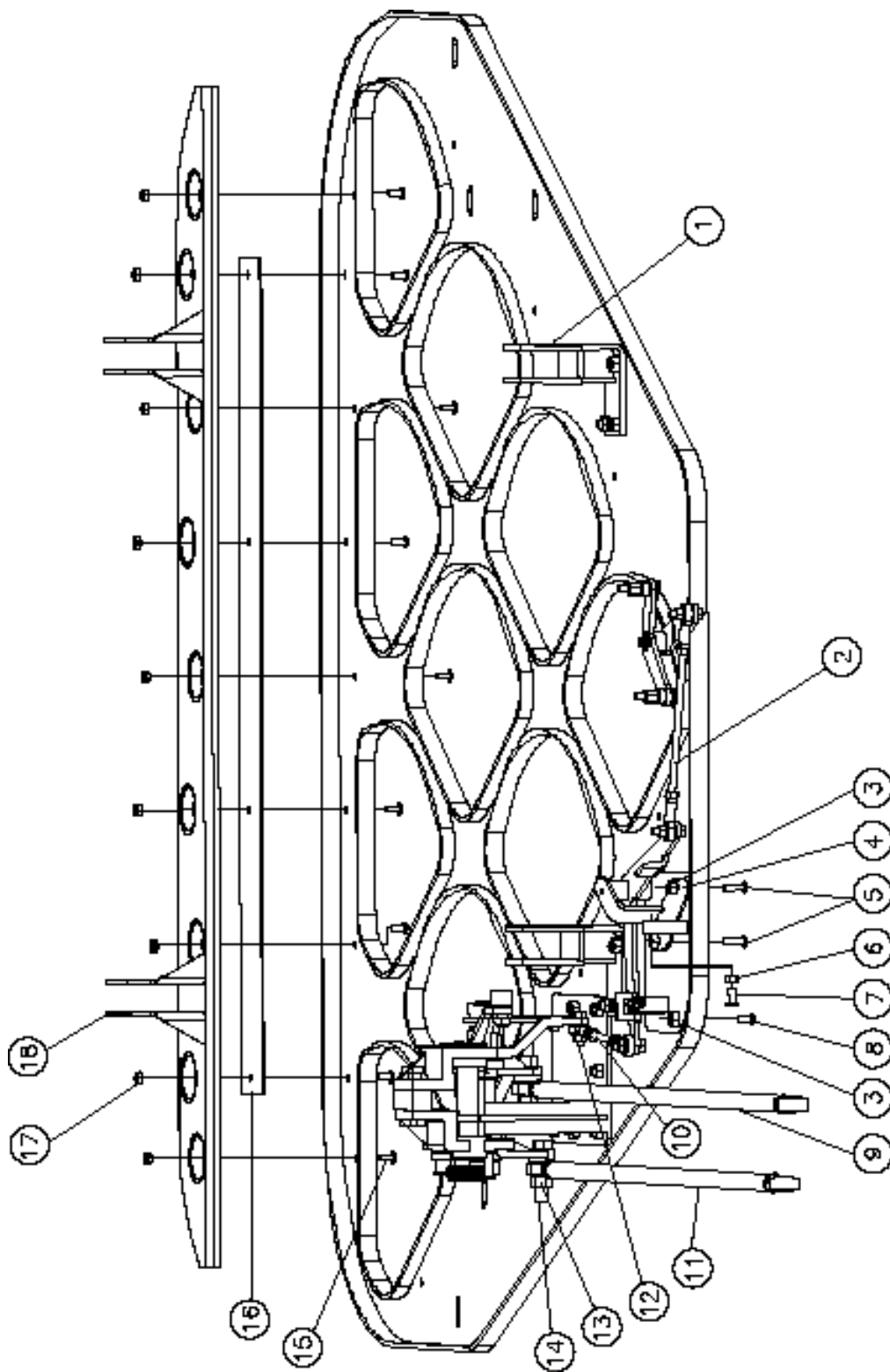
*Note 2 Cement Item 9 To Item 2 with Item 31

*Note 3 Eliminated Respot Cell Wiring after 1/1/1995



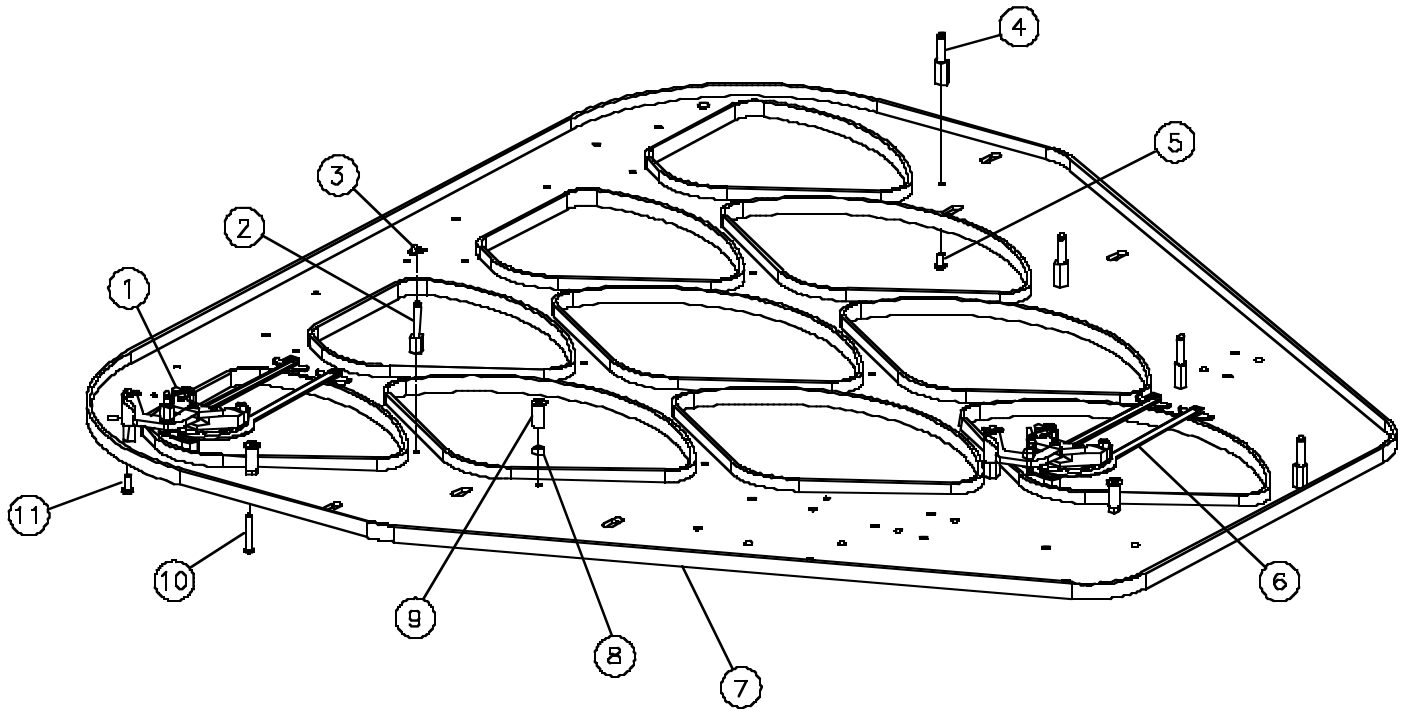
ITEM	PART NUMBER	DESCRIPTION
1	090-005-645	TORQUE TUBE
2	809-881-640	HEX HD. CAP SCREW, 5/8 - 11 X 4 LG.
3	070-007-752	SPACER
4	070-007-302	SPACER
5	963-400-002	X-WASHER
6	945-867-242	PLAIN WASHER, 1.50 O.D. X .406 I.D. X 0.5 THK.
7	000-022-782	SPRING, COUNTER BALANCE
8	070-001-668	SPRING ROLLER
9	070-007-295	TABLE SUPPORT WELDMENT, R.H.
10	710-501-009	GREASE FITTING
11	844-081-002	STOVER LOCK NUT 5/8-11
12	919-000-700	RETAINER RING
13	070-002-698	SPHERICAL BUSHING
14	809-865-245	HEX HD. CAP SCREW 3/8 - 16 X 1 - 1/2 LG.
15	090-004-007	PILLOW BRACKET
16	840-065-002	FLEX LOC NUT, 3/8 - 16
17	090-005-015	TORQUE TUBE BEARING
18	000-026-042	MICROSWITCH

ITEM	PART NUMBER	DESCRIPTION
19	070-001-852	TABLE ARM OVER TRAVEL LEVER
20	818-227-202	SEMS ROUND HD. SCREW 6 - 32 X 1 - 1/4 LG.
21	843-127-002	KEPS HEX LOCK NUT 6 - 32
22	070-001-853	SPRING
23	070-001-854	ADJUSTING SCREW
24	835-549-002	FLEX LOC NUT, 1/4 - 20
25	070-001-591	PIN
26	809-869-245	HEX HD. CAP SCREW, 7/16 - 14 X 1 - 1/2 LG.
27	949-100-002	PLAIN WASHER, 922 O.D. X 468 I.D. X .06 THK
28	844-069-002	STOVER LOCK NUT 7/16 - 14
29	070-007-296	TABLE SUPPORT WELDMENT L.H.
30	809-869-325	HEX HD. CAP SCR, 7/16 - 14 X 2 - 1/2 LG.
	NOT SHOWN	
	612-070-012	COUNTER BALANCE SPRING EYE REPAIR KIT
	610-704-003	TORQUE TUBE KIT + YOKE CONV KIT



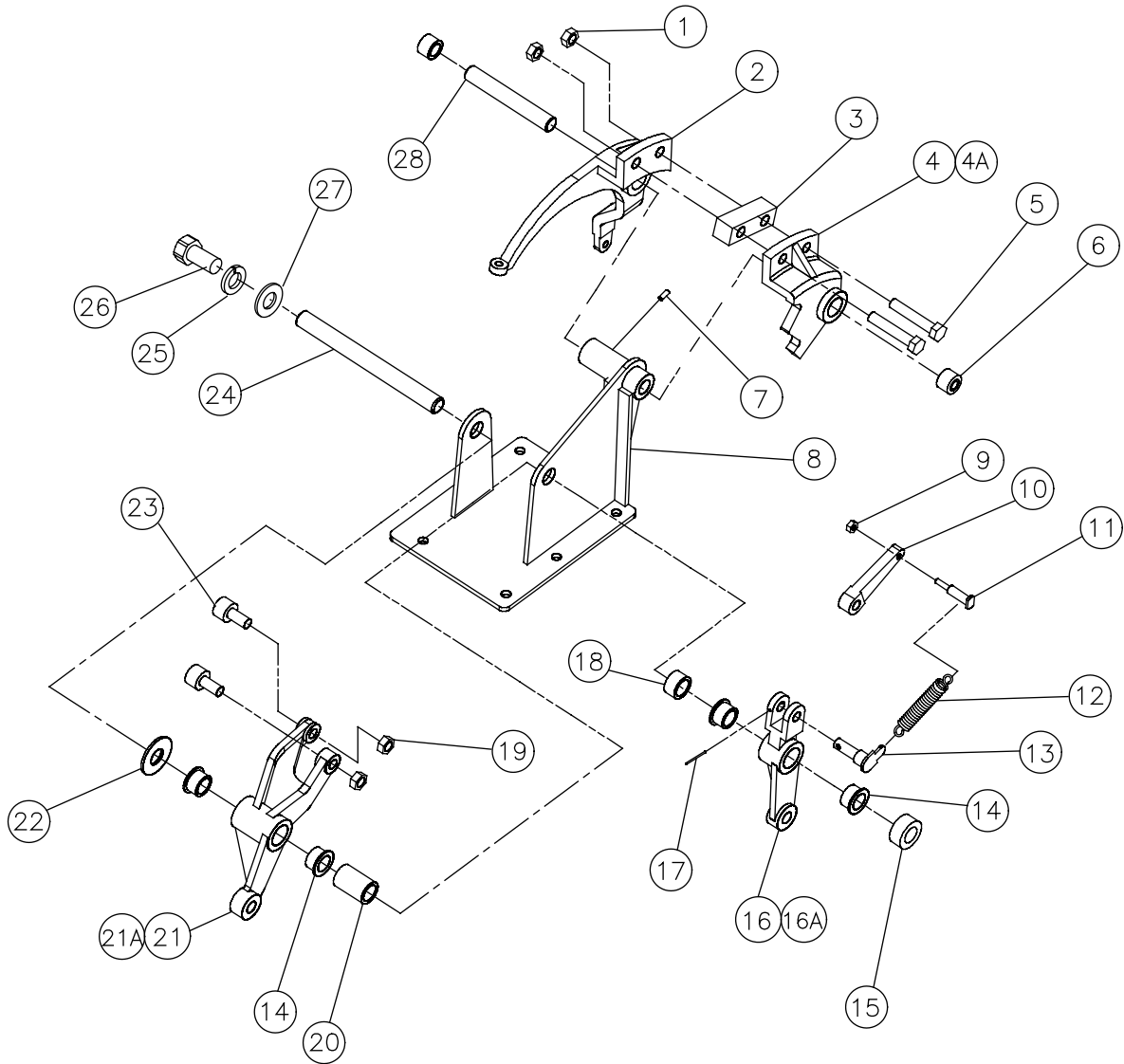
ITEM	PART NUMBER	DESCRIPTION
1	090-005-505	FRONT BRACKET WELDMENT
2	090-005-613	ROD ASSEMBLY, LONG
3	844-057-002	NUT, STOVER LOCK, 5/16 - 18
4	090-005-637	PIVOT SUPPORT BRACKET
5	808-557-140	SCREW, BUTTON HEAD CAP, 5/16 - 18 X 7/8
6	835-549-002	NUT, HEX JAM, 1/4 - 20
7	808-549-200	SCREW, BUTTON HEAD CAP, 1/4 - 20 X 1-1/4
8	808-557-120	SCREW, BUTTON HEAD CAP, 5/16 - 18 X 3/4
9	090-005-651	SPOT TIE ROD

ITEM	PART NUMBER	DESCRIPTION
10	090-005-615	ROD ASSEMBLY, SHORT
11	090-005-251	RESPOT TIE ROD
12	809-849-165	SCREW, HEX, 1/4 - 20 X 1
13	844-069-002	NUT, STOVER LOCK, 7/16 - 14
14	809-869-285	SCREW, HEX, 7/16 - 14 X 1-1/2
15	808-549-120	SCREW, BUTTON HEAD CAP, 1/4 - 20 X 3/4
16	090-005-656	REAR BRACKET SHIM
17	844-049-002	NUT, STOVER LOCK, 1/4 - 20
18	090-005-536	MOUNTING BRACKET



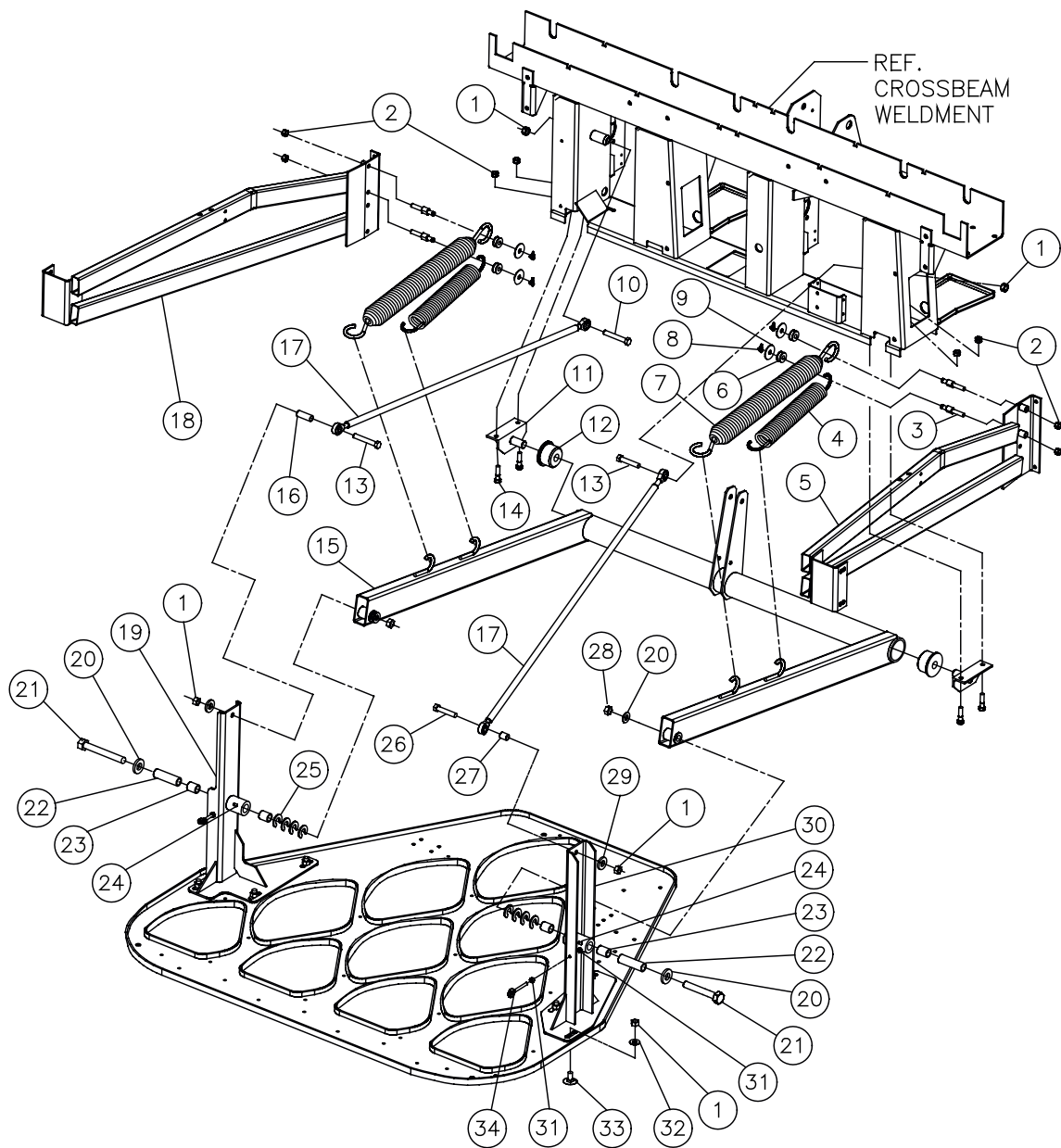
ITEM	PART NUMBER	DESCRIPTION
1	090-005-540	RESPOT CELL ASSY (PINS 7 THROUGH 10)
2	090-005-504	RESPOT PIVOT
3	963-400-002	X-WASHER
4	090-005-503	LINK CONNECTOR PIVOT
5	809-149-100	SCREW, BUTTON HEAD CAP, 1/4 - 20 X 5/8
6	090-005-544	RESPOT CELL ASSY (PINS 1 THROUGH 6)

ITEM	PART NUMBER	DESCRIPTION
7	090-005-502	TABLE
8	844-049-002	NUT, STOVER LOCK, 1/4 - 20
9	855-349-010	WELL NUT, 1/4 - 20 X 1
10	801-149-247	CARRIAGE BOLT, 1/4 - 20 X 1-1/2
11	801-149-100	CARRIAGE BOLT, 1/4 - 20 X 5/8



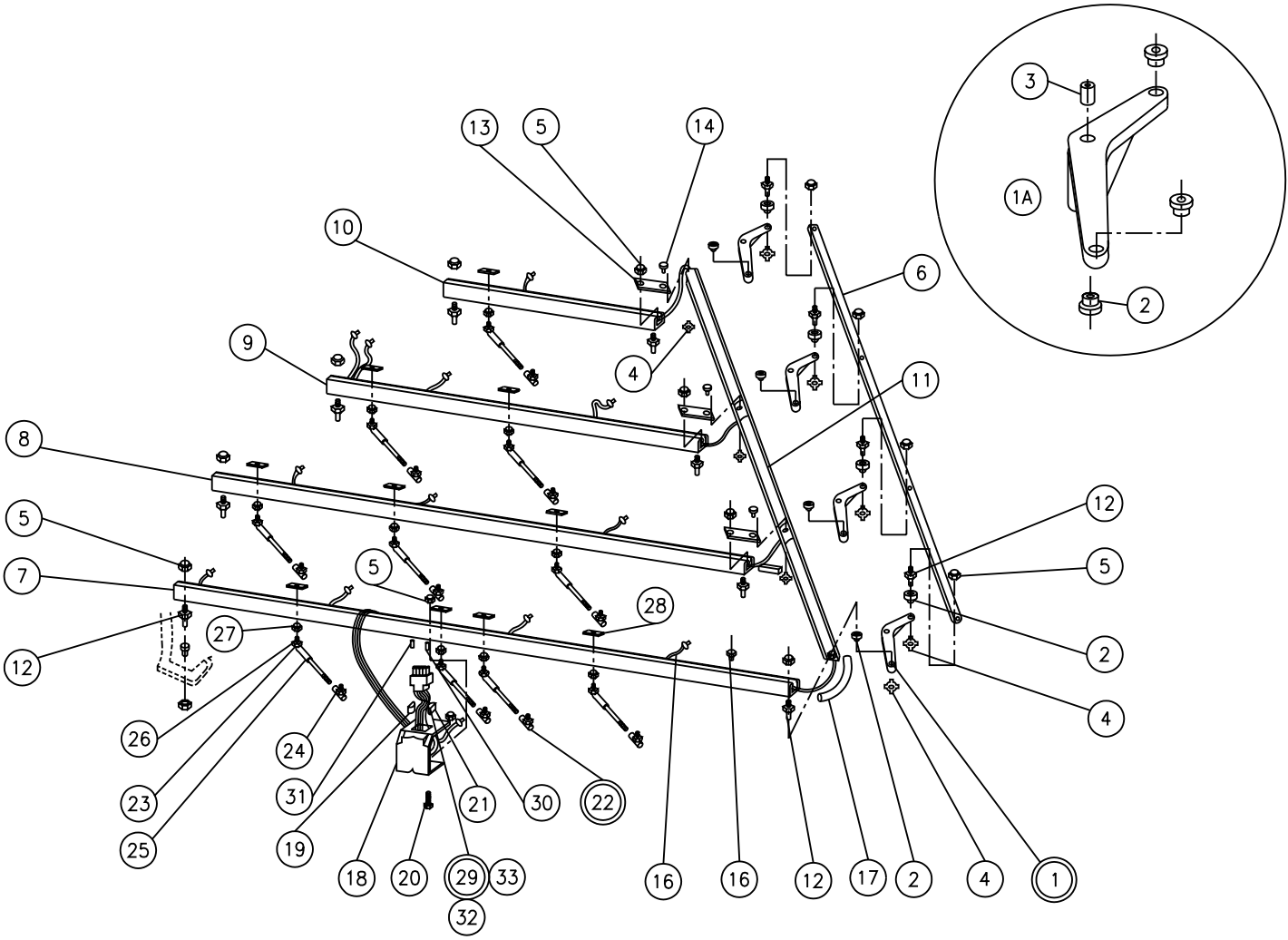
ITEM	PART NUMBER	DESCRIPTION
1	844-065-002	NUT, STOVER LOCK, 3/8 - 16
2	070-002-725	CAM LINK
3	090-005-520	SPACER
4	070-002-724	SHIFTER LINK
4A	070-002-727	SHIFTER LINK & BEARING ASSY (INCL. 4 & 6)
5	809-865-325	SCREW, HEX, 3/8 - 16 X 2
6	070-002-781	NEEDLE BEARING
7	807-249-060	SETSCREW, 1/4 - 20 X 3/8
8	090-005-526	TIE ROD BRACKET
9	843-140-002	NUT, HEX LOCK, 10 - 32
10	070-002-590	FINGER LINK
11	090-005-629	PIN
12	070-001-807	RESPOT LEVER SPRING
13	090-005-631	PIVOT WELDMENT
14	070-002-745	FLANGED BEARING, .6265 X .814 X 1/2
15	000-021-423	SHAFT COLLAR

ITEM	PART NUMBER	DESCRIPTION
16	070-002-589	FINGER LEVER
16A	070-002-579	FINGER LEVER ASSY (INCLUDES 14 & 16)
17	913-423-120	SPRING PIN
18	090-005-533	SPACER
19	840-066-002	NUT, FLEX LOCK, THIN, 3/8 - 24
20	090-005-532	SPACER
21	070-002-599	SPOT LEVER
21A	070-002-578	SPOT LEVER ASSEMBLY (INCL. 14 & 21)
22	948-983-212	WASHER, FLAT, 21/32 X 1-5/16
23	070-002-816	CAM FOLLOWER
24	090-005-655	SHAFT
25	951-164-002	WASHER, SPLIT LOCK, 3/8
26	809-865-125	SCREW, HEX, 3/8 - 16 X 3/4
27	948-767-132	WASHER, FLAT, 13/32 X 13/16 X 1/16
28	090-005-521	SHAFT, SHORT SIDE



ITEM	PART NUMBER	DESCRIPTION
1	838-369-002	NUT, CENTER PUNCH LOCK, 7/16 - 14
2	839-665-002	NUT, STOVER LOCK, 3/8 - 16
3	090-002-028	SPRING ROLLER PIN
4	090-005-662	COUNTERBALANCE SPRING, SMALL
5	090-005-646	SIDE BRACE, L.H.
6	090-003-795	COUNTERBALANCE SPRING ROLLER
7	000-022-782	COUNTERBALANCE SPRING
8	963-400-002	X-WASHER, 3/16
9	945-867-242	WASHER, FLAT, .406 X 1-1/2 X .05
10	809-869-365	SCREW, HEX, 7/16 - 14 X 2.25
11	090-004-007	TUBE HANGER BRACKET
12	090-005-015	BEARING TORQUE TUBE
13	809-869-520	SCREW, HEX, 7/16 - 14 X 3.25
14	809-865-245	SCREW, HEX, 3/8 - 16 X 1-1/2
15	090-005-645	TORQUE TUBE WELDMENT
16	090-005-597	LEVELING SPACER
17	090-005-253	TIE ROD ASSEMBLY

ITEM	PART NUMBER	DESCRIPTION
18	090-005-647	SIDE BRACE, R.H.
19	090-005-514	TABLE SUPPORT WELDMENT, R.H.
20	948-983-212	WASHER, 21/32 X 1-5/16
21	070-006-048	BOLT, SPECIAL
22	090-005-654	SLEEVE, UPRIGHT
23	900-114-101	SLEEVE BEARING .877 X 1.128 X 5/8
24	710-501-009	GREASE FITTING
25	070-007-752	SPACER
26	809-869-325	SCREW, HEX, 7/16 - 14 X 2
27	070-007-303	LEVELING ROD SPACER
28	844-081-002	NUT, STOVER LOCK, 5/8 - 11
29	949-100-002	WASHER, 59/64 X 15/32 X 1/16
30	090-005-509	TABLE SUPPORT WELDMENT, L.H.
31	835-549-002	NUT, HEX JAM, 1/4 - 20
32	947-271-967	WASHER, FLAT, 7/16
33	801-369-161	CARRIAGE BOLT, 7/16 - 14 X 1
34	879-849-487	EYEBOLT, 1/4 - 20 X 3



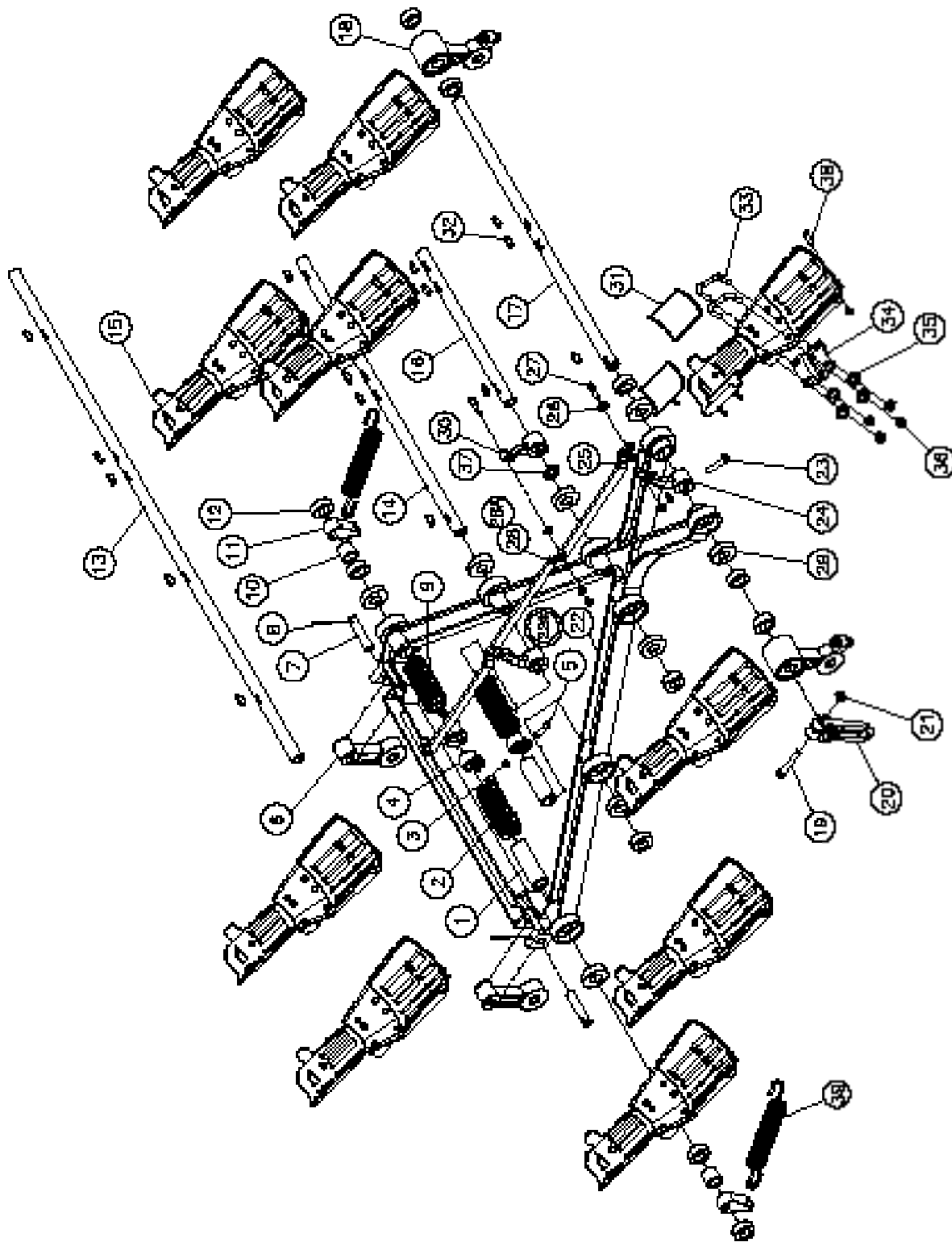
ITEM	PART NUMBER	DESCRIPTION
1	070-007-623	LEVER RESPOT ASS'Y (LEVER, WITH ITEM 2)
1A	070-002-678	LEVER RESPOT ASS'Y (LEVER, WITH ITEMS 2 & 3)
2	070-002-653	BUSHING FLANGED RESPOT LEVER
3	070-002-652	BUSHING SLEEVE (USED IN ITEM 1A)
4	963-200-002	X-WASHER
5	844-049-002	STOVER NUT 1/4 - 20
6	070-002-671	LINK RESPOT CONN.
7	090-002-767	LINK 7 PIN
8	090-002-768	LINK 8 PIN
9	090-002-769	LINK 9 PIN
10	090-002-770	LINK 10 PIN
11	070-002-766	LINK - WIREWAY
12	070-002-774	PIN
13	070-002-771	PLATE
14	070-002-772	PIN
16	070-002-773	GROMMET
17	770-008-009	POLY SPIRAP 5"
18	090-002-538	TABLE CONNECTOR BRACKET
19	000-025-556	LOCKING SPRING CATCH
20	813-949-082	HEX HD. SCREW, 1/4 - 20 x 1/2 LG.
21	834-821-000BG	NUT-HX 4-40 BRASS (BAG 10)
22	070-002-814	LINK ASSEMBLY
22A	090-002-020	LINK BODY
23	730-036-025	CLIP (SILVER)

ITEM	PART NUMBER	DESCRIPTION
23A	730-035-025	CLIP (BROWN)
24	730-023-015	SHELL-CUP ASS'Y
25	070-002-814	LINK ASY.
26	730-027-019	STUD
27	070-002-815	SPACER, BUSHING
28	724-507-002	TINNERMAN NUT
29	070-005-602	CABLE
30	000-028-442	GUIDE PIN
31	000-028-441	GUIDE SOCKET
32	000-025-079	BLOCK-MALE 14 PIN
33	760-011-197	PIN-WIRE TERMINAL

82-90 XL MACHINES

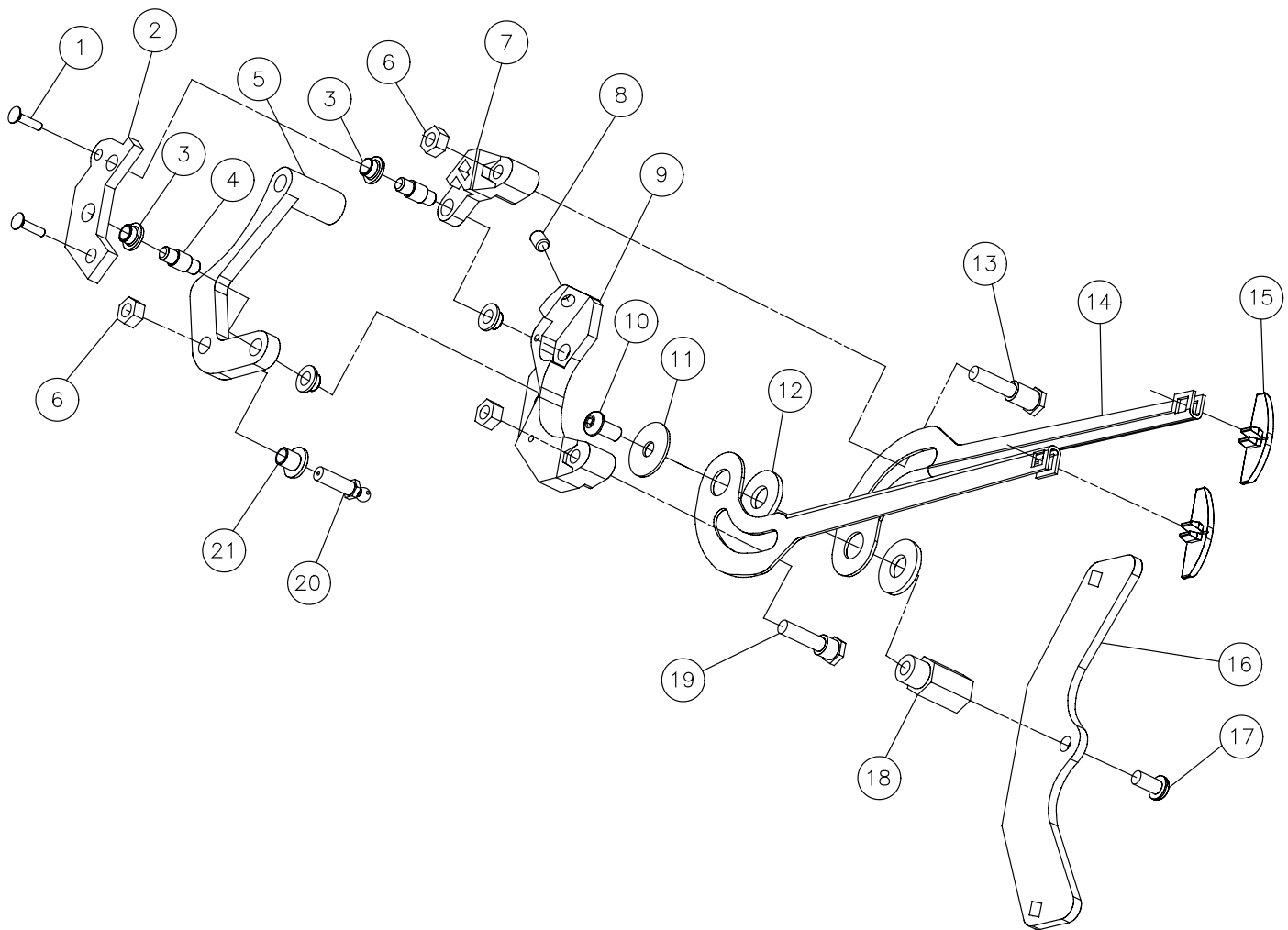
ELIMINATED WIRING IN TABLE ON MACHINES PRODUCED AFTER 1/1/95. TABLE LINK PART NUMBERS FOR THIS CHANGE ARE AS FOLLOW:

7A	090-002-767	LINK
8A	090-002-768	LINK
9A	090-002-769	LINK
10A	090-002-770	LINK
11A	070-002-766	LINK TABLE ASY.



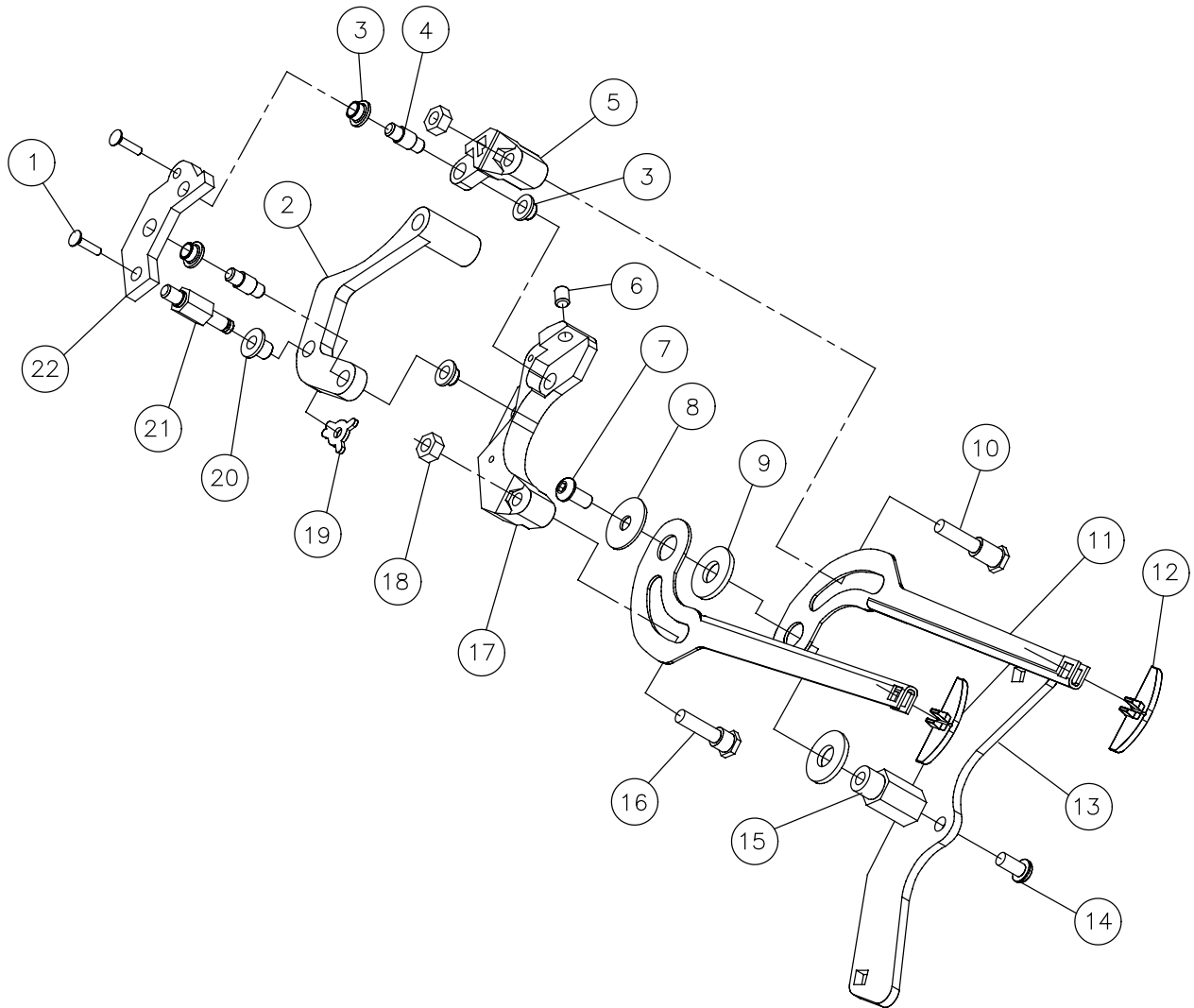
ITEM	PART NUMBER	DESCRIPTION
1	070-002-719	SPRING SLEEVE
2	070-002-688	SPRING, R.H. WOUND, L.H. SIDE
3	844-049-002	NUT, STOVER LOCK, 1/4 - 20
4	090-004-033	CLAMP
5	809-849-165	SCREW, HEX, 1/4 - 20 X 1
6	090-005-548	REAR LEG ASSEMBLY
7	070-002-609	PIN
8	913-437-240	SPRING PIN, 3/16 X 1-1/2
9	070-002-689	SPRING, L.H. WOUND, R.H. SIDE
10	900-114-161	BEARING, 7/8 X 1-1/8 X 1
11	090-005-577	SPRING HOOK
12	000-025-549	LOCK COLLAR WITH SETSCREW
13	090-005-578	SHAFT #4
14	070-002-617	SHAFT #3
15	070-002-809	SPOTTING CUP
16	070-002-616	SHAFT #2
17	090-005-553	SHAFT #1
18	090-005-545	FRONT LEG ASSEMBLY
19	809-865-365	SCREW, HEX, 3/8 - 16 X 1-1/2
20	090-005-554	ARM ACTUATOR
21	839-665-002	NUT, FLEX LOCK, 3/8 - 16

ITEM	PART NUMBER	DESCRIPTION
22	070-002-683	YOKE
22a	070-002-623	YOKE AND BEARING ASSY.
23	809-865-245	SCREW, HEX, 3/8 - 16 X 1-1/2
24	070-002-602	INNER LEVER
25	900-205-053	FLANGED BEARING, .315 x .44 x 5/16
26	701-310-036	THRUST BEARING
27	070-002-723	PIN
28	070-002-611	LINK
28A	070-002-612	LINK ASSEMBLY (includes: 25 & 28)
29	190-001-490	BALL BEARING, .875 X 1.875 X .5
30	070-002-603	OUTER LEVER
31	070-002-784	SPOTTING CUP LINER
32	907-000-600	KEY
33	070-002-787	U-BOLT
34	070-002-788	CAP
35	948-761-112	WASHER, FLAT, 11/32 X 1-1/16 X 1/16
36	844-057-002	NUT, STOVER LOCK, 5/16 - 18
37	070-002-620	SPACER
38	810-249-200	SCREW, SOCKET HEAD CAP, 1/4 - 20 X1-1/4
39	000-026-032	SPRING



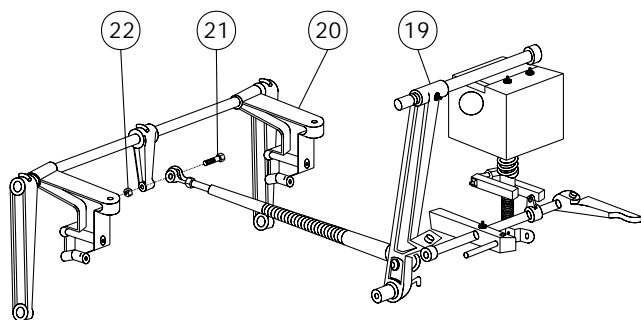
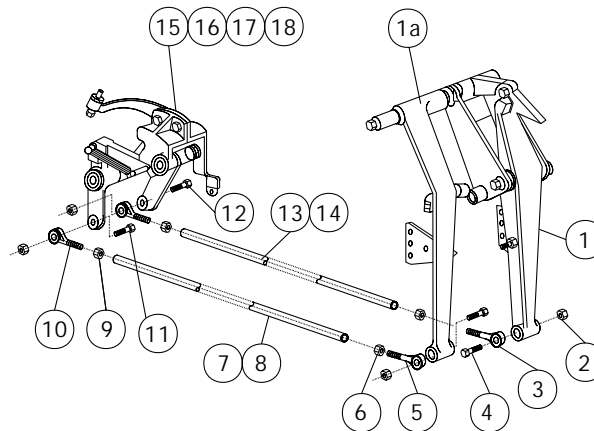
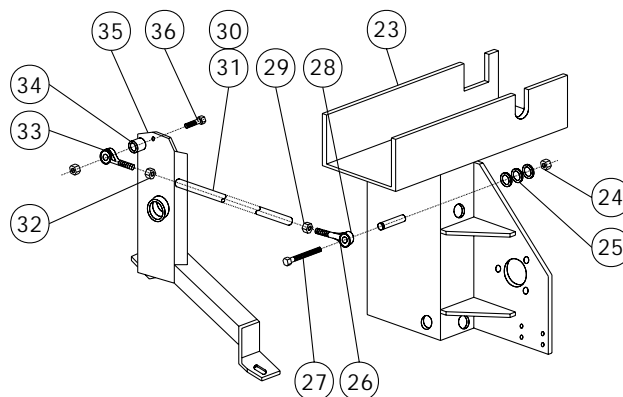
ITEM	PART NUMBER	DESCRIPTION
1	070-002-750	SCREW, FLAT HEAD
2	070-002-695	YOKE PLATE
3	070-002-630	FLANGED BEARING, .252 X .315 X .218
4	070-002-645	LEVER ASSEMBLY SHAFT
5	070-002-651	RESPOT LEVER
6	844-049-002	NUT, STOVER LOCK, 1/4 - 20
7	090-004-113	RESPOT YOKE ARM
8	807-650-050	SETSCREW, 1/4 - 28 X 5/16
9	090-004-118	RESPOT YOKE
10	808-549-080	SCREW, BUTTON HEAD CAP, 1/4 - 20 X 1/2
11	070-007-192	WASHER

ITEM	PART NUMBER	DESCRIPTION
12	070-007-193	RESPOT CELL SPACER
13	090-005-640	STUD, LONG
14	090-004-119	RESPOT FINGER
15	090-005-617	FINGER INSERT
16	090-005-632	FINGER PIVOT WING
17	809-149-100	SCREW, BUTTON HD w/PATCH, 1/4 - 20 X 5/8
18	090-005-522	RESPOT FINGER BUSHING
19	070-007-195	STUD, SHORT
20	730-027-019	STUD, BALL HEAD
21	070-002-653	FLANGED BEARING, .252 X .315 X .38



ITEM	PART NUMBER	DESCRIPTION
1	070-002-750	SCREW, FLAT HEAD
2	070-002-651	RESPOT LEVER
3	070-002-630	FLANGED BEARING, .252 X .315 X .218
4	070-002-645	LEVER ASSEMBLY SHAFT
5	090-004-113	RESPOT YOKE ARM
6	807-650-050	SETSCREW, 1/4 - 28 X 5/16
7	808-549-080	SCREW, BUTTON HEAD CAP, 1/4 - 20 X 1/2
8	070-007-192	WASHER
9	070-007-193	RESPOT CELL SPACER
10	090-005-640	STUD, LONG
11	090-004-119	RESPOT FINGER

ITEM	PART NUMBER	DESCRIPTION
12	090-005-617	FINGER INSERT
13	090-005-632	FINGER PIVOT WING
14	809-149-100	SCREW, BUTTON HD w/PATCH, 1/4 - 20 X 5/8
15	090-005-522	RESPOT FINGER BUSHING
16	070-007-195	STUD, SHORT
17	090-004-118	RESPOT YOKE
18	844-049-002	NUT, STOVER LOCK, 1/4 - 20
19	963-200-002	X-WASHER
20	070-002-653	FLANGED BEARING, .252 X .315 X .38
21	090-005-571	PIN, 8-9-10 LINKS
22	070-002-695	YOKE PLATE

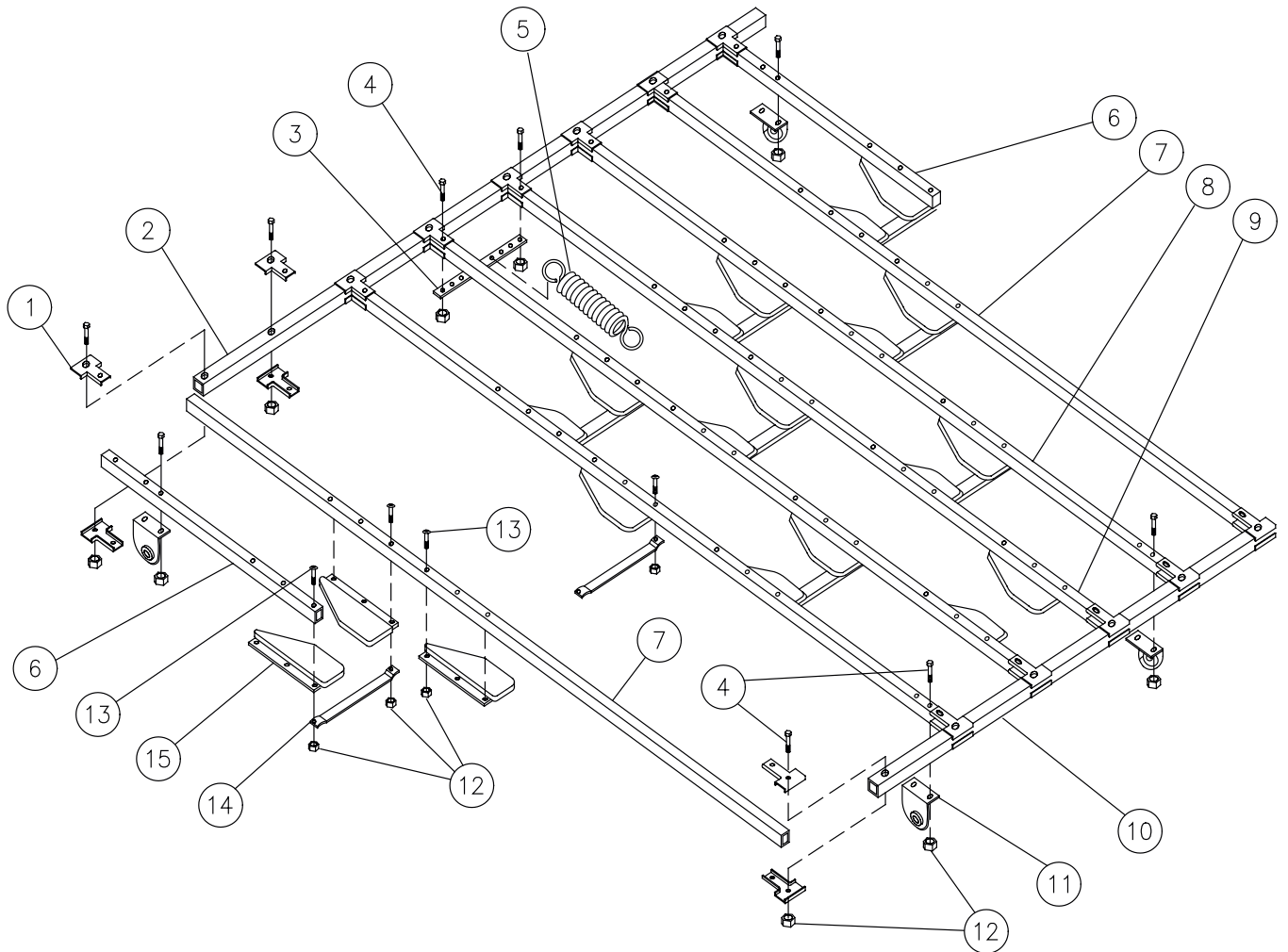
**SHUTTLE TIE ROD ASSEMBLY****SPOT & RESPOT TIE ASSEMBLY****TABLE ROD ASSEMBLY**

ITEM	PART NUMBER	DESCRIPTION
1	070-006-481	SPOT LINK ASSEMBLY
1A	070-006-492	RESPOT ARM LINK ASSEMBLY
2	844-069-002	STOVER LOCK NUT, 7/16 - 14
3	000-025-004	END FITTING, R.H.
3A	090-005-264	END FITTING, R.H.
4	809-869-365	HEX HD. CAP SCREW 7/16 - 14 x 2 - 1/4 LG.
5	710-501-013	GREASE FITTING
6	835-570-002	HEX JAM NUT, 7/16 - 20 R.H.
7	070-001-601	TIE ROD ASSY RESPOT
7A	090-005-251	TIE ROD ASSY RESPOT
8	070-001-606	RESPOT TIE ROD
9	835-670-002	HEX JAM NUT 7/16 - 20, L.H.
10	090-005-265	END FITTING L.H.
10A	000-025-005	END FITTING L.H.
11	809-869-245	HEX HD. CAP SCREW 7/16 - 14 x 1 - 1/2 LG.
12	809-869-285	HEX HD. CAP SCREW 7/16 - 14 x 1 - 3/4 LG.
13	090-005-252	TIE ROD ASSEMBLY SPOT
14	090-005-252	TIE ROD ASY SPOTTING
15	070-002-578	SPOT LEVER ASSEMBLY
16	070-002-727	SHIFTER LINK ASSEMBLY
17	070-002-728	CAM LINK ASSEMBLY
*18	070-002-595	RESPOT LINK ASSEMBLY (OBS)

ITEM	PART NUMBER	DESCRIPTION
**19	090-003-655	SOLENOID OPERATED SHUTTLE ASSEMBLY (OBS)
20	070-006-358	BRACKET ASY FOR BIN
21	809-865-245	HEX HD. CAP SCREW, 3/8 - 16 x 1-1/2 LG
22	844-065-002	FLEX LOC NUT, 3/8 - 16
23	090-004-001	CROSSBEAM WELDMENT
24	844-069-002BG	NUT-STVR-LK 7/16 - 14 (BAG 10)
25	949-100-002	PLAIN WASHER, 15/32 I.D. x 59/64 O.D. x 1/16 THK
26	710-501-013	GREASE FITTING
27	809-869-405	HEX HD. CAP SCREW R.H. 7/16 - 14 x 2 - 1/2/LG
28	000-025-004	END FITTING R.H.
29	835-570-002	HEX JAM NUT, 7/16 - 20 R.H.
30	070-001-557	TABLE TIE ROD
31	090-005-253	TIE ROD ASY
32	835-670-002	HEX JAM NUT, 7/16 - 20 L.H.
33	000-025-005	END FITTING L.H.
34	070-007-303	SPACER, 7/16 I.D.
35	070-007-295	TABLE SUPPORT WELDMENT R.H.
35A	070-007-296	TABLE SUPPORT WELDMENT L.H. (NOT SHOWN)
36	809-869-325	HEX HD. CAP SCREW, 7/16 - 14x2 LG

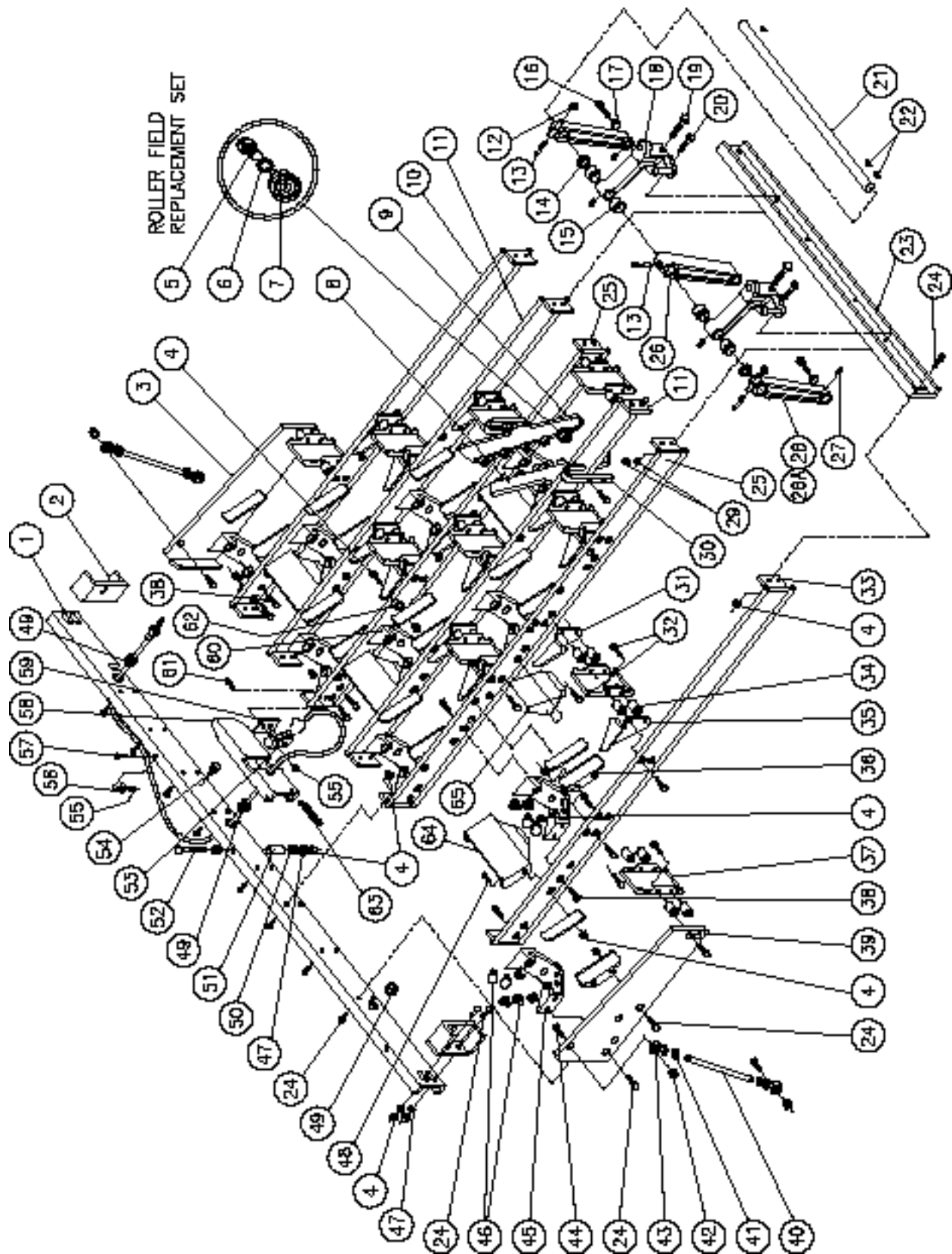
*Note - See page 14 for parts listing

**Note - See page 8 for parts listing



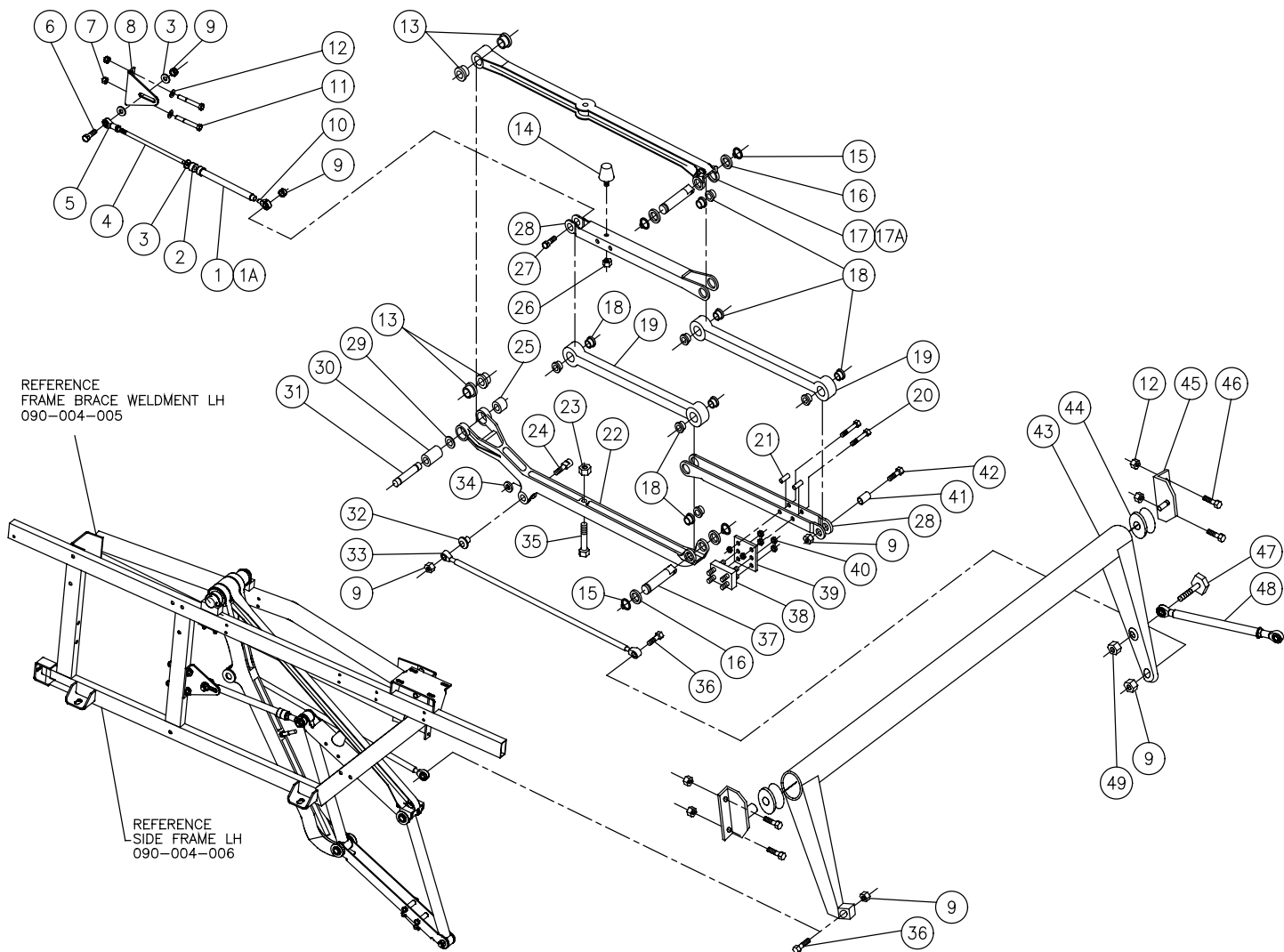
ITEM	PART NUMBER	DESCRIPTION
1	070-006-261	END CLAMP
2	070-006-253	CROSS TUBE, LONG
3	070-006-266	BIN SPRING STRAP
4	809-849-285	SCREW
5	070-006-447	SPRING, SHUTTLE ASSEMBLY
6	070-006-254	SIDE TUBE, SHORT
7	070-006-256	OUTSIDE TUBE
8	070-006-255	SIDE TUBE, LONG

ITEM	PART NUMBER	DESCRIPTION
9	070-006-257	TUBE, CENTER
10	070-006-258	CROSS TUBE, SHORT
11	070-006-259	SHUTTLE ARM BRACKET
12	844-049-002	NUT
13	809-849-245	SCREW, SOC BT HD
14	070-006-268	STRAP
15	070-006-265	PIN HOLDER



ITEM	PART NUMBER	DESCRIPTION
1	070-006-360	CHANNEL WELDMENT, LONG
2	070-006-371	BIN ASSEMBLY SUPPORT BRACKET
3	070-006-369	PIN GUIDE, R.H.
4	838-670-006	NUT, HEX, M6
5	813-540-082	SCREW, TRUSS HEAD, 10 - 32 X 1/2
6	957-100-002	WASHER, EXTERNAL TOOTH, #10
7	000-026-251	BEARING ROLLER, THREADED (field use only)
8	070-006-386	TRACK ASSEMBLY, L.H.
9	070-006-388	TRACK ASSEMBLY, R.H.
10	070-006-376	STRINGER, OUTSIDE, R.H.
11	070-006-373	STRINGER, CENTER, L.H.
12	831-565-002	NUT, HEX, 3/8 - 16
13	070-006-403	CLAMP STUD
14	701-329-050	THRUST BEARING, .8905 X 1.5 X 1/8
15	900-114-101	SLEEVE BEARING, .877 X 5/8
16	809-865-205	SCREW, HEX, 3/8 - 16 X 1-1/4
17	000-029-614	UNIBALL BEARING
18	070-006-358	BRACKET ASSEMBLY
19	809-849-485	SCREW, HEX, 1/4 - 20 X 3
20	809-849-285	SCREW, HEX, 1/4 - 20 X 1-3/4
21	070-006-402	SHAFT, BIN ASSEMBLY
22	907-000-600	KEY
23	070-006-363	CHANNEL, SHORT
24	709-013-063	SCREW, HEX, M6 X 12 mm
25	070-006-372	STRINGER, CENTER, R.H.
26	070-006-408	LEVER
27	710-501-007	GREASE FITTING
28	070-006-445	ARM CASTING
28A	070-006-429	ARM ASSEMBLY (includes 17, 27 & 28)
29	844-049-002	NUT, STOVER LOCK, 1/4 - 20
30	070-006-389	PIN GUIDE, #1 PIN
31	070-006-380	PIN GUIDE, #4
32	809-849-085	SCREW, HEX, 1/4 - 20 X 1/2

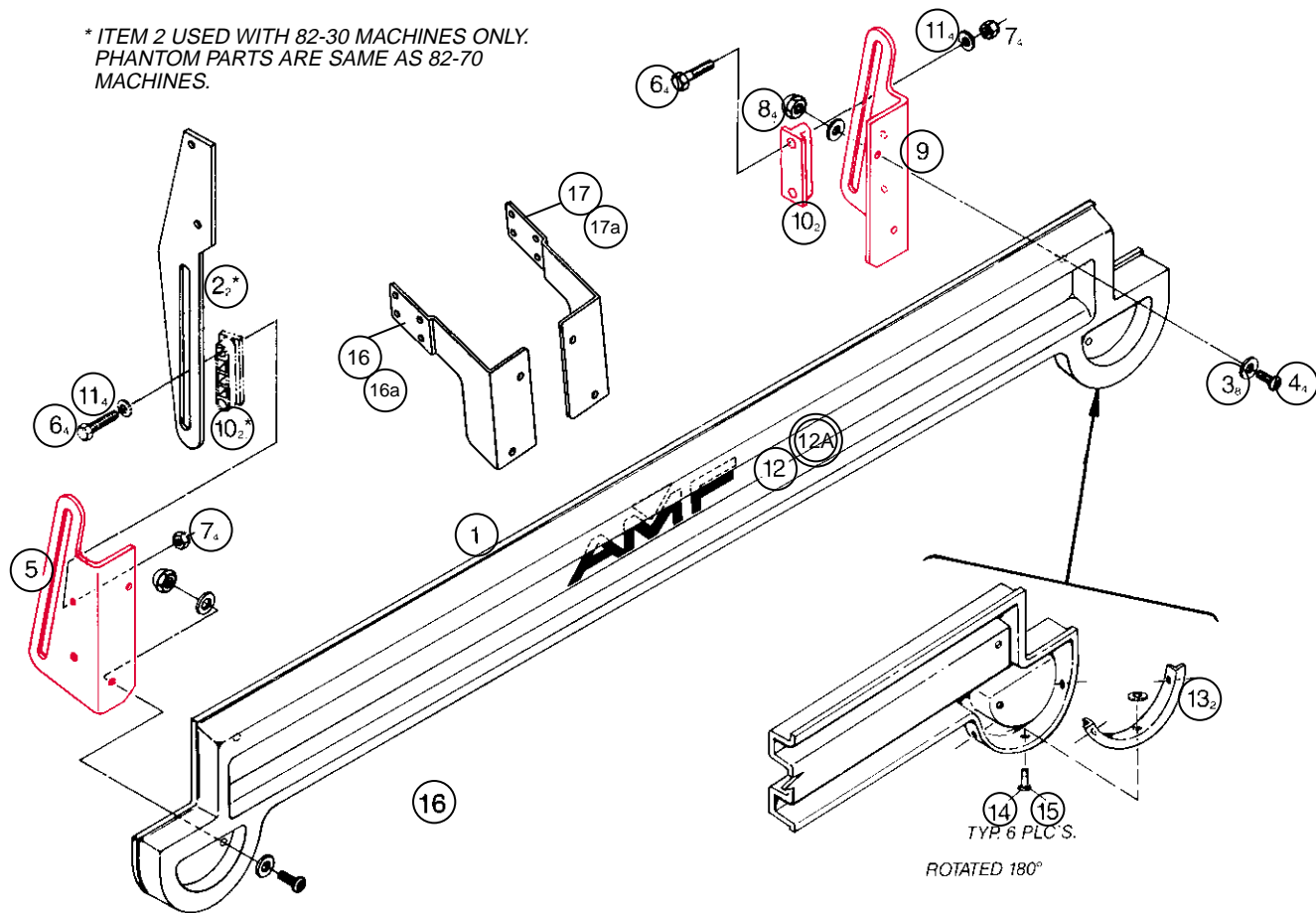
ITEM	PART NUMBER	DESCRIPTION
33	070-006-377	STRINGER, OUTSIDE, L.H.
34	070-006-354	SHOCK MOUNT, BIN ASSEMBLY
35	070-006-381	PIN GUIDE, #6
36	070-006-353	PIN GUIDE
37	070-006-364	SPACER, PIN BUTT GUIDE
38	709-013-066	SCREW, BUTTON HEAD, M6 X 12 mm
39	070-006-370	PIN GUIDE, L.H.
40	070-006-351	ROD, BIN ASSEMBLY
41	835-566-002	NUT, HEX JAM, 3/8 - 24
42	844-065-002	NUT, HEX LOCK, 3/8 - 16
43	090-005-250	ROD END
44	809-865-165	SCREW, HEX, 3/8 - 16 X 1
45	070-006-359	BRACKET, BIN ASSEMBLY
46	070-006-142	BUMPER
47	785-502-207	FLAT WASHER, M6
48	709-013-064	SCREW, HEX, M6 X 16 mm
49	711-516-020	GROMMET
50	900-206-091	FLANGED BEARING, .378 X .503 X 9/16
51	070-006-108	SPACER
52	709-013-067	SCREW, HEX, M6 X 100 mm
53	000-026-043	MICROSWITCH
54	070-006-142	BUMPER
55	843-127-002	NUT, HEX LOCK, 6 - 32
56	744-107-013	CLAMP, NYLON, 1/8"
57	818-227-082	SCREW, ROUND HEAD, 8 - 32 X 1/2, SEMS
58	070-006-356	SWITCH ACTUATOR
59	000-021-575	INSULATOR
60	070-006-384	BRACKET, #5 PIN ONLY
61	818-227-162	SCREW, ROUND HEAD, 6 - 32 X 1, SEMS
62	070-006-390	SPACER
63	090-002-029	SPRING
64	070-006-366	SPACER/HEAD GUIDE
65	070-006-365	SPACER/HEAD GUIDE, PINS 4 & 6



ITEM	PART NUMBER	DESCRIPTION
1	070-007-278	TUBE WELDMENT
1A	090-006-145	SWEEP LINK SLIDE ASSY (incl. 1, 2, 3, 4, 5, & 11)
2	070-007-283	BUMPER
3	949-100-002	WASHER, 59/64 X 15/32
4	070-007-276	ROD
5	090-005-257	ROD END
6	809-869-245	BOLT, 7/16-14 X 1.5
7	844-065-002	NUT, STOVER LOCK, 3/8 - 16
8	090-006-128	SWEEP LINK BRACKET
9	838-369-002	NUT, STOVER LOCK, 7/16 - 14
10	090-006-138	ROD END, 7/16 - 20 X .5
11	809-865-445	SCREW, HEX, 3/8 - 16 X 2.75
12	948-767-132	WASHER, 13/32 X 13/16 X 1/16
13	000-023-104	FLANGED BEARING, 1.25 X 1.5 X .953
14	090-006-137	BUMPER
15	919-005-600	RETAINING RING
16	070-006-121	WASHER
17	070-003-239	SWEEP LINK
17A	090-006-139	STABILIZER LINK ASSY (incl. 13, 17 & 18)
18	000-023-114	FLANGED BEARING, .628 X .81 X .06
19	090-006-133	MIDDLE LINK, STEEL
20	809-857-365	SCREW, HEX, 5/16 - 18 X 2 1/4
21	090-006-125	LOWER STEEL SWEEP SPACER
22	090-006-140	DRIVE LINK ASSY (incl. 13, 18, 22, 23 & 35)
23	839-665-002	NUT, FLEX LOCK, 3/8 - 16
24	090-006-134	DRIVE LINK PIN

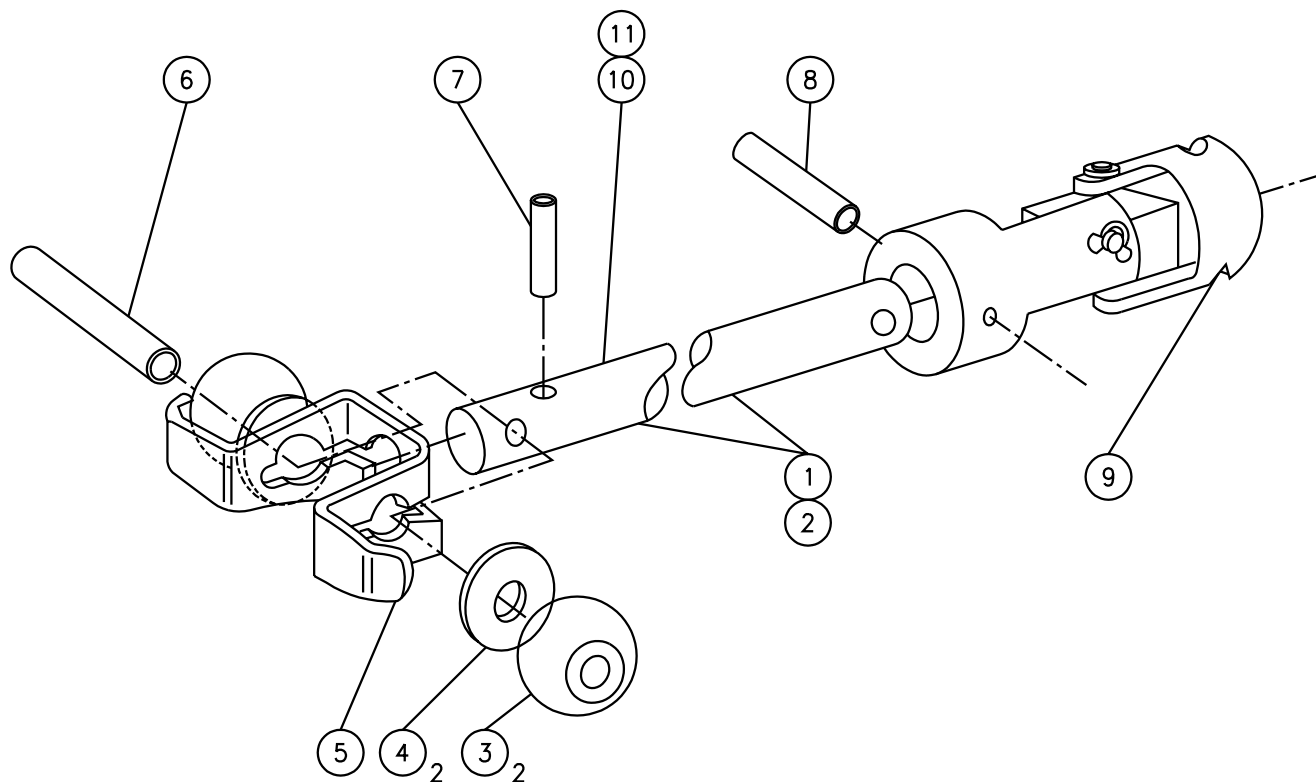
ITEM	PART NUMBER	DESCRIPTION
25	070-003-233	MAIN PIVOT SPACER, SHORT
26	839-057-002	NUT, HEX LOCK NYLON, 5/16 - 18
27	809-869-405	BOLT, HEX, 7/16 - 14 X 2-1/2
28	090-006-132	STEEL SWEEP LINK, UPPER & LOWER
29	070-011-819	SHIM, TABLE & SWEEP
30	070-003-232	MAIN PIVOT SPACER, LONG
31	070-003-106	MAIN PIVOT SHAFT
32	090-006-135	DRIVE LINK BUSHING/SPACER
33	090-005-254	DRIVE LINK CONNECTING ROD
34	070-003-117	DRIVE LINK SPACER
35	070-003-221	SCREW, SWEEP LINK ASSEMBLY
36	809-869-365	SCREW, HEX, 7/16 - 14 X 2-1/4
37	090-006-126	PIN, STEEL SWEEP LINKAGE
38	090-006-136	SHOCK MOUNT
39	090-006-131	SWEEP SHOCK MOUNT PLATE
40	844-057-002	NUT, STOVER LOCK, 5/16 - 18
41	090-006-127	STEEL SWEEP LINK SLEEVE
42	809-869-325	BOLT, HEX, 7/16 - 14 X 2
43	090-004-010	SWEEP ROCKER ARM
44	090-005-015	TORQUE TUBE BEARING
45	090-004-007	TORQUE TUBE HANGER
46	809-865-285	SCREW, HEX, 3/8 - 16 X 1 X 3/4
47	070-003-243	SCREW, HEX, 1/2 - 13 X 2 1/2
48	090-005-255	CONNECTING ROD ASSEMBLY
49	844-073-002	NUT, STOVER LOCK, 1/2 - 13

* ITEM 2 USED WITH 82-30 MACHINES ONLY.
PHANTOM PARTS ARE SAME AS 82-70
MACHINES.



ITEM	PART NUMBER	DESCRIPTION
1	300-000-182	SWEEP BAR AND CAP ASSEMBLY
2		REFERENCE ONLY
3	948-722-111	WASHER - BLACK OXIDE, 11/16 O.D. x 11/32 I.D. x 1/16 THK
4	808-557-140	SCREW, SOC. BUTT HD. 5/16 - 18 x 7/8 LG
5	090-001-171	BRACKET-SWEEP MOUNTING L.H.
6	809-857-245	SCREW, HEX HD. CAP, 5/16 - 18 x 1 - 1/2 LG (GR-8)
7	844-057-002	NUT STOVER LOCK 5/16 - 18
8	830-057-002	NUT- ACORN 5/16 - 18 (PLATED)
9	090-001-170	BRACKET-SWEEP MOUNTING R.H.
10	000-023-182	SLIDE BAR
11	948-761-112	WASHER, 11/16 O.D. x 11/32 I.D. x 1/16 THK.
12	300-000-166	INSERT SWEEP LOGO

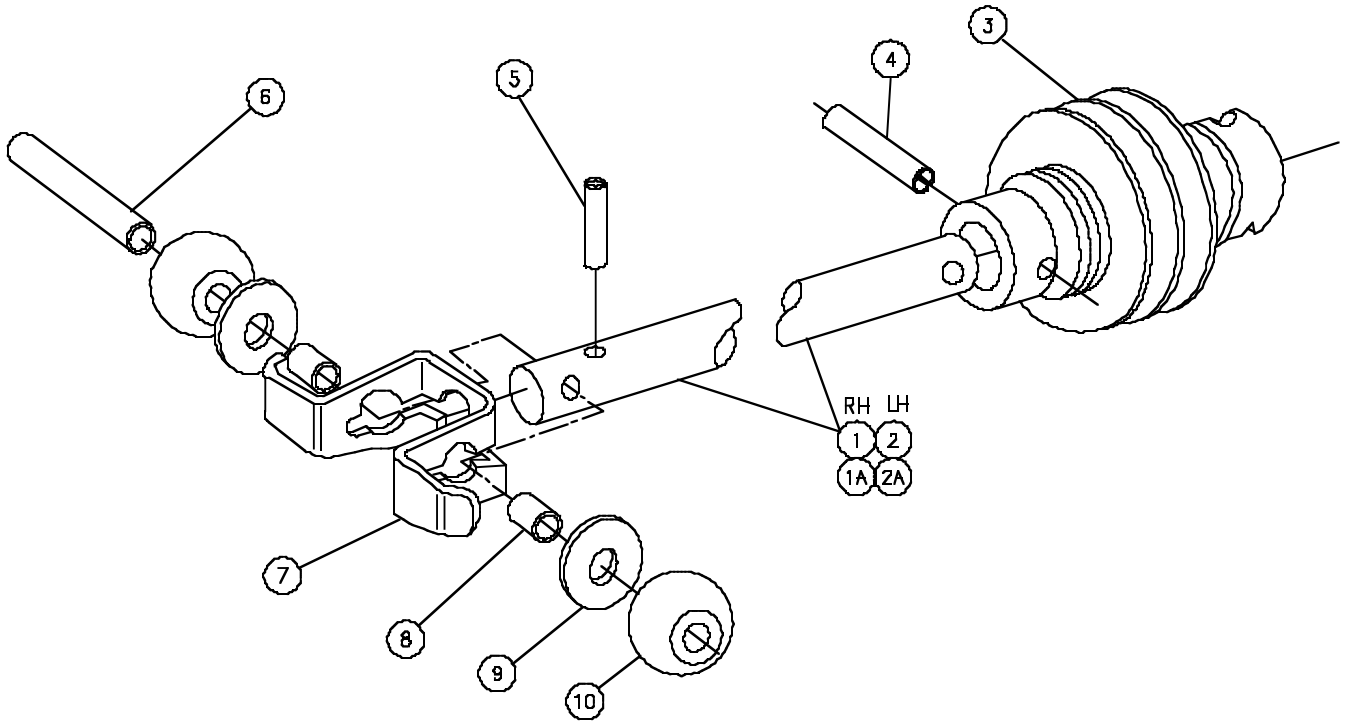
ITEM	PART NUMBER	DESCRIPTION
12A	090-006-166	INSERT SWEEP LOGO GLOW
13	300-000-175	CAP- SWEEP BAR
14	938-637-100	RIVET-POP 3/16 DIAMETER, ALUMINUM
15	749-537-068	WASHER-BACKUP 3/6 POP RIVET
16	090-006-129	SWEEP MOUNTING BRACKET L.H.
16a	090-001-171	SWEEP MOUNTING BRACKET L.H.
17	090-006-130	SWEEP MOUNTING BRACKET R.H.
17a	090-001-170	SWEEP MOUNTING BRACKET R.H.
	NOT SHOWN	
	610-700-150	SWEEP ASSEMBLY - CONTAINS COMPLETE KIT FOR TWO LANES



ITEM	PART NUMBER	DESCRIPTION
1	070-006-101	SHAFT R.H. MACHINE
2	000-022-369	SHAFT L.H. MACHINE
3	000-026-461	BALL BEARING
4	000-029-073	WASHER
*4A	722-501-070	SPACER
5	000-024-892	BALL BEARING RETAINER
*5A	090-002-034	RETAINER
6	000-022-717	PIN
*6A	908-048-480	PIN
7	913-423-120	ROLL PIN, ESNA, 125 DIA. X 3/4 LG

ITEM	PART NUMBER	DESCRIPTION
8	913-437-160	ROLL PIN, ENSA, 187 DIA. X 1 LG.
9	070-008-004	UNIVERSAL JOINT, PLASTIC
9A	070-007-586	UNIVERSAL JOINT, METAL
10	070-006-102	DIST. DRIVE SHAFT ASSEMBLY, R.H.
11	000-024-893	DIST. DRIVE SHAFT ASSEMBLY, L.H.
*12	090-006-102	DIST. DRIVE SHAFT ASSEMBLY, R.H.
*13	090-006-103	DIST. DRIVE SHAFT ASSEMBLY, L.H.
*14	090-002-018	DRIVE SHAFT, R.H.
*15	090-002-017	DRIVE SHAFT, L.H.

*Note 1 Items 4A, 5A, 6A, 12-15 are for later models of 82-90 Pinspotter



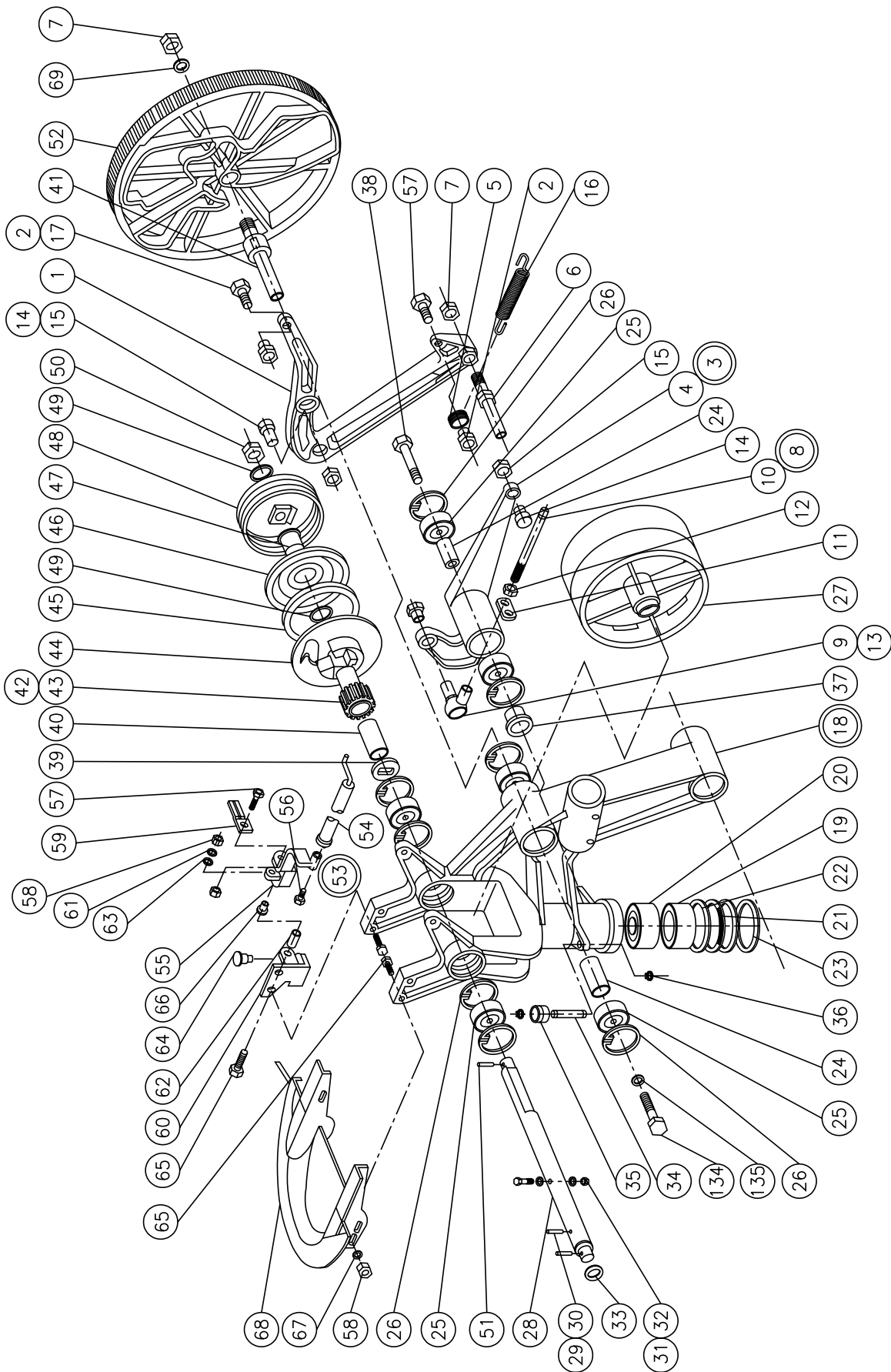
ITEM	PART NUMBER	DESCRIPTION
1	090-002-018	SHAFT, R.H. MACHINE
1A	090-006-102	DISTRIBUTOR DRIVE SHAFT ASSY – R.H. (Includes items 1 & 3 through 10)
2	090-002-017	SHAFT L.H. MACHINE
2A	090-006-103	DISTRIBUTOR DRIVE SHAFT ASSY – L.H. (Includes items 2 through 10)
3	070-007-586	UNIVERSAL JOINT

ITEM	PART NUMBER	DESCRIPTION
4	913-437-160	SPRING PIN, .187 X 1 LG.
5	913-423-120	SPRING PIN, .125 X 3/4 LG.
6	908-048-480	DOWEL PIN, 1/4 X 3.0
7	090-002-034	BALL BEARING RETAINER
8	722-501-070	SPACER
9	000-029-073	WASHER
10	090-002-019	BALL BEARING



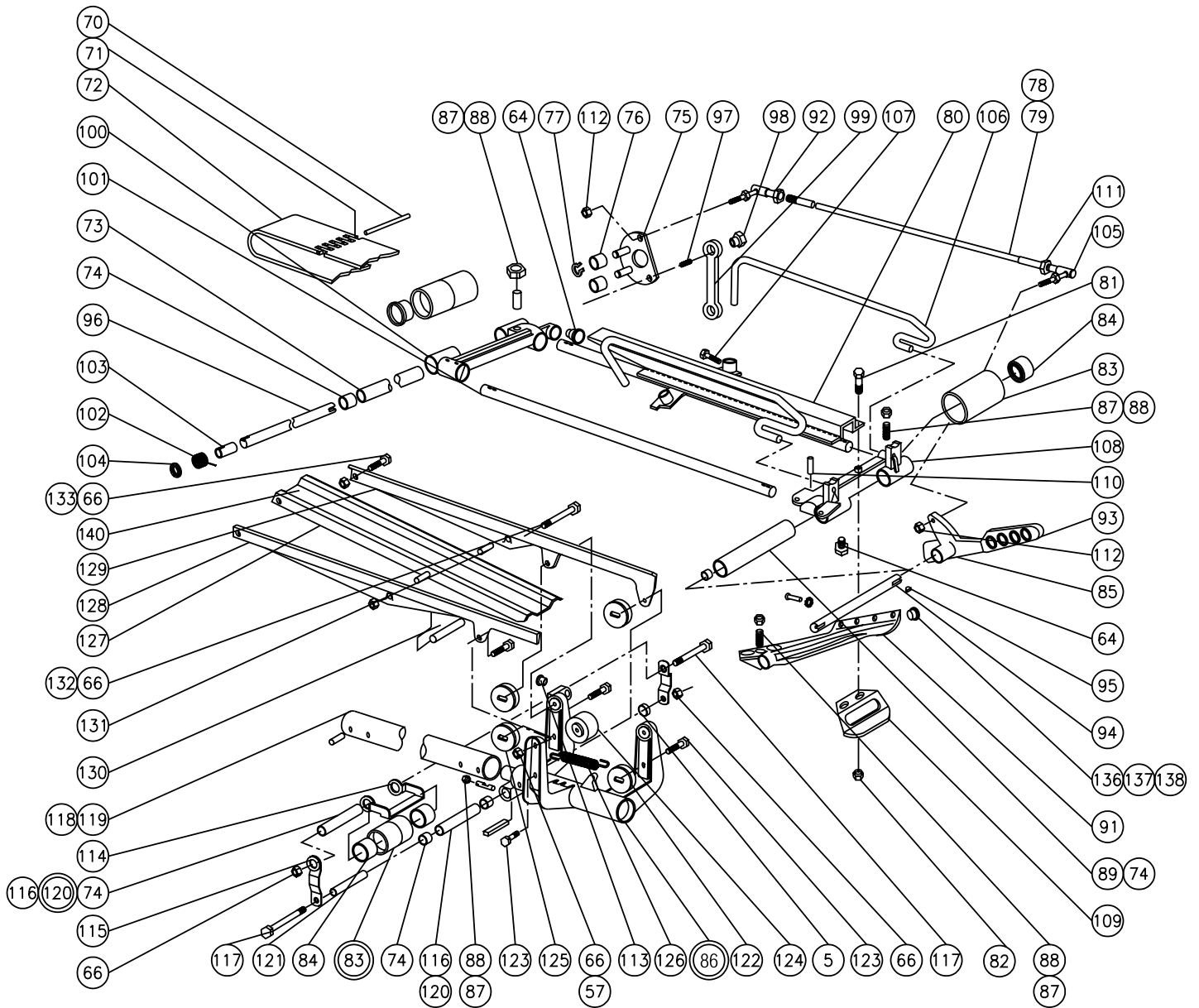
ITEM	PART NUMBER	DESCRIPTION
1	090-002-034	BALL BEARING RETAINER
2	000-029-073	WASHER
3	913-423-120	PIN-SPRING .125 X 3/4
4	913-437-160	PIN-SPRING .187 X 1
5	722-501-070	SPACER

ITEM	PART NUMBER	DESCRIPTION
6	090-002-018	DRIVE SHAFT, RH
7	090-002-019	BALL
8	908-048-480	1/4 X 3 DOWEL PIN
9	070-007-586	U JOINT - STEEL



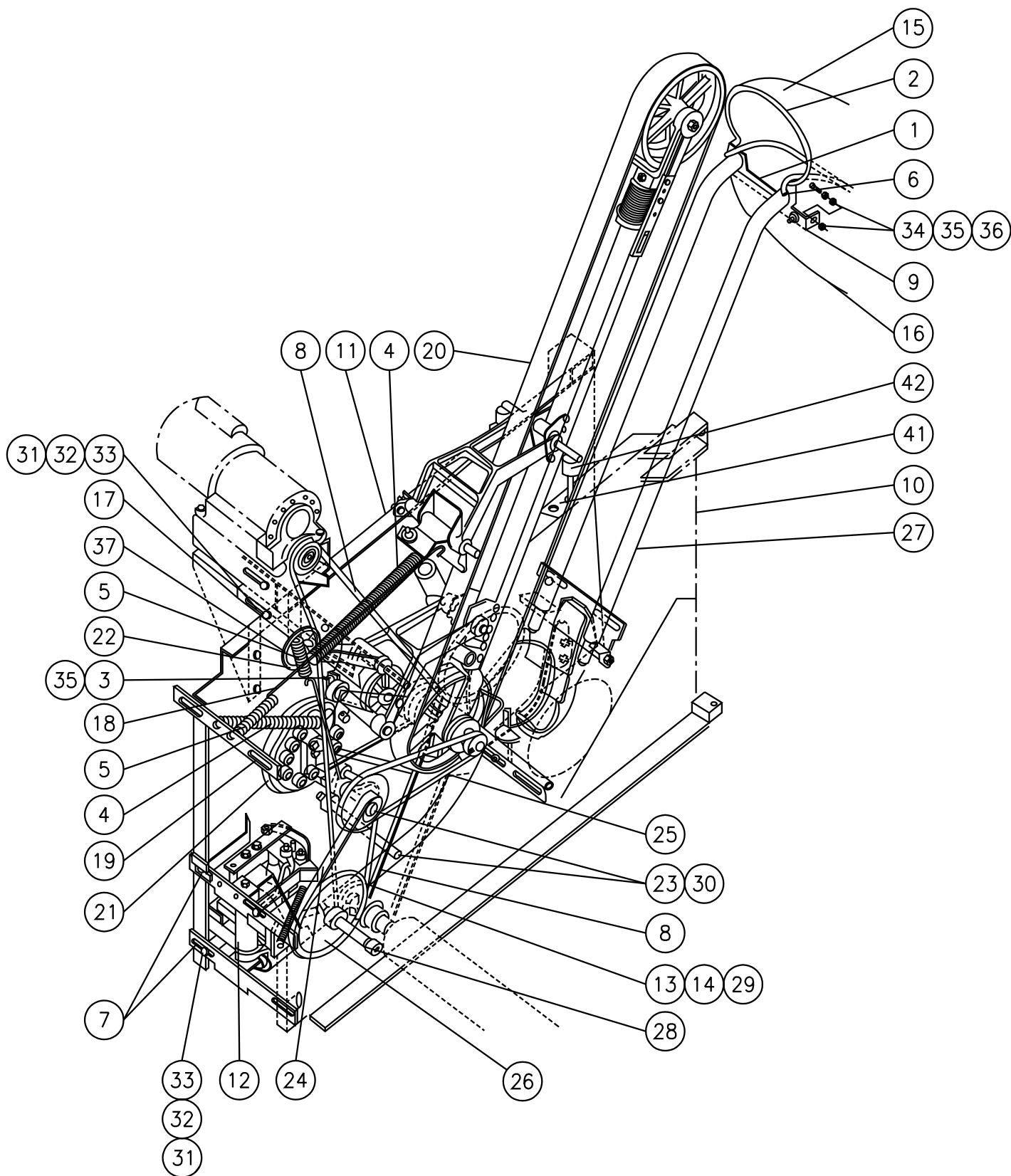
ITEM	PART NUMBER	DESCRIPTION
1	070-006-051	ARM
2	000-022-173	NUT, SPECIAL
3	070-007-119	DRIVE ARM ASSEMBLY (LATERAL)
4	070-006-052	DRIVE ARM
5	070-006-111	SPRING POST SLEEVE
6	070-006-049	SHAFT ARM
7	844-073-002BG	NUT LOCK, STOVER 1/2 - 13 (10 PER BAG)
8	090-005-262	ROD LINK ASSEMBLY
9	090-005-268	1/2 INCH FEMALE ROD END
10	070-006-067	ROD, SAFETY LINK
11	070-006-068	SPRING SUPPORT
12	831-566-002	NUT HEX 3/8 - 24
13	070-006-069	NUT, SPECIAL
14	070-006-071	CAM FOLLOWER
15	844-050-002	NUT, LOCK STOVER 1/4 - 28
16	070-006-034	SPRING, LINEAR
17	808-849-100	SCREW, SOFL. 1/4 - 20 X 5/8 LG.
18	070-006-053	MAIN CASTING & BEARING ASSEMBLY
19	070-006-076	NEEDLE BEARING, OPEN END
20	070-006-075	NEEDLE BEARING CLOSED END
21	070-006-074	NEEDLE THRUST BEARING
22	070-006-073	THRUST WASHER
23	919-004-200BG	RING, TRU-ARC (INTERNAL) (10 PER BAG)
24	070-006-064	SPACER BEARING
25	000-024-679	BEARING
26	919-000-600BG	RING-TRU-ARC (INTERNAL) (10 PER BAG)
27	070-006-666	PULLEY, DRIVE
28	070-006-077	SHAFT ARM
29	914-037-206BG	SPIRAL PIN (187 - 1250L -B -R) (10 PER BAG)
30	810-239-240	SCREW, SOC, HD. CAP. 10 - 24 x 1 - 1/2 LG. (10 PER BAG)
31	840-039-002BG	NUT, FLEXLOC 10 - 24 (10 PER BAG)
32	948-745-082BG	WASHER, 7 / 32 I.D.x 1/2 o.d. x 3 / 64 THK (10 PER BAG)
33	919-005-600BG	RING TRU - ARC (EXTERNAL) (10 PER BAG)
34	070-006-082	PIN, SPRING POST
35	000-026-081	SPRING POST SLEEVE
36	919-005-300BG	RING TRU-ARC (EXTERNAL) (10 PER BAG)
37	070-006-065	CLAMP RACE
38	070-006-048	BOLT, SPECIAL

ITEM	PART NUMBER	DESCRIPTION
39	070-007-376BG	WASHER, THRUST (10 PER BAG)
40	070-006-676	SLEEVE
41	070-006-061	SHAFT, CAM SUPPORT
42	070-006-678	BUSHING, PINION
43	610-704-005	PINION & GEAR SLEEVE ASSEMBLY
44	610-704-006	KIT, CLUTCH PLATE ASSEMBLY
45	070-006-126	FRICTION DISC
46	070-006-130	CLUTCH PLATE, DRIVE
47	070-006-125	WORM
48	070-006-128	SPRING ASSEMBLY
49	070-006-121BG	WASHER (10 PER BAG)
50	835-582-002	NUT 5/8 - 18, SPECIAL
51	913-437-140BG	ROLL PIN (ESNA) 3/16 DIA. X 7/8 LG. (10 PER BAG)
52	070-006-149	CAM INDEX
53	090-006-668	TRIP STOP ROD & SUPPORT CASTING ASSEMBLY WITH ROLL PIN CONNECTION
54	090-006-663	TRIP STOP ROD ASSEMBLY
55	070-006-665	TRIP SUPPORT CASTING ASSEMBLY
56	913-415-090BG	ROLL PIN,(.94 O.D. X 9/16 LG.)AC3 (10 PER BAG)
57	809-849-125	SCREW, HEX HD CAP 1/4 - 20 X 3/4 LG.
58	844-049-002BG	LOCK NUT, STOVER 1/4 - 20 (10 PER BAG)
59	070-006-691	STOP BLADE TRP. ARM
60	070-006-084	TRIP STOP SUPPORT BRKT.
61	000-026-865BG	WASHER (10 PER BAG)
62	070-006-685	PIVOT - (19/32 LG.)
63	070-007-651BG	WASHER, NYLON (10 PER BAG)
64	070-006-142BG	BUMPER (10 PER BAG)
65	809-849-205	SCREW, HEX HD. CAP 1/4 - 20 X 1 - 1/4 LG.
66	701-712-079	BEARING PRESSED
67	948-753-102BG	WASHER, 5/8 O.D. X 9/32 I.D. X .65 THK. (10 PER BAG)
68	090-003-077	ORIENTOR PAN
69	948-975-172	WASHER, 1 - 1/16 O.D. X 17/32 I.D. X 3/32 THK
134	809-857-080BG	SCREW, HEX HEAD CAP, 5/16 - 18 X 1/2/ LG. AC3 (10 PER BAG)
135	948-761-112BG	WASHER, PLAIN, 11/16 O.D. X 11/32 I.D. X 1/16 THK. (10 PER BAG)



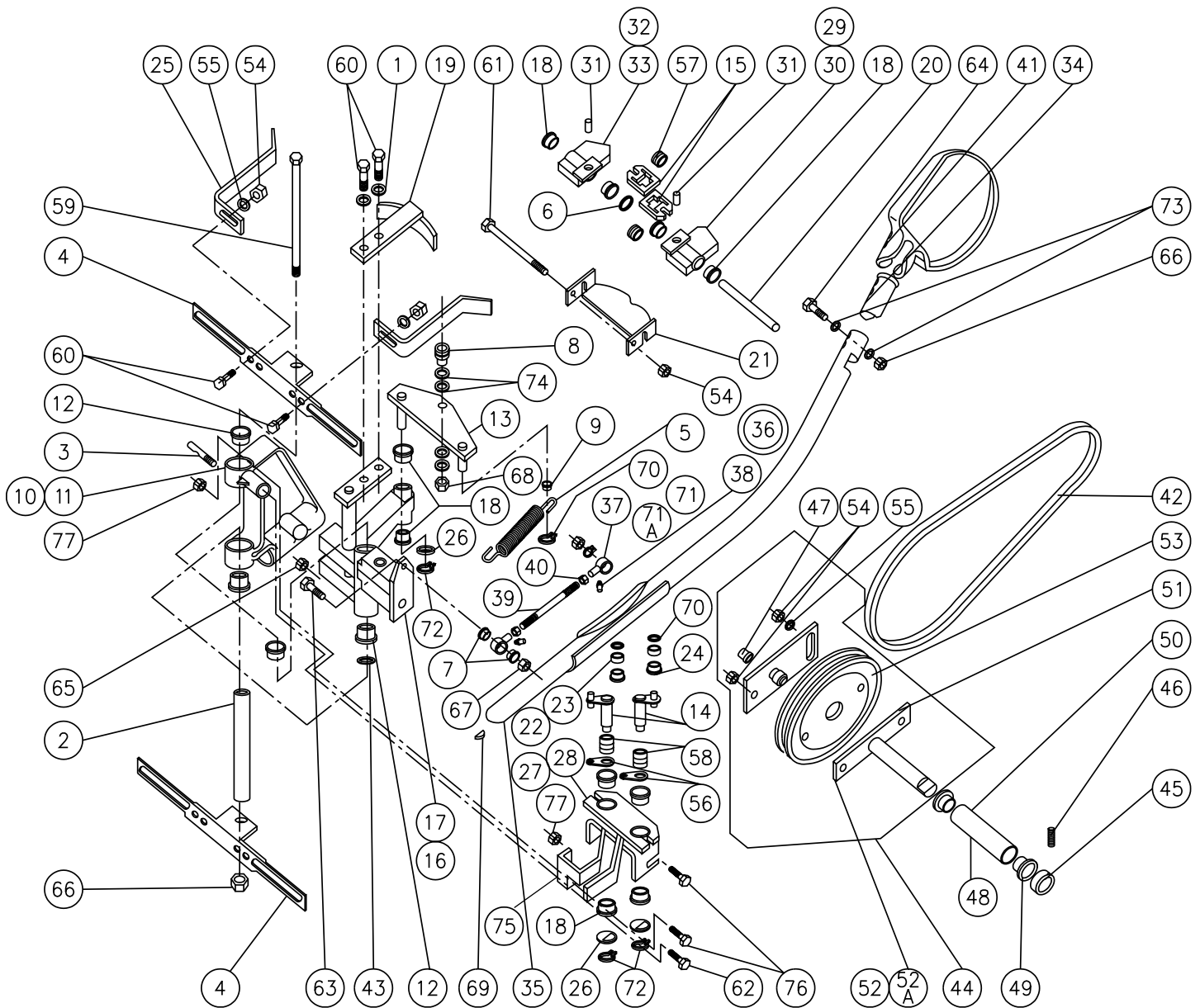
ITEM	PART NUMBER	DESCRIPTION
5	070-006-111	SPRING POST SLEEVE
57	809-849-125	SCREW, HEX HD. CAP 1/4 - 20 X 3/4 LG.
64	070-006-142BG	BUMPER (10 PER BAG)
66	844-049-002BG	LOCKNUT, STOVER 1/4 - 20 (10 PER BAG)
70a	070-006-757	BLACK ROUGH TOP BELT
70b	610-709-811	ROLL OF BLACK BELT
70c	070-006-152	WHITE NITRILE BELT
70d	610-709-812	ROLL OF WHITE BELT (3)
71	070-006-036	BELT LACING
72	070-006-037	BELT PIN
73	070-006-683	TUBE MIDDLE- ASSEMBLY (7-7/64"LG.)
74	900-106-081BG	BRG SL .378 X .503 X 1/2 (BAG 5)
75	070-006-661	TRIP ROCKER ARM WELDMENT
76	070-001-857	ROLLER
77	919-005-000BG	RETAINING RING (10 PER BAG)
78	070-011-170	TRIP CABLE ASSEMBLY
79	070-011-171	CABLE
80	070-006-009	BELT RUNNER SUPPORT ASSEMBLY
81	810-239-160BG	SCREW, SOC.HD. CAP. 10 - 24 X 1 LG (10 PER BAG)
82	840-039-002BG	NUT, FLEXLOC 21 FK, 10-24 (10 PER BAG)
83	070-006-011	PULLEY ASSEMBLY
84	000-024-679	BEARING
85	070-006-015	TRIP ARM ASSEMBLY R.H.
86	070-006-688	CARRIAGE SUPPORT, CASTING ASSEMBLY
87	070-006-116	CLAMP STUD
88	834-549-002	NUT, HEX (REG.) 1/4 - 20
89	070-006-021	TUBE ASSEMBLY - FRONT
91	070-006-016	TRIP ARM ASSEMBLY L.H.
92	070-011-172	BALL JOINT ASSEMBLY (7/16")
93	070-004-176	BEARING (SEE ITEMS 136, 137, AND 138 FOR REPLACEMENT)
94	070-006-014	SHAFT
95	907-000-100	KEY, HI-PRO # 403
96	070-006-659	SHAFT
97	807-249-160BG	SET SCREW, SOC HD. CUP PT., 1/4 - 20 X 1 (10 PER BAG)
98	000-022-173	NUT SPECIAL
99	070-006-029	CONNECTING LINK
100	070-006-672	CARRIAGE, REAR
101	070-006-004	TUBE
102	070-006-035	SPRING

ITEM	PART NUMBER	DESCRIPTION
103	070-006-019	COLLAR
104	919-006-800BG	RING, RETAINING (10 PER BAG)
105	070-011-173	BALL JOINT ASSEMBLY
106	070-006-013	PIN GUIDE
107	806-249-060BG	SET SCREW, SQ. HEAD CUP PT. 1/4- 20 X 3/8 LG. (10 PER BAG)
108	070-006-055	CARRIAGE-FRONT
109	070-006-137	BELT GUARD
110	913-437-140BG	PIN (ESNA) 3/16 O.D. X 7/8 LG. (10 PER BAG)
111	835-550-002BG	NUT, HEX, JAM - 1/2 - 28 (10 PER BAG)
112	840-039-002	NUT, FLEXLOC THIN # 10 - 32
113	701-710-098	SPYRALIGN - PRESS BEARING
114	070-006-106	TRACKING BRACKET
115	070-006-109	LINK
116	070-006-107	TUBE
117	809-849-605	SCREW HEX HEAD CAP. 1/4 - 20 X 3 - 3/4 LG.
118	070-006-120	CARRIAGE SUPPORT TUBE
119	913-464-280BG	ROLL PIN (ESNA) 3/8 X 1 - 3/4 LG. (10 PER BAG)
120	070-006-105	TUBE ASSEMBLY
121	070-006-108	SPACER
122	070-006-118	BEARING, GROOVED - ECCENTRIC
123	809-849-165BG	SCREW, HEX HEAD CAP, 1/4 - 20 X 1 LG. (10 PER BAG)
124	701-849-124	BEARING THREADED BORE CONCENTRIC
125	070-006-117	BEARING GROOVED - CONCENTRIC
126	000-026-031	SPRING, BELT TIGHTENER
127	070-006-042	BELT RUNNER, GEAR
128	070-006-103	SUPPORT GUIDE L.H.
129	070-006-104	SUPPORT GUIDE R.H.
130	070-006-139	SPACER, INNER
131	070-006-140	SPACER, OUTER
132	809-849-885BG	SCREW, HEX HD. CAP 1/4 - 20 X 5 - 1/2 LG. (10 PER BAG)
133	808-549-200BG	SCREW SOC. HEAD BUTTON, 1/4 - 20 X 1-1/4 LG. (10 PER BAG)
136	813-540-082	SCREW PHIL. HEAD TRUSS 10-32 X 1/2 LG. (USE W/ ITEM 138)
137	957-100-002	WASHER (USE W/ ITEM 138)
138	000-026-251	BEARING, FIELD RPL.
139	000-024-598	ADJUSTABLE PIN FEED PULLEY (NOT SHOWN)
140	070-006-201	DISTRIBUTOR BELT GUIDE



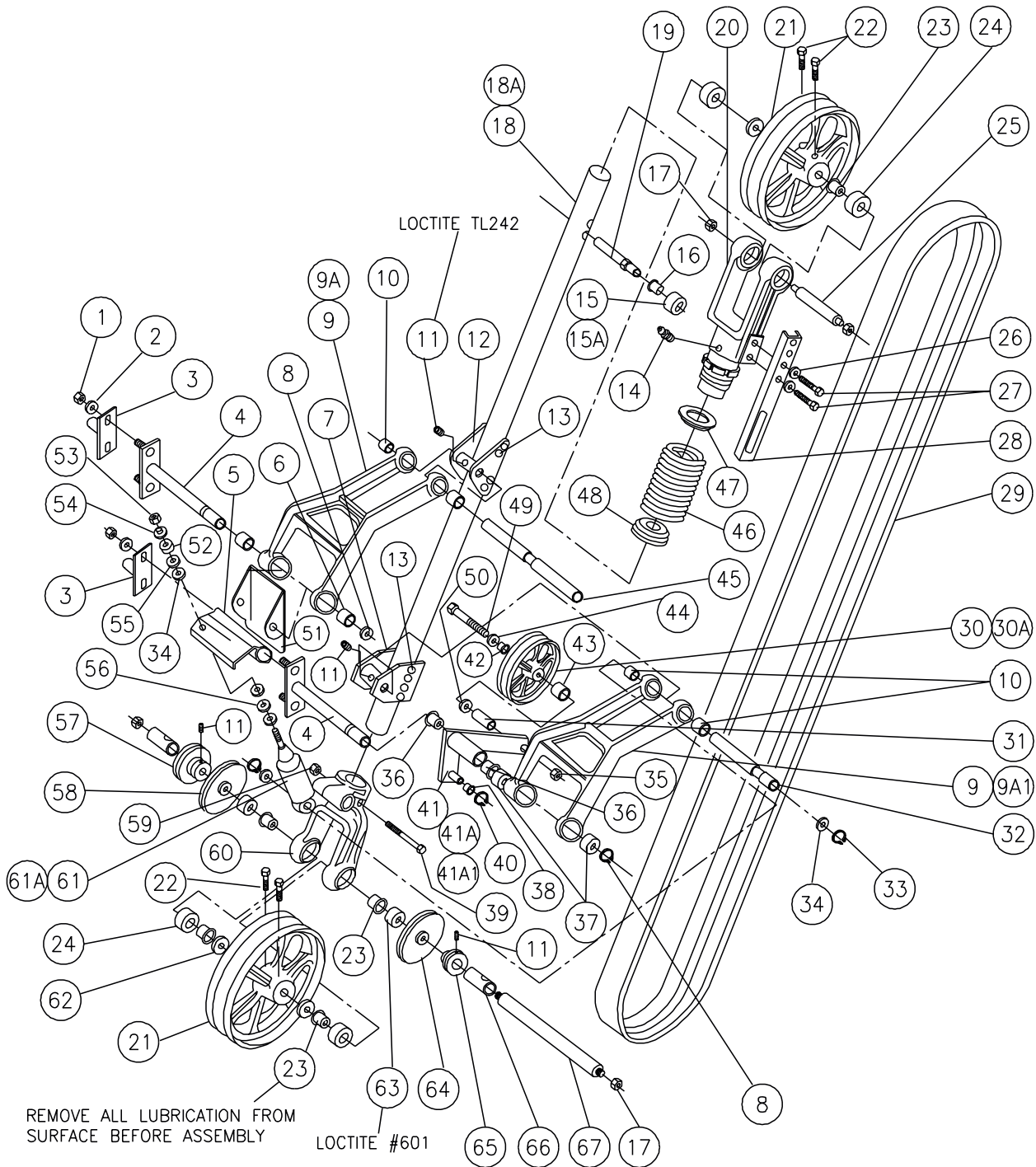
ITEM	PART NUMBER	DESCRIPTION
1	000-021-813	SUPPORT, WIPER
2	000-021-814	RING, WIPER CLOTH
3	000-024-610	STUD, CLAMP (3/8 DIAMETER)
4	000-024-673	SPRING
5	000-026-031	SPRING
6	000-029-629	DOWN SWEEP WELDMENT
7	000-029-910	SHIM
8	090-004-520	"V" BELT, CARPET DRIVE
9	070-004-654	BRACKET, DOWN TRACK
10	090-004-126	KICKBACK ASSEMBLY, R.H.- FOR R.H. MACHINE
11	090-004-129	KICKBACK ASSEMBLY, L.H.- FOR L.H. MACHINE
12	610-700-122	LIGHT BALL SENSOR ASSEMBLY
13	070-002-034	ROLLER ASSEMBLY (REAR)
14	090-004-203	SHEAVE, CARPET DRIVE
15	070-004-669	WIPER CLOTH
16	070-004-670	DUST TRAP
17	090-004-513	TIE PLATE ASSEMBLY (COMPLETE) - NOT SHOWN
18	070-011-034	EXTENSION ROD
19	070-011-035	STRAP
20	070-011-052	BALL LIFT ASSEMBLY
21	070-011-064	"V" BELT RATCHET DRIVE
22	090-002-016	SPRING EXTENSION
23	090-002-015	BELT TENSIONER ASY.

ITEM	PART NUMBER	DESCRIPTION
24	070-011-147	"V" BELT
25	070-011-148	"V" BELT
26	070-011-178	CRANK ASSEMBLY, RUDDER DRIVE
27	070-011-414	TRACK RAIL ASSEMBLY
28	000-029-696	ADJUSTMENT TUBE ASSEMBLY
29	806-265-160BG	SCREW SQ. HD. SET, 3/8 - 16 X 1 LG (10 PER BAG)
30	807-265-060	SCREW SOC. HEAD SET, 3/8 - 16 X 3/8 LG.
31	809-857-165BG	SCREW HEX HEAD CAP, 5/16 - 18 X 1 LG. (10 PER BAG)
32	844-057-002BG	NUT HEX 5/16 - 18 (10 PER BAG)
33	948-761-112BG	WASHER, 11/32 I.D. X 11/16 O.D. X 1/16 THK. (10 PER BAG)
34	809-865-285	SCREW, HEX HEAD CAP, 3/8 - 16 X 1 - 3/4 LG.
35	844-065-002BG	NUT, HEX STOVER 3/8/ - 16 (10 PER BAG)
36	948-767-132BG	WASHER, 13/32 I.D. X 13/16 O.D. X 1/16 THK. (10 PER BAG)
37	070-011-810	BELT TIGHTENER PACKAGE
38	070-011-310	SUPPORT B.E. MOTOR GUARD
39	090-004-420	B.E. MOTOR GUARD ASSEMBLY
40	070-011-401	BALL LIFT GUARD (NOT SHOWN)
41	070-004-642	STOP BRACKET
42	000-024-641	STOP BUMPER



ITEM	PART NUMBER	DESCRIPTION
1	000-022-869BG	FLAT WASHER (10 PER BAG)
2	000-024-615	SHAFT RUDDER
3	000-024-616	CLAMP STUD
4	070-011-319	RUDDER ARM SUPPORT
5	000-026-031	SPRING
6	000-027-264	WASHER-SPACER
7	000-029-611BG	WASHER - UNIBALL BEARING (10 PER BAG)
8	070-006-728	CAM FOLLOWER
9	070-011-040BG	ROLLER (10 PER BAG)
10	070-011-066	RUDDER ARM SUPPORT ASSEMBLY
11	070-011-067	RUDDER ARM SUPPORT
12	900-212-201BG	FLANGE BEARING (5 PER BAG)
13	070-011-068	LINK WELDMENT
14	070-011-626	TRIP ARM ASSEMBLY
15	070-011-077	TRIP FINGER
16	070-011-080	RUDDER DRIVE ASSEMBLY
17	070-011-079	RUDDER DRIVE WELDMENT
18	900-208-091BG	FLANGE BEARING (5 PER BAG)
19	070-011-418	CAM WELDMENT
20	070-011-098	SLEEVE
21	070-011-099	CAM
22	070-011-105	ROLLER ASSEMBLY
23	070-011-096	ROLLER
24	900-205-081	FLANGE BEARING
25	070-011-107	TRIP ARM
26	070-011-108	WASHER
27	070-011-110	CAM SENSOR ASSEMBLY
28	070-011-100	CAM SENSOR WELDMENT
29	070-011-407	RUDDER CAM ASSEMBLY L.H.
30	070-011-405	RUDDER CAM WELDMENT L/H
31	913-448-120	PIN SPRING .250 X 3/4
32	070-011-406	RUDDER CAM ASSEMBLY R.D.
33	070-011-404	RUDDER CAM WELDMENT R.H.
34	070-011-121	PLUG
35	070-011-122	RUDDER ARM
36	090-005-258	ROD ASSEMBLY
37	090-005-250	ROD END
39	070-011-124	ROD
40	835-566-002	HEX JAM NUT 3/8 - 24
41	070-011-146	PADDLE
42	070-011-147	V-BELT
43	070-011-151	SPACER RUDDER DRIVE
44	090-003-951	RUDDER DRIVE CRANK ASY.
45	000-021-423	COLLAR (WITH SET SCREW)
46	807-357-040BG	SOC. SET SCREW KN. CUP PT.5/16 - 18 X 1/4 LG. (10 PER BAG)

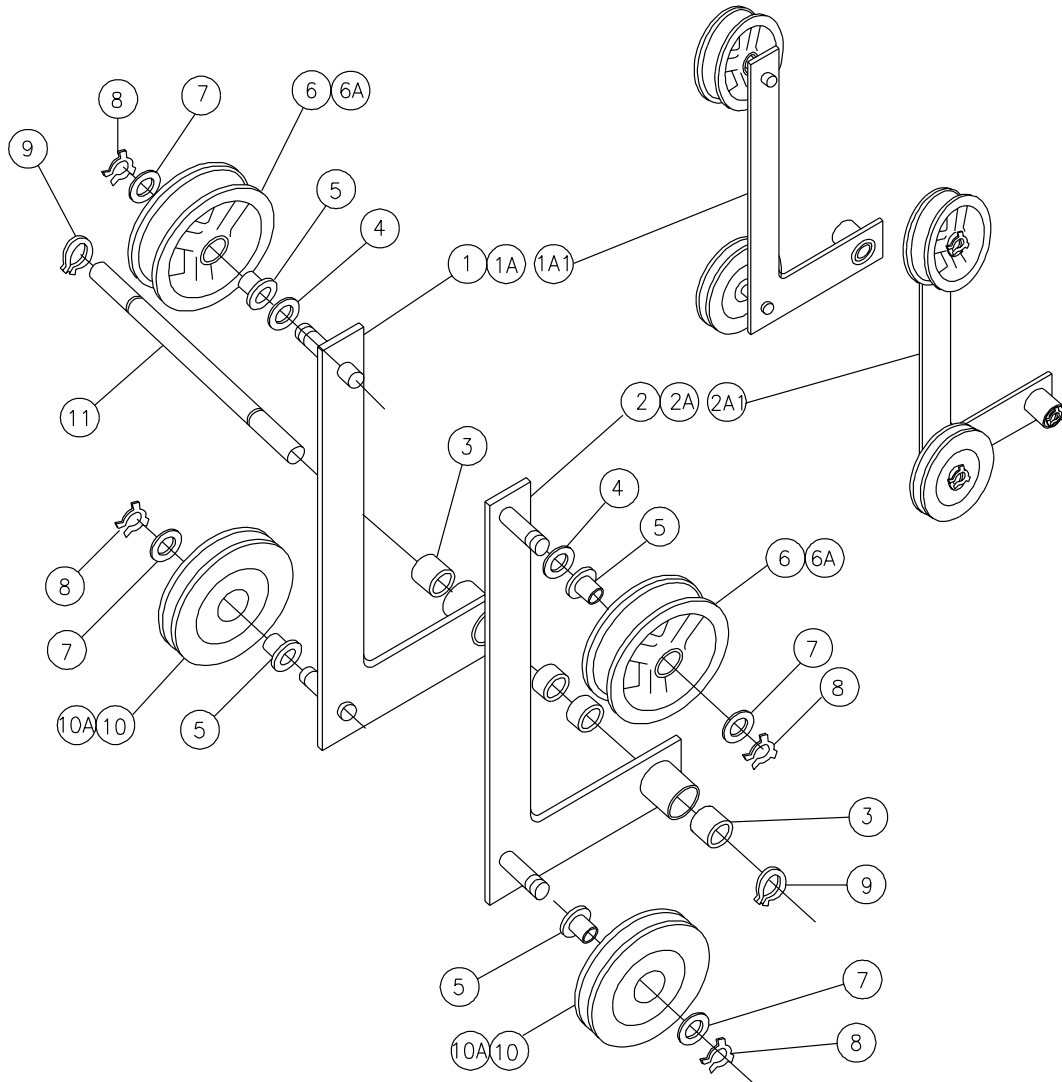
ITEM	PART NUMBER	DESCRIPTION
47	000-029-611BG	WASHER-UNIBALL BRG. EFFT.TO JAN '78 (10 PER BAG)
48	000-029-696	TUBE ADJUSTMENT ASSEMBLY
49	000-021-427	FLANGE BEARING
50	000-029-697	TUBE
51	070-011-092	CRANK SHAFT WELDMENT
52	070-011-225	CRANK ADJUSTMENT PLATE WELD EFFT. JAN '78
52A	070-011-377	CRANK AADJ. PLATE WELD AFFT. JAN '78
53	070-011-097	CRANK PULLEY
54	844-057-002BG	NUT STOVER 5/16 - 18 (10 PER BAG)
55	948-761-112BG	WASHER, 11/16 O.D. X 11/32 I.D. X 1/16 THK. (10 PER BAG)
56	070-011-273	TAB
57	722-971-522	SPRING
58	722-985-512	SPRING
59	802-865-996BG	BOLT, HEX HD. 3/8 - 16 X 9 - 1/2 LG. (10 PER BAG)
60	809-857-165BG	SCREW, HEX HD. 5/16 - 18 X 1 LG. (10 PER BAG)
61	809-857-880BG	SCREW HEX HD. 5/16 - 18 X 5 - 1/2 (10 PER BAG)
62	809-865-165BG	SCREW HEX HD. 3/8 - 16 X 1 LG. (10 PER BAG)
63	809-865-205BG	SCREW HEX HD. 3/8 - 16 X 1/4 LG. (10 PER BAG)
64	809-865-405BG	SCREW HEX HD. 3/8 - 16 X 2-1/2 LG. (10 PER BAG)
65	831-573-002BG	NUT, HEX 1/20-13 (10 PER BAG)
66	844-065-002BG	NUT, HEX SFLEXLOC 3/8 - 16 (10 PER BAG)
67	840-065-002BG	NUT, HEX THIN FLEXLOCK 3/8 - 16 (10 PER BAG)
68	844-070-002BG	NUT, HEX STOVER 7/16 - 20 (10 PER BAG)
69	907-000-900BG	KEY HI-PRO # 910 (10 PER BAG)
70	919-005-200BG	RETAINING RING 5100 - 31 (10 PER BAG)
71	838-866-002BG	NUT HEX ESNA 3/8 - 24 (10 PER BAG)
71A	919-005-300	RETAINING RING
72	919-005-500BG	RETAINING RING 5100 - 50 (10 PER BAG)
73	948-767-132BG	WASHER PLAIN, 13/16 O.D. X 13/32 I.D. X 1/16 THK. (10 PER BAG)
74	949-100-002BG	WASHER PLAIN. 59/64 O.D. X 13/32 I.D. X 1/16THK. (10 PER BAG)
75	070-011-299	BRACE SENSOR
76	809-849-145BG	SCREW HEX HEAD 1/4 - 20 X 7/8 LG. (10 PER BAG)
77	844-049-002BG	NUT HEX STOVER 1/4 - 20 (10 PER BAG)



ITEM	PART NUMBER	DESCRIPTION
1	840-057-002	NUT, STOVER LOCK, 5/16
2	948-761-112	WASHER, FLAT, 11/32 X 11/16 X 1/16
*3	070-006-320	SHAFT ASSY. ADJ. 9-1/2" - 11" SPACING
	070-006-329	SHAFT ASSY ADJ. 11" - 12-5/8" SPACING
	070-006-333	SHAFT ASSY. ADJ. 12-5/8" - 14" SPACING
*4	070-005-325	SHAFT ASSY. FXD. 9-1/2" - 11" SPACING
	070-006-328	SHAFT ASSY. FXD. 11" - 12-5/8" SPACING
	070-006-330	SHAFT ASSY. FXD. 12-5/8" - 14" SPACING
5	070-011-289	SHOCK ABSORBER BRACKET
6	900-112-203	SLEEVE BEARING, .753 X 1-1/4
7	070-011-002	LOWER SUPPORT
8	919-005-800	RETAINING RING
9	000-024-653	LINK
9A	000-024-720	LINK ASSY, UPPER (includes 6, 9, 10, & 51)
9A1	000-024-651	LINK ASSY, LOWER (includes: 9, 10 & 37)
10	900-110-121	SLEEVE BEARING, .628 X 3/4
11	807-265-060	SETSCREW, 3/8 - 16 X 3/8
12	000-024-606	UPPER SUPPORT
13	937-000-000	RIVET, STEEL, 1/4 X 11/32
14	710-501-007	GREASE FITTING
15	000-024-647	ROLLER
15A	000-024-650	ROLLER ASSEMBLY (includes 15 & 16)
16	900-206-081	FLANGED BEARING, .378 X .688 X 1/2
17	856-070-002	NUT, FLANGED, 7/16 - 20
18	000-024-607	TUBE
18A	070-011-004	TUBE & SUPPORT ASSY (incl. 7, 12, 13, & 18)
19	000-024-648	PIVOT PIN
20	070-001-995	UPPER YOKE w/NUT
21	000-024-661	PULLEY
22	806-265-160	SETSCREW, 3/8 - 16 X 1
23	070-006-748	SPACER
24	070-006-699	BALL BEARING
25	070-006-747	UPPER SHAFT
26	951-164-002	WASHER, SPLIT LOCK, 3/8
27	809-865-165	SCREW, HEX, 3/8 -16 X 1
28	000-029-613	RAIL
29	090-002-450	BELT, V-GUIDE FLAT, 2 INCHES WIDE
30	000-022-071	IDLER PULLEY
30A	000-021-408	IDLER PULLEY ASSY (includes 30 & 43)
31	070-008-218	SPACER, LONG
32	000-029-660	SHAFT
33	919-005-600	RETAINING RING

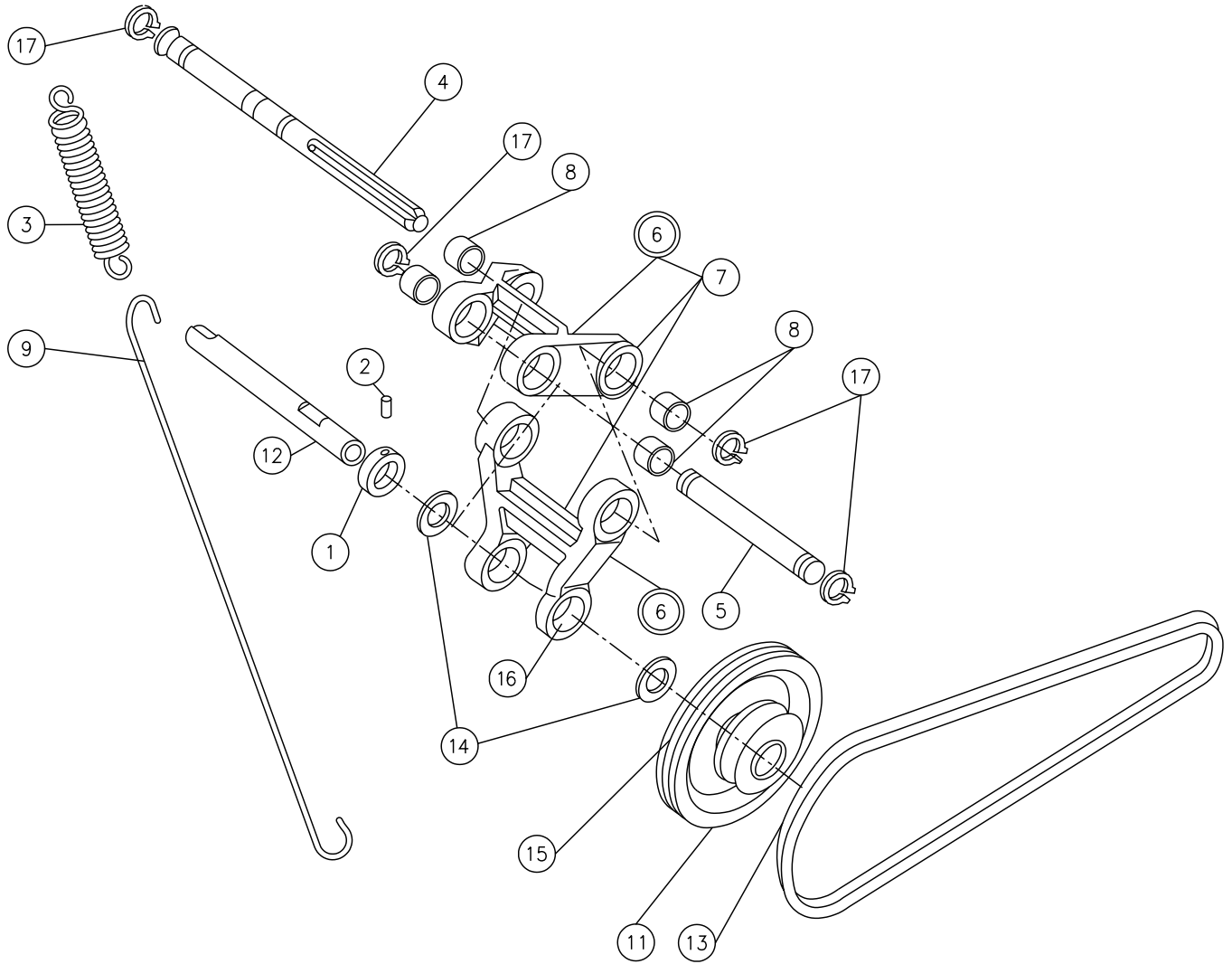
ITEM	PART NUMBER	DESCRIPTION
34	948-983-212	WASHER, FLAT, 1-5/16 X 21/32 X .093
35	839-549-002	NUT, FLEX LOCK, 1/4 - 20
36	900-212-161	FLANGED BEARING, .753 X 1.003 X 1
37	900-112-161	SLEEVE BEARING, .753 X 1
38	070-011-040	RATCHET ROLLER
39	809-865-445	SCREW, HEX, 3/8 - 16 X 2-3/4
40	919-005-200	RETAINING RING
41	070-008-215	BELT TIGHTENER WELDMENT
41A	070-011-041	BELT TIGHTENER WELDMENT ASSEMBLY (includes 36 & 41)
41A1	070-011-042	BELT TIGHTENER ASSEMBLY (includes 30A, 31, 35, 38, 40, 41A, 42, 44, 49, & 50)
42	070-008-217	SHORT SPACER
43	900-208-161	FLANGED BEARING, .503 x .875 x 1
44	146-005-277	WASHER, COUNTERSUNK, 9/32 x 7/8 x 1/8
45	000-028-737	SHAFT
46	000-024-603	SPRING
47	000-024-608	UPPER RETAINER
48	000-024-605	LOWER RETAINER
49	808-849-565	SCREW, FLAT HEAD, 1/4 - 20 X 3-1/2
50	070-007-192	WASHER
51	000-024-716	SPRING HOLDER
52	000-027-996	RUBBER CUSHION
53	831-566-002	NUT, HEX, 3/8 - 24
54	000-027-998	RETAINER
55	000-028-057	RETAINER
56	070-008-212	SPACER
57	070-008-211	SHEAVE
58	000-024-811	PULLEY ASSEMBLY, R.H.
59	839-665-002	NUT, FLEX LOCK, 3/8 - 16
60	000-024-659	LOWER YOKE
61	000-029-661	SHOCK ABSORBER
61A	070-011-323	SHOCK ABSORBER ASSEMBLY (includes 5, 32, 33, 34, 52, 53, 54, 55, 56, & 61)
62	000-027-642	WASHER
63	070-007-291	CLUTCH BEARING
64	000-024-812	PULLEY ASSEMBLY, L.H.
65	070-008-210	SHEAVE
66	090-003-401	CLUTCH RACE, LONG
67	070-011-796	LOWER SHAFT
N/A	700-107-170	LOCTITE #601 (applied to item 63)
N/A	700-107-146	ADHESIVE, LOCTITE TL242 (apply to item 11)

*Items 3 & 4 vary in length according to the space between the right and left pinspotters.



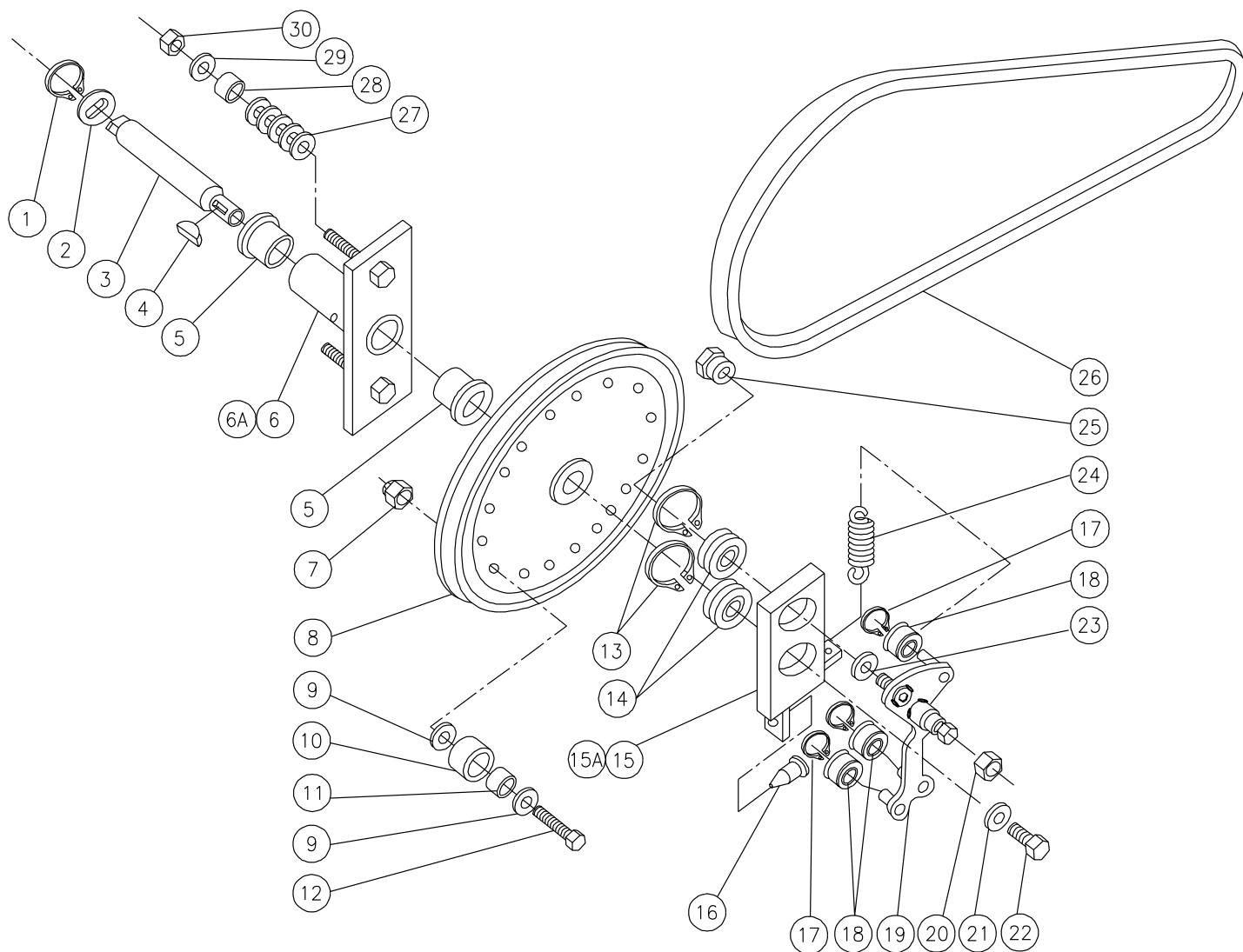
ITEM	PART NUMBER	DESCRIPTION
1	070-011-531	ARM ASSY WELDMENT, L.H. MACHINE
1A	070-011-530	ARM ASSY, L.H. MACHINE (includes 1 & 3)
1A1	070-011-524	BELT TIGHTENER, L.H. MACHINE (includes 1, 3, 4, 5, 6, 7, 8, & 10)
2	070-011-528	ARM ASSY WELDMENT, R.H. MACHINE
2A	070-011-527	ARM ASSY, R.H. MACHINE (includes 2 & 3)
2A1	070-011-523	BELT TIGHTENER, R.H. MACHINE (includes 2, 3, 4, 5, 6, 7, 8, & 10)
3	900-112-121	SLEEVE BEARING, .753 X .75
4	701-316-041	THRUST BEARING, .51 X 1 X 1/16

ITEM	PART NUMBER	DESCRIPTION
5	900-208-161	FLANGED BEARING, .503 X .875
6	000-002-071	IDLER PULLEY
6A	000-021-408	IDLER PULLEY ASSY, (includes 5 & 6)
7	948-975-172	WASHER, FLAT, 1-1/16 X 17/32 X 3/32
8	963-600-002	X-WASHER, 1/4
9	919-005-800	RETAINING RING
10	070-011-526	IDLER SHEAVE
10A	070-011-525	IDLER SHEAVE ASSY (includes 5 & 10)
11	000-029-603	SHAFT



ITEM	PART NUMBER	DESCRIPTION
1	000-021-423	COLLAR
2	807-357-040BG	SOC.SET SCREW KNURLED CUP PT. 5/16 - 18 X 1/4 LG. (10 PER BAG)
3	000-026-031	SPRING
4	000-029-605	SHAFT
5	000-029-606	SHAFT
6	000-029-659	HANGER ARM ASSEMBLY
7	000-029-625	HANGER ARM
8	900-110-081BG	BEARING-SLEEVE (5 PER BAG)
9	070-011-531	SPRING EXTENSION

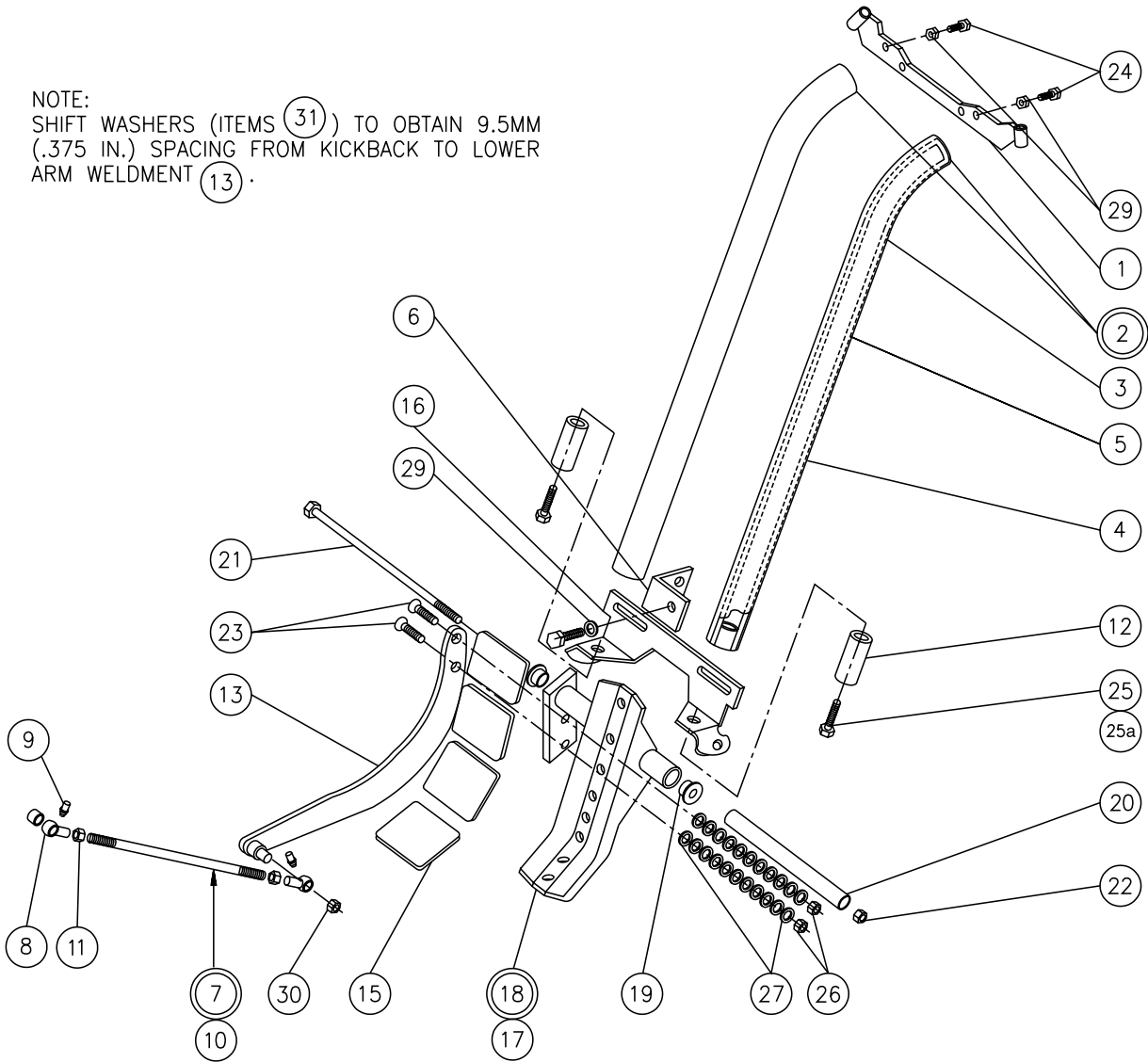
ITEM	PART NUMBER	DESCRIPTION
10	070-011-528	SPRING CLIP (NOT SHOWN)
11	070-011-131	PULLEY-WELDMENT
12	070-011-133	SHAFT
13	070-011-148	V-BELT
14	701-320-045	THRUST WASHER
15	807-257-060BG	SCR STCP 5/16 - 18 X 3/8 (BAG 10)
16	900-210-101BG	FLANGE BEARING (5 PER BAG)
17	919-005-600BG	TRU-ARC RING (10 PER BAG)



ITEM	PART NUMBER	DESCRIPTION
1	919-005-600	RETAINING RING
2	070-011-028	WASHER
3	070-011-027	SHAFT
4	907-000-200	KEY
5	900-212-161	FLANGED BEARING, .753 X 1.003 X 1
6	070-011-009	BEARING HOUSING WELDMENT
6A	070-011-036	BEARING & HOUSING ASSY (includes 5 & 6)
7	839-549-002	NUT, FLEX LOCK, 1/4 - 20
8	070-011-033	PULLEY
9	000-026-865	WASHER
10	070-011-030	ROLLER
11	070-011-031	ROLLER SPACER
12	809-849-205	SCREW, HEX, 1/4 - 20 X 1-1/4
13	919-000-600	RETAINING RING
14	000-024-679	BALL BEARING, .625 X 1.375
15	070-011-013	CRANK WELDMENT

ITEM	PART NUMBER	DESCRIPTION
15A	070-011-037	CRANK ASSY (includes 13, 14, 15, & 16)
16	070-006-142	BUMPER
17	919-005-200	RETAINING RING
18	070-011-040	RATCHET ROLLER
19	070-011-217	RATCHET ARM WELDMENT
20	838-866-002	NUT, HEX LOCK, 3/8 - 24, THIN
21	947-356-617	WASHER, 5/16
22	809-965-125	SCREW, HEX, 3/8 - 16 X 3/4
23	948-964-142	WASHER, FLAT, .375 X .875 X .094
24	070-011-032	SPRING
25	070-011-029	NUT
26	070-011-064	V-BELT, RATCHET DRIVE
27	948-767-132	WASHER, FLAT, 13/32 X 13/16 X 1/16
28	070-008-212	SPACER
29	948-761-112	WASHER, FLAT, 11/32 X 11/16 X 1/16
30	844-057-002	NUT, STOVER LOCK, 5/16 - 18

NOTE:
SHIFT WASHERS (ITEMS 31) TO OBTAIN 9.5MM
(.375 IN.) SPACING FROM KICKBACK TO LOWER
ARM WELDMENT 13.



ITEM	PART NUMBER	DESCRIPTION
1	000-021-813	SUPPORT WIPER
2	070-011-279	TRACK ASSEMBLY
3	000-024-663	TRACK COVER UPPER
4	070-011-440	TRACK COVER LOWER
5	000-024-666	TRACK RAIL WELDMENT
6	000-024-668	TRACK SUPPORT ASSEMBLY
7	070-011-048	ROD
8	000-026-446	ROD END WITH LUBE FITTING
9	710-502-010	LUBRICATOR FITTING
10	090-005-259	ROD ASY.
11	835-566-002	HEX JAM NUT
12	070-011-018	BALL GUIDE
13	070-011-218	LEVER ARM WELD.
15	090-002-024	LINER
16	070-008-191	BRACKET
17	070-011-412	LIFT ARM ASSEMBLY
18	070-011-411	LIFT ARM WELDMENT
19	900-210-161BG	FLANGE BEARING (5 PER BAG)
20	070-011-063	SHAFT

ITEM	PART NUMBER	DESCRIPTION
21	809-865-992BG	SCREW, HEX HD. CAP 3/8 - 16 X 9 LG. (10 PER BAG)
22	844-065-002BG	NUT STOVER 3/8 - 16 (10 PER BAG)
23	808-857-280BG	SCREW FLAT SOC. HEAD, 5/16 - 18 X 1 3/4 LG. (10 PER BAG)
24	809-865-165BG	SCREW, HEX HD. 3/8 - 16 X 1 LG. (10 PER BAG)
25	810-265-400BG	SCREW, SOC. HD. CAP, 3/8 - 16 X 2 - 1/2 LG. (10 PER BAG)
25a	810-365-401BG	SCREW SOC. HEAD CAP LONG LOC, 3/8 - 16 X 2 - 1/2 LG (10 PER BAG)
26	844-057-002BG	NUT, STOVER 5/16 - 18 (10 PER BAG)
27	948-767-132BG	WASHER, PLAIN, 13/32 I.D. X 13/16 O.D. X 1/16 THK. (10 PER BAG)
28	958-584-002	SHAKEPROOF WASHER
29	951-164-002BG	LOCKWASHER SPRING 3/8 MEDIUM (10 PER BAG)
30	838-866-002BG	ESNA HEX NUT 3/8 - 24 (10 PER BAG)
31	070-011-414	PBL TRACK RAIL ASSEMBLY



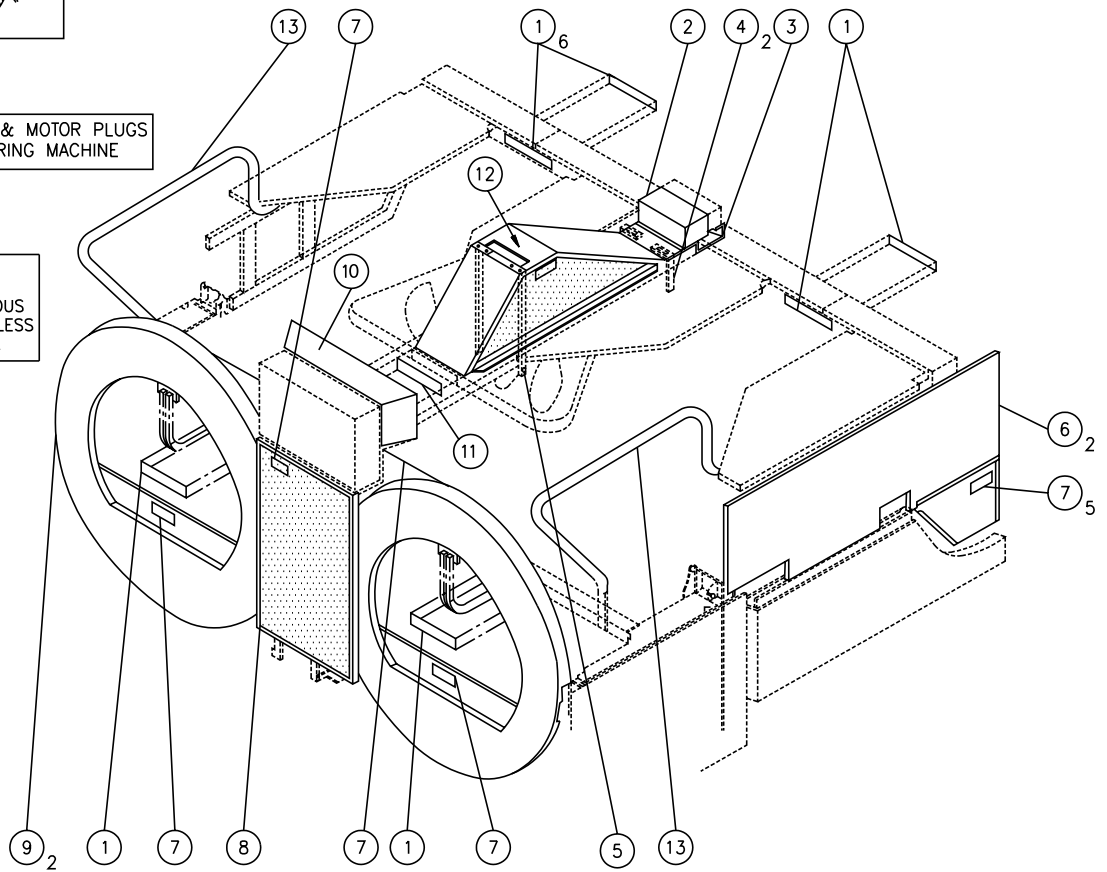
ITEM 1 "WARNING" LABEL

WARNING—PULL POWER & MOTOR PLUGS
BEFORE ENTERING MACHINE

ITEM 11 "WARNING" LABEL

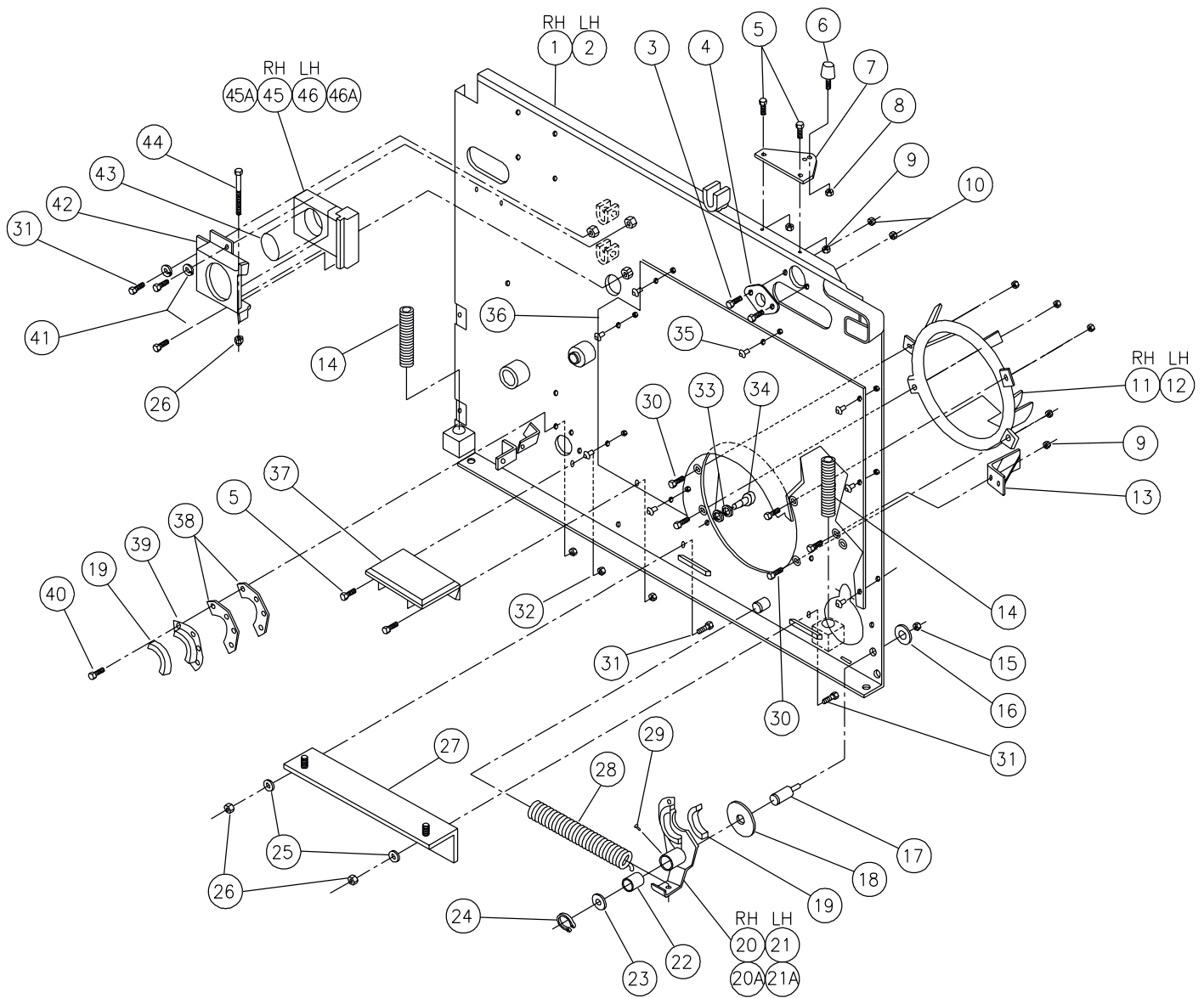
DANGER
CONTACT WITH MOVING
MACHINERY CAN CAUSE SERIOUS
INJURY. DO NOT OPERATE UNLESS
ALL GUARDS ARE IN PLACE.

ITEM 7 "DANGER" LABEL



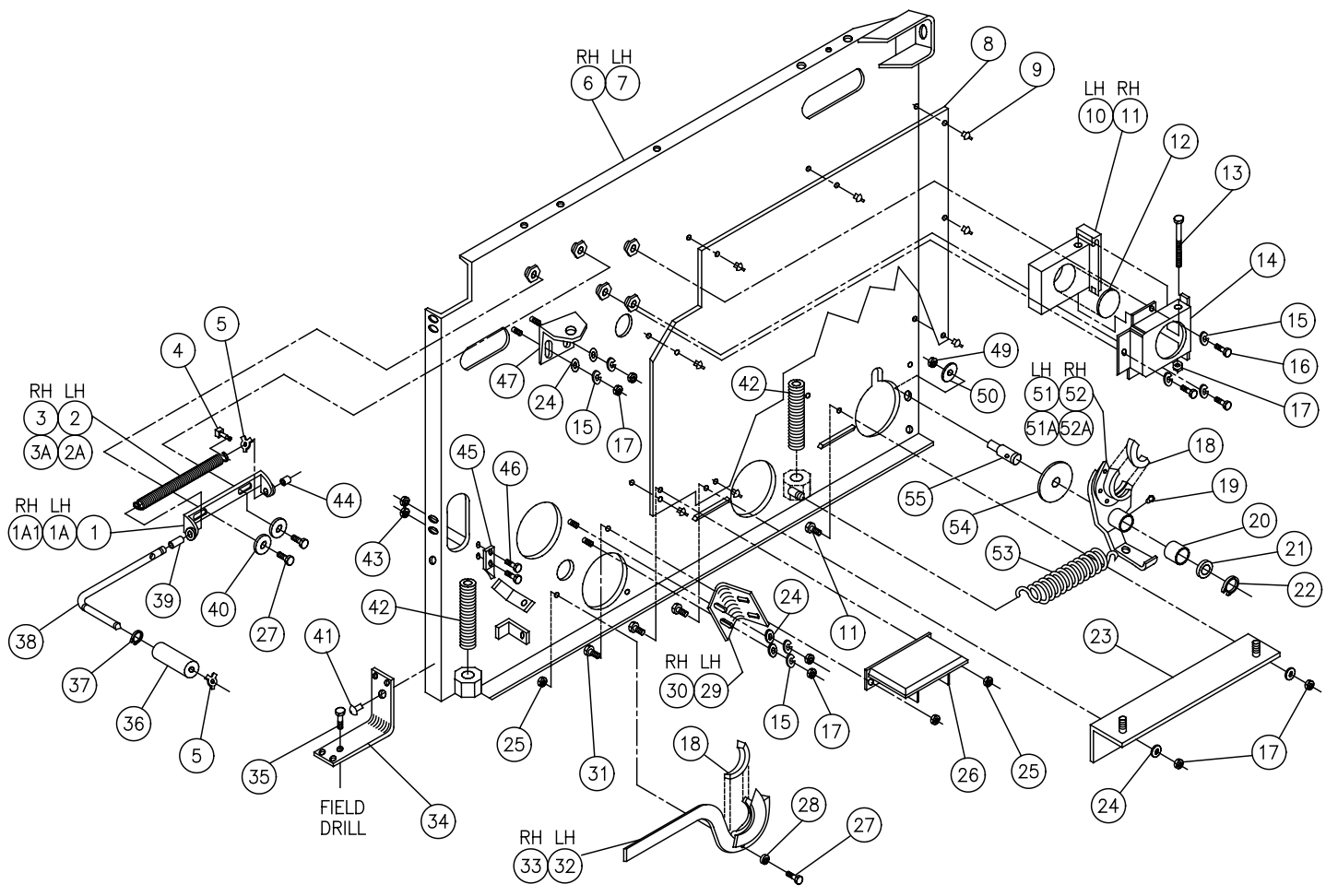
ITEM	PART NUMBER	DESCRIPTION
1	090-004-028	"WARNING" LABEL
2	090-004-708	FRONT END BOX COVER GUARD
3	090-004-709	FRONT END COVER GUARD
4	070-004-691	REAR BRACKET
5	070-010-238	FRONT BRACKET
6	070-005-585	END MACHINE SIDE GUARD
7	070-011-211	"DANGER" DECAL
8	090-004-420	BACK END SCREEN GUARD

ITEM	PART NUMBER	DESCRIPTION
9	090-007-145	PIN ELEVATOR WHEEL GUARD ASSEMBLY (BLACK)
10	090-004-707	BACK END MOTOR CHASSIS MOUNTING BRACKET COVER GUARD
11	070-005-614	"WARNING" DECAL
12	070-011-401	BALL LIFT GUARD WELDMENT
13	090-005-118	HAND RAIL



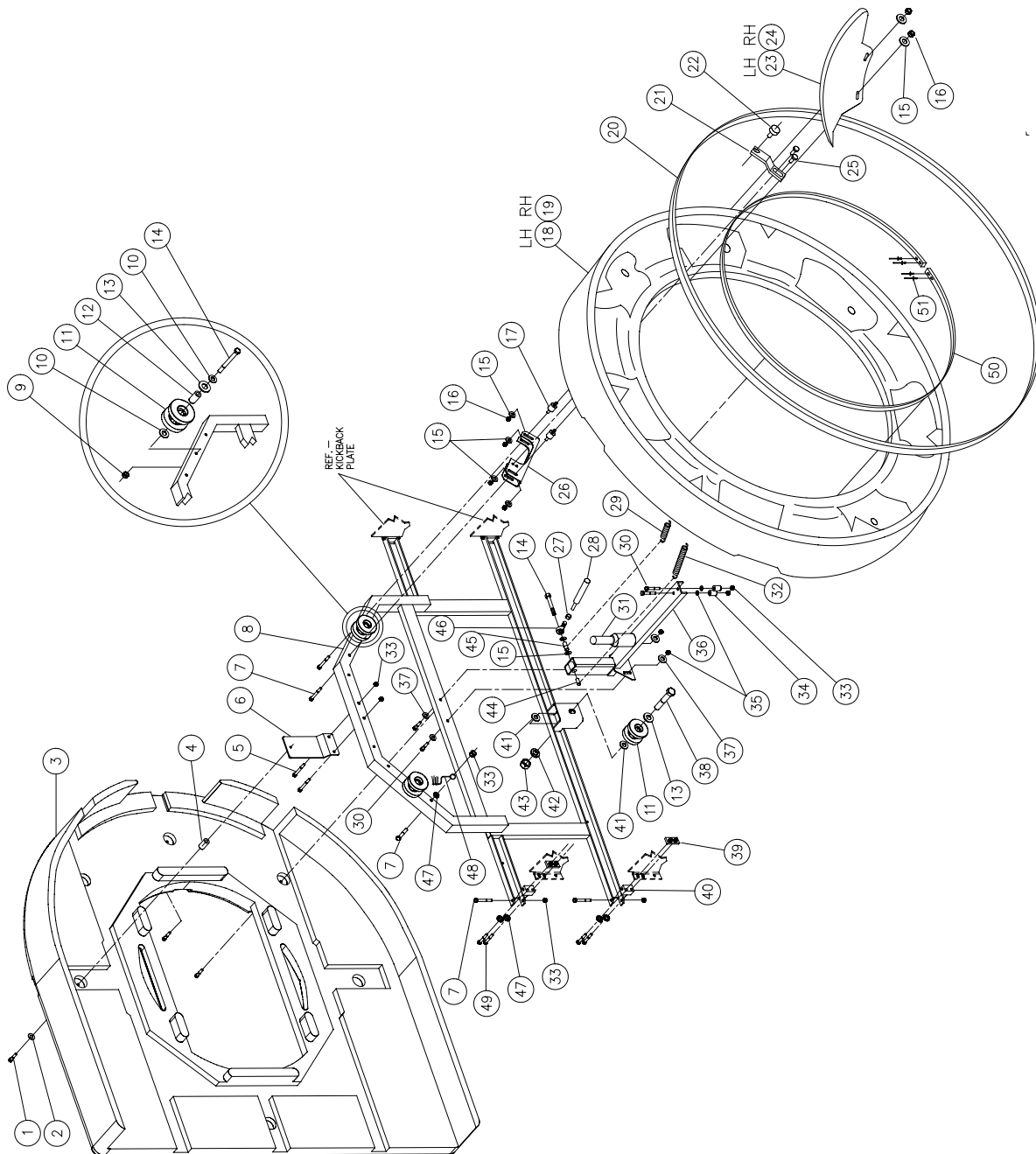
ITEM	PART NUMBER	DESCRIPTION
1	090-004-126	KICKPLATE, R.H. SIDE, R.H. MACHINE
2	090-004-129	KICKPLATE, L.H. SIDE, L.H. MACHINE
3	808-549-160	SCREW, BUTTON HEAD, 1/4 - 20 X 1
4	070-011-286	CURTAIN ROD BUSHING
5	809-857-125	SCREW, HEX, 5/16 - 18 X 3/4
6	000-024-641	STOP BUMPER
7	070-004-642	BALL LIFT STOP BRACKET
8	835-558-002	NUT, HEX JAM, 5/16 - 24
9	844-057-002	NUT, STOVER LOCK, 5/16 - 18
10	844-049-002	NUT, STOVER LOCK, 1/4 - 20
11	070-011-006	DOOR WELDMENT, R.H. MACHINE
12	070-011-005	DOOR WELDMENT, L.H. MACHINE
13	000-024-668	TRACK SUPPORT BRACKET
14	000-024-890	SETSCREW
15	844-074-002	NUT, STOVER LOCK, 1/2 - 20
16	948-975-172	WASHER, FLAT, 1-1/4 X 1/2 X 1/16
17	000-029-015	PIVOT STUD
18	000-027-641	THRUST BEARING
19	000-022-924	SUPPORT BEARING
20	000-029-602	BRACKET WELDMENT, R.H. SIDE, R.H. MACHINE
20A	000-029-672	BEARING BRACKET ASSEMBLY, R.H. SIDE, R.H. MACHINE (Includes 19, 20, 22, & 29)
21	000-022-248	BRACKET WELDMENT L.H. SIDE, L.H. MACHINE
21A	000-022-249	BEARING BRACKET ASSEMBLY, L.H. SIDE, L.H. MACHINE (Includes 19, 21, 22, & 29)
22	900-112-203	SLEEVE BEARING, .753 X 1-1/4

ITEM	PART NUMBER	DESCRIPTION
23	000-027-642	FRONT ROLLER SUPPORT WASHER
24	919-005-800	RETAINING RING
25	948-767-132	WASHER, 13/32 X 13/16 X 1/16
26	839-665-002	NUT, FLEX LOCK, 3/8 - 16
27	090-004-131	PIT SUPPORT BRACKET
28	000-021-204	SPRING
29	710-501-009	GREASE FITTING
30	808-857-120	SCREW, FLAT HEAD, 5/16 - 18 X 3/4
31	809-865-165	SCREW, HEX, 3/8 - 16 X 1
32	844-057-002	NUT, FLEX LOCK, 5/16 - 24
33	070-011-050	WASHER, SPECIAL
34	000-028-362	BUMPER, URETHANE
35	937-000-000	DRIVE RIVET (field replacement)
36	000-029-640	KICKBACK PANEL
37	000-022-878	ANGLE
38	090-004-136	SPACER
39	000-022-926	RETAINER SUPPORT
40	808-557-120	SCREW, BUTTON HEAD, 5/16 - 18 X 3/4
41	951-164-002	WASHER, SPLIT LOCK, 3/8
42	000-022-788	BOX SUPPORT
43	000-022-300	SHIELD
44	809-865-645	SCREW, HEX, 3/8 - 16 X 4
45	000-022-794	BLOCK SUPPORT, R.H. SIDE
45A	000-022-796	URETHANE BLOCK SUPPORT R.H.
46	000-022-795	BLOCK SUPPORT, L.H. SIDE
46A	000-022-797	URETHANE BLOCK SUPPORT L.H.
n/a	008-100-413	LOCTITE ADHESIVE #404 (apply between items 43 & 45 or 43 & 46, as applicable)



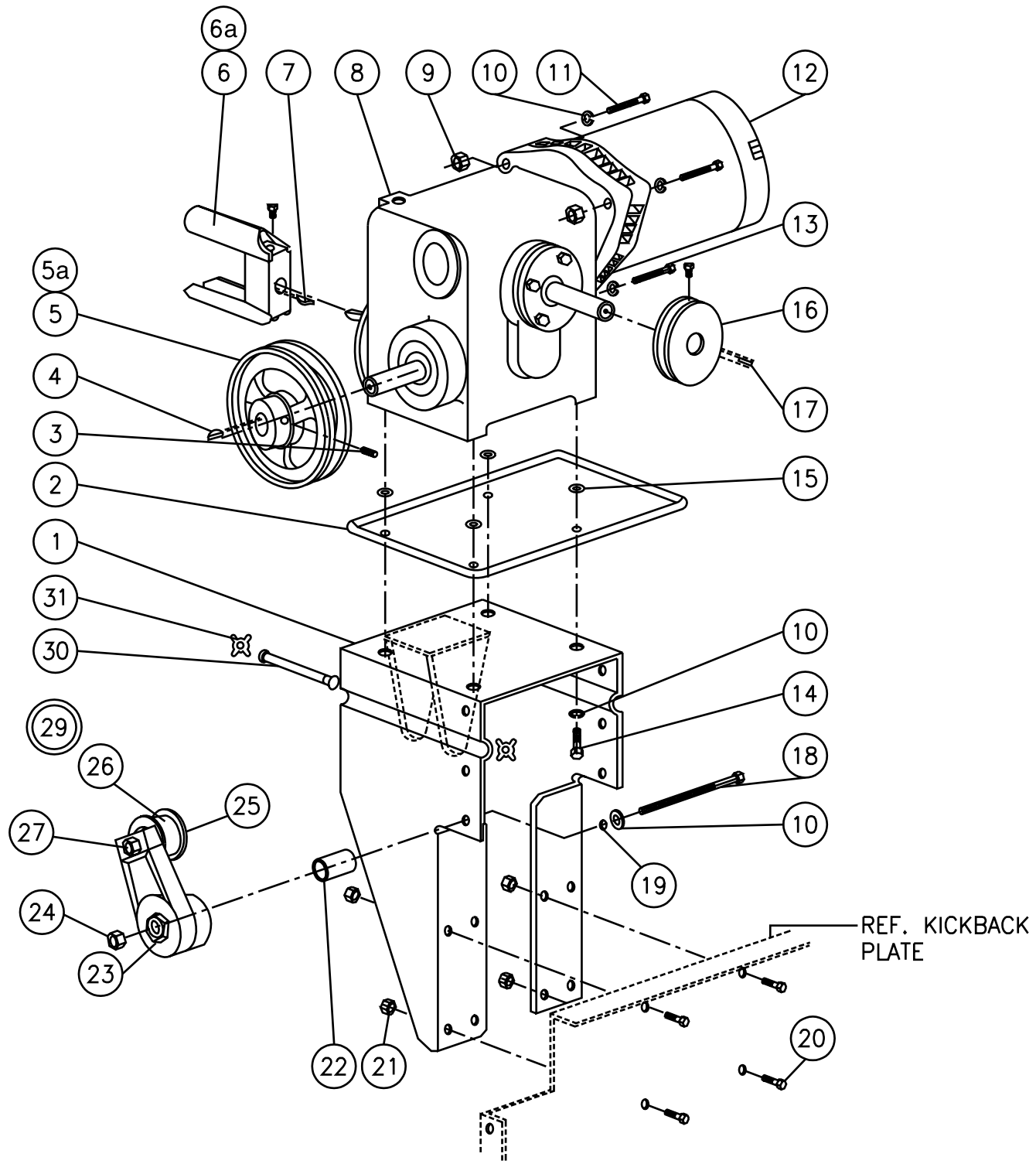
ITEM	PART NUMBER	DESCRIPTION
1	000-024-509	PIN EJECTOR BRACKET
1A	000-024-510	BRACKET ASSEMBLY, L.H. MACHINE (includes 1, 39 & 44)
1A1	000-024-511	BRACKET ASSEMBLY, R.H. MACHINE (includes 1, 39 & 44)
2	000-024-512	PIN EJECTOR SPRING, L.H. MACHINE
2A	000-024-507	PIN EJECTOR ASSEMBLY, L.H. MACHINE (includes 1, 2, 4, 5, 36, 37, 38, 39, & 44)
3	000-024-513	PIN EJECTOR SPRING, R.H. MACHINE
3A	000-024-508	PIN EJECTOR ASSEMBLY, R.H. MACHINE (includes 1, 3, 4, 5, 36, 37, 38, 39, & 44)
4	000-029-317	STOP PIN
5	963-600-002	X-WASHER, 1/4 9000-16
6	090-004-128	KICKBACK WELDMENT R.H. SIDE, L.H. MACHINE
7	090-004-127	KICKBACK WELDMENT L.H. SIDE, R.H. MACHINE (NOT SHOWN)
8	070-002-027	KICKBACK PANEL
9	937-000-000	DRIVE RIVET (field replacement)
10	000-022-794	BLOCK SUPPORT R.H.
10A	000-022-797	BLOCK SUPPORT R.H. URETHANE
11	000-022-795	BLOCK SUPPORT, L.H. SIDE
11A	000-022-796	BLOCK SUPPORT L.H. URETHANE
12	000-022-300	SHIELD
13	809-865-645	SCREW, HEX, 3/8 - 16 X 4
14	000-022-788	BOX SUPPORT
15	951-164-002	WASHER, SPLIT LOCK, 3/8
16	809-865-165	SCREW, HEX, 3/8 - 16 X 1
17	839-665-002	NUT, FLEX LOCK, 3/8 - 16
18	000-022-924	SUPPORT BEARING
19	710-501-009	GREASE FITTING
20	900-112-203	SLEEVE BEARING, .753 X 1-1/4
21	000-027-642	WASHER
22	919-005-800	RETAINING RING
23	090-004-131	PIT SUPPORT BRACKET
24	948-767-132	WASHER

ITEM	PART NUMBER	DESCRIPTION
25	844-057-002	NUT, STOVER LOCK, 5/16 - 18
26	000-022-878	ANGLE
27	809-857-165	SCREW HEX, 5/16 - 18 X 1
28	000-023-467	FLANGED BEARING, .314 X .434 X .310
29	000-023-432	CLIP, BOTTOM, L.H. MACHINE
30	000-023-431	CLIP, BOTTOM, R.H. MACHINE
31	809-857-125	SCREW, HEX, 5/16 - 18 X 3/4 LG.
32	000-023-465	SUPPORT WELDMENT, L.H. MACHINE
33	000-023-464	SUPPORT WELDMENT, R.H. MACHINE
34	000-026-464	KICKBACK BRACKET
35	709-013-059	SCREWBOLT, HEX, 8 mm X 75 mm
36	000-025-803	ROLLER, PIN EJECTOR ASSEMBLY
37	919-005-400	RETAINING RING
38	000-025-804	SHAFT, PIN EJECTOR ASSEMBLY
39	000-024-515	SLEEVE BEARING, .44 X .56 X 3/4
40	000-028-334	WASHER
41	937-710-005	ALUMINUM DRIVE RIVET
42	000-024-890	SETSCREW
43	844-049-002	NUT, STOVER LOCK, 1/4 - 20
44	000-024-516	SLEEVE BEARING, .44 X .56 X 3/8
45	000-023-468	BRACKET
46	809-849-125	HEX HD. CAP SCREW, 1/4 - 20 X 3/4 LG., GRADE 8
47	000-023-821	SIDE CLIP WELDMENT
49	844-074-002	NUT, STOVER LOCK, 1/2 - 20
50	941-072-200	WASHER FLAT 1/2 X 1-1/4 X .083 (BAG 10)
51	000-021-043	BRACKET WELDMENT, L.H. SIDE, R.H. MACHINE (NOT SHOWN)
51A	000-027-645	BRACKET SUPPORT, L.H. SIDE, R.H. MACHINE (NOT SHOWN) (includes: 18, 19, 20 & 51)
52	000-021-044	BRACKET WELDMENT, R.H. SIDE, L.H. MACHINE
52A	000-027-646	BRACKET SUPPORT, R.H. SIDE, L.H. MACHINE (includes: 18, 19, 20 & 52)
53	000-021-204	SPRING
54	000-027-641	THRUST BEARING
55	000-029-015	PIVOT STUD



ITEM	PART NUMBER	DESCRIPTION
1	826-057-242	SCREW, THREAD FORMING, 5/16 - 18 X 1-1/2
2	090-004-055	WASHER
3	090-007-145	WHEEL GUARD, REVERSIBLE
4	090-007-241	SPACER
5	809-857-445	SCREW, HEX, 5/16 - 18 X 2-3/4
6	090-003-111	UPPER GUARD SUPPORT
7	809-857-405	SCREW, HEX, 5/16 - 18 X 2-1/2
8	090-003-102	HOOP WELDMENT
9	844-065-002	NUT, STOVER LOCK, 3/8 - 16
10	947-367-141	WASHER, 7/8 X 13/32 X 1/8
11	090-007-327	PIN ELEVATOR ROLLER
12	090-003-116	SPACER
13	950-001-008	WASHER, NYLON, .750 X 1.25 X .08
14	809-865-725	SCREW, HEX, 3/8 - 16 X 4-1/2
15	948-767-132	WASHER, 13/16 X 13/32 X 1/16
16	834-557-002	NUT, HEX, 5/16 - 18
17	000-029-068	RUBBER MOUNTING
18	090-004-117	PIN WHEEL WELDMENT, L.H. MACHINE
19	090-004-116	PIN WHEEL WELDMENT, R.H. MACHINE
20	090-002-065	PIN WHEEL BELT
21	070-001-415	RAIL STOP BRACKET
22	000-021-992	BUMPER
23	070-006-099	RAIL, L.H. MACHINE
24	070-006-098	RAIL, R.H. MACHINE
25	824-757-102	SCREW, WASHER HEAD, 5/16 - 18 X 5/8
26	090-005-120	RAIL STANDOFF BRACKET

ITEM	PART NUMBER	DESCRIPTION
27	831-566-002	NUT, HEX, 3/8 - 24
28	070-006-047	SAFETY LINK TUBE
29	000-026-032	DISTRIBUTOR LATERAL DRIVE SPRING
30	809-857-365	SCREW, HEX, 5/16 - 18 X 2-1/4
31	070-006-045	DISTRIBUTOR SUPPORT POST
32	070-006-030	SAFETY LINK SPRING
33	844-057-002	NUT, STOVER LOCK, 5/16 - 18
34	070-008-449	SPACER
35	948-761-112	WASHER, FLAT, 11/16 X 11/32 X 1/16
36	090-003-112	DISTRIBUTOR MOUNT
37	947-356-617	WASHER, FLAT, 11/32 X 5/16
38	880-781-240	SHOULDER BOLT, SOCKET HEAD, 3/4 X 1-1/2
39	090-005-123	NUT PLATE
40	090-005-106	HINGE/SPACER
41	948-809-210	WASHER, FLAT, 1-5/16 X 5/8 X .09
42	951-181-002	WASHER, SPLIT LOCK, 5/8
43	840-381-002	NUT, FLEX LOCK, 5/8-11
44	070-006-044	SPRING POST NUT, 3/8 - 16
45	070-006-043	SPACER
46	090-005-256	ROD END
47	951-156-002	WASHER, SPLIT LOCK, 5/16
48	090-005-144	STATIC BRUSH
49	809-857-325	SCREW, HEX, 5/16-18 X 2
50	090-005-108	PIN WHEEL STRIP
51	938-523-050	POP RIVET, 1/8 X .251 X .31

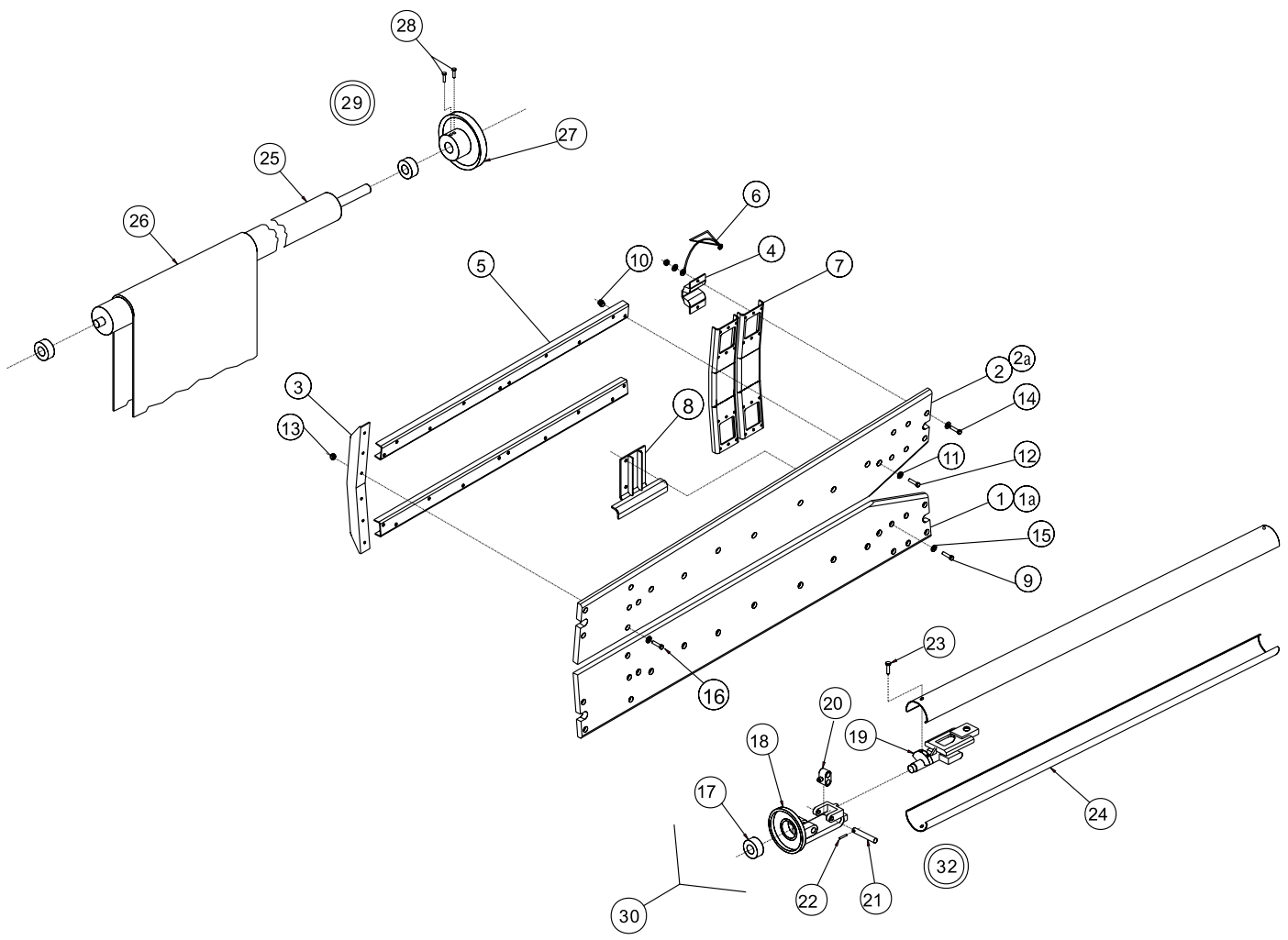


ITEM	PART NUMBER	DESCRIPTION
1	090-003-509	MOTOR MOUNT WELDMENT ASS'Y
2	090-004-517	BACK END MOTOR DRIP PAN
3	807-358-060	SOCKET SET SCREW, 5/16 - 24 X 3/8 LG.
4	907-201-000	KEY, HI-PRO # HP-606
5	000-023-673	PIN ELEVATOR SHEAVE
5a	000-024-598	ADJUSTABLE SPEED PIN FEED PULLEY
6	000-027-390	DISTRIBUTOR DRIVE HOUSING (ORIGINAL)
6a	090-001-130	DISTRIBUTOR DRIVE HOUSING (WIDE)
7	907-000-300	KEY
8	090-004-501	GEARBOX R.H. 60 Hz
	090-004-502	GEARBOX L.H. 60 Hz
	090-004-506	GEARBOX R.H. 50 Hz
	090-004-507	GEARBOX L.H. 50 Hz
9	839-665-002	FLEX LOC NUT, 3/8 - 16
10	951-164-002	SPLIT LOCK WASHER, 3/8
11	809-865-325	HEX HD. CAP SCREW, 3/8 - 16 X 2 LG.
12	090-007-310	MOTOR, 50 Hz
	090-003-766	MOTOR, 60 Hz
13	809-865-245	HEX HD. CAP SCREW, 3/8 - 16 X 1 - 1/2 LG.
14	809-865-165	HEX HD. CAP SCREW, 3/8 - 16 X 1 LG.
15	000-023-758	PAPER WASHER, 3/8 I.D. X 7/8 O.D.
16	000-022-172	PULLEY
17	907-202-600	KEY, SQUARE 3/16 X 3/16 X 2 LG.

ITEM	PART NUMBER	DESCRIPTION
18	070-003-221	HEX HD. CAP SCREW, 3/8 - 16 X 3 - 1/2 LG.
19	948-767-132	FLAT WASHER, 13/32 I.D. X 13/16 O.D. X 1/16 THK.
20	809-857-125	HEX HD. CAP SCREW, 5/16 - 18 X 3/4 LG.
21	844-057-002	STOVER LOCK NUT 5/16 - 18
22	090-004-519	SPACER
23	090-003-508	TENSIONER ASSEMBLY
24	831-565-002	HEX NUT, 3/8 - 16
25	809-865-325	HEX HD. CAP SCREW, 3/8 - 16 X 2 LG.
26	090-004-444	IDLER PULLEY
27	835-565-002	HEX JAM NUT, 3/8 - 16
28	090-004-120	STUB SHAFT (NOT SHOWN)
29	070-002-007	BELT TIGHTENER PULLEY ASSEMBLY
30	000-022-821	SHOCK PIN
31	963-600-002	X-WASHER
32	700-107-146	LOCTITE - OBS
	090-003-514	GEARBOX R.H. 60 Hz ASSEMBLY
	090-003-515	GEARBOX L.H. 60 Hz ASSEMBLY
	090-003-512	GEARBOX L.H. 50 Hz ASSEMBLY
	090-003-513	GEARBOX R.H. 50 Hz ASSEMBLY

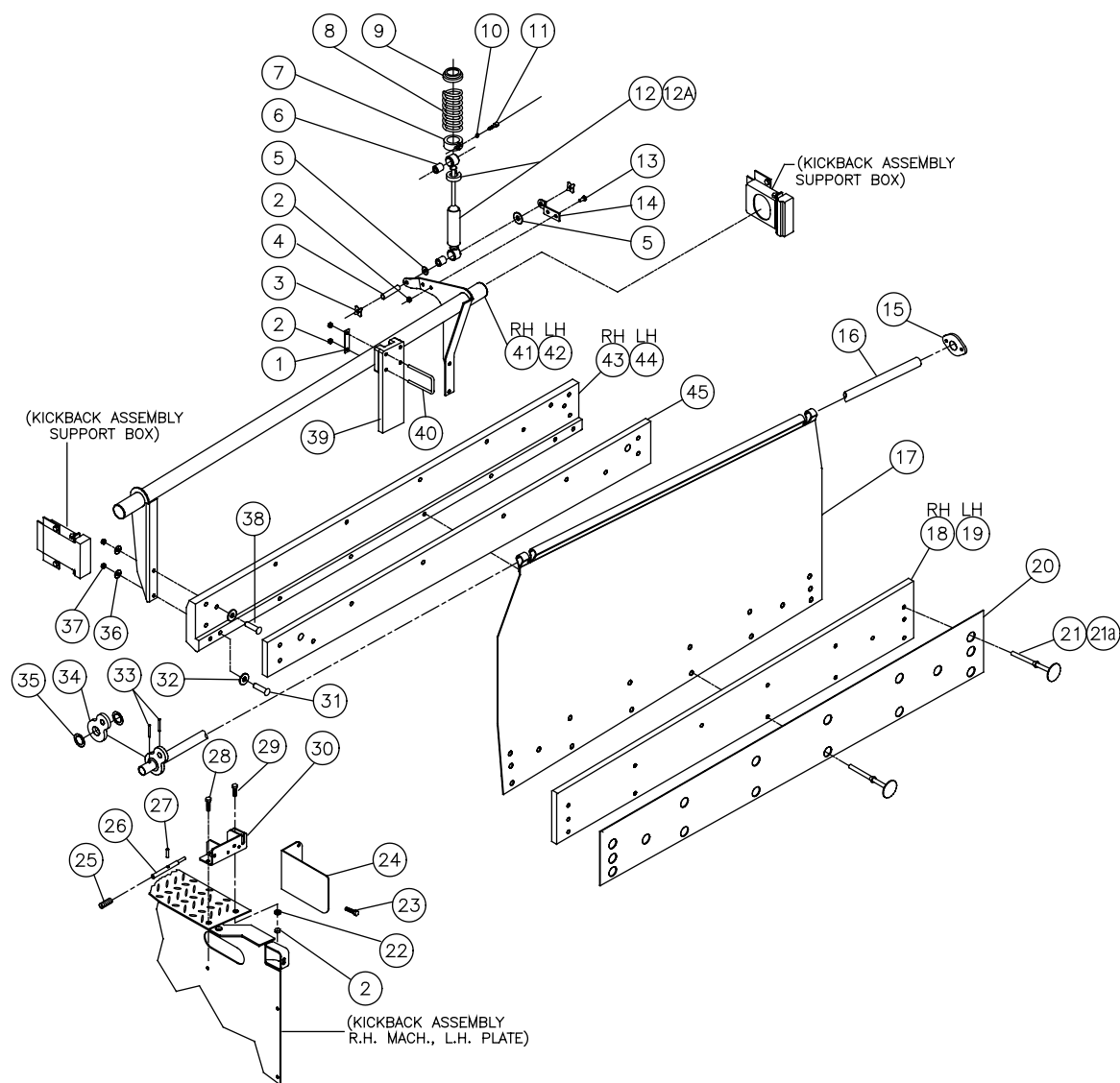
ITEM	PART NUMBER	DESCRIPTION
1	844-057-002	STOVER LOCKNUT, 5/16 - 18
2	070-001-195	PIN EJECTOR
3	000-029-068	RUBBER SHOCK MOUNTING
4	090-004-211	L.H. TREAD WELDMENT (SHOWN)
4a	090-004-210	R.H. TREAD WELDMENT (NOT SHOWN)
5	809-857-205	HEX HD. CAP SCREW, 5/16 - 18 X 1 - 14 LG.
6	948-761-112	WASHER, 11/16 O.D. X 11/32 I.D. X 1/16 THK.
7	809-857-165	HEX HD. CAP SCREW, 5/16 - 18 X 1 LG.
8	070-001-184	STRAP WELDMENT
9	809-857-125BG	SCR-HX 5/16 - 18 X 3/4 (BAG 10)
10	000-027-100	L.H. APRON ASS'Y.
10a	000-027-099	R.H. APRON ASS'Y. (NOT SHOWN)
11	808-858-120	FL.HD. SOC. CAP SCREW, 5/16 - 24 X 3/4 LG.
12	000-027-380	L.H. PLOW & MAT ASS'Y. LARGE (SHOWN)
12a	000-027-372	R.H. PLOW & MAT ASS'Y. LARGE (NOT SHOWN)
13	808-849-120	FL.HD. SOC. CAP SCREW, 1/4 - 20 X 3/4 LG.

ITEM	PART NUMBER	DESCRIPTION
14	948-753-102	WASHER, 5/8 O.D. X 9 / 32 I.D. X 1/16 THK.
15	844-049-002	STOVER LOCKNUT, 1/4 - 20
16	948-767-132	PLAIN WASHER, 47/64 O.D. X 13/32 I.D. X 1/16 THK.
17	951-164-002	SPLIT LOCK WASHER, 3/8
18	808-566-160	BUTTON HD. SOC. CAP SCREW, 3/8 - 24 X 1 LG.
19	070-007-359	SUPPORT BRACKET
20	090-004-028	WARNING DECALS
21	070-002-169	L.H. PLOW & MAT ASS'Y. SMALL (NOT SHOWN)
21a	070-001-412	R.H. PLOW & MAT ASS'Y. SMALL
22	070-001-185	BRACE
23	808-858-240	FL.HD.SOC. CAP SCREW, 5/16 - 24 X 1 - 1/2 LG.
24	809-858-125	HEX HD. CAP SCREW, 5/16 - 24 X 3/4 LG.



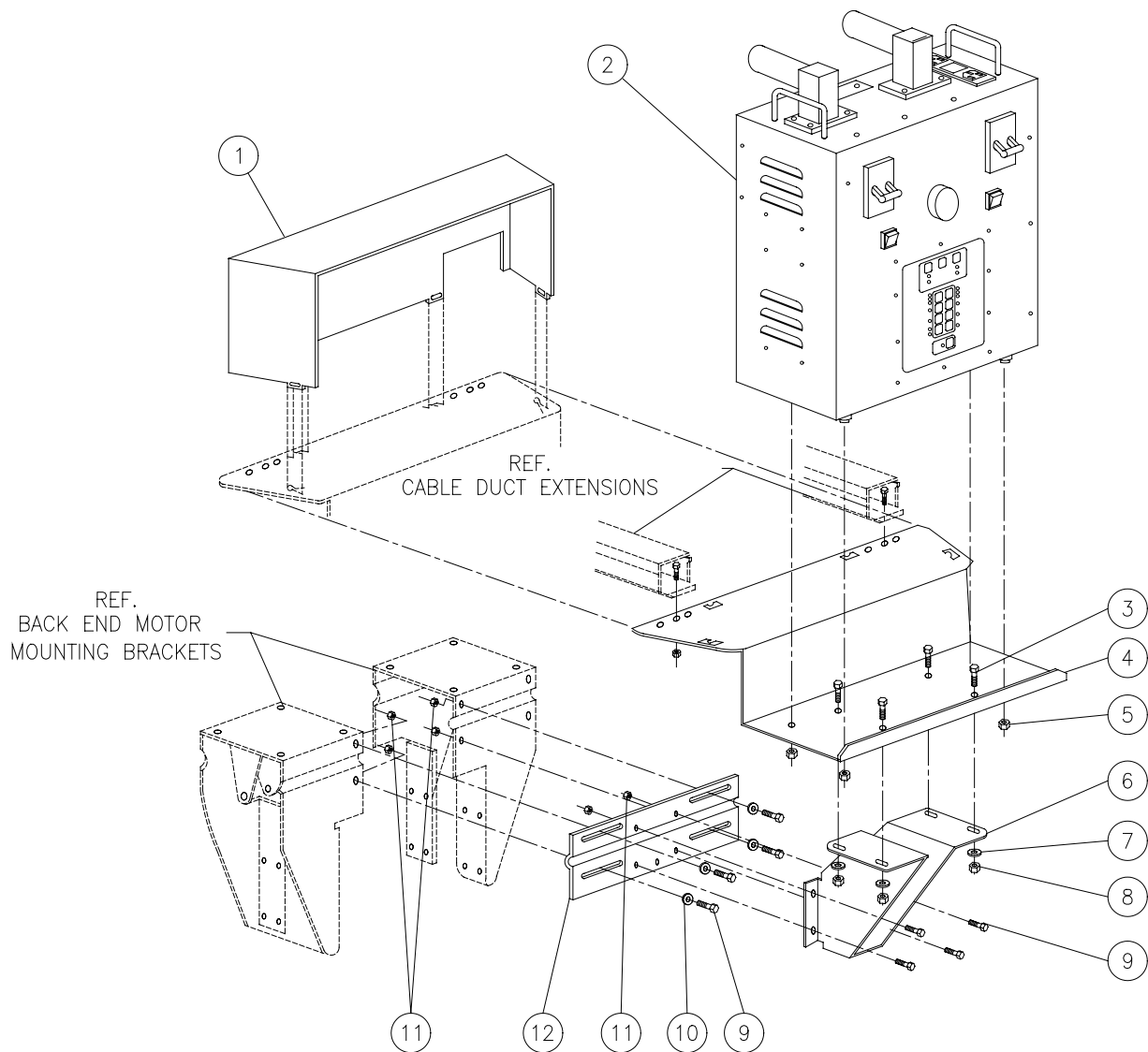
ITEM	PART NUMBER	DESCRIPTION
1	090-005-270	BOUNCE BOARD RF
1a	090-005-271	BOUNCE BOARD LF (NOT SHOWN)
2	090-005-272	BOUNCE BOARD RR
2a	090-005-273	BOUNCE BOARD LR (NOT SHOWN)
3	000-029-626	ANGLE SUPPORT
4	000-021-224	VIBRATION DAMPENER
5	090-005-274	REINFORCING BAR
6	000-025-622	BONDING STRAP
7	000-021-914	CHANNEL
8	070-007-769	BALL IDLING BRACKET
9	809-849-325	SCR-HEX 1/4 - 20 X 2
10	844-057-002	STVR-LK NUT 5/16 - 18
11	948-761-112	WSHR. 343 I.D.X 625 O.D. X .06
12	809-857-205	SCR-HEX 1/4 - 20 X 1 - 1/4
13	844-049-002	STVR-LK 1/4 - 20
14	809-857-205	SCR-HEX 1/4 - 20 X 1 - 1/4
15	948-753-102	WSHR .281 I.D. X .625 O.D. X .06
16	809-849-165	SCR-HEX 1/4 - 20 X 1

ITEM	PART NUMBER	DESCRIPTION
17	000-024-590	BEARING
18	000-024-579	HINGE ROLLER
19	000-024-580	HINGE SHAFT
20	000-024-597	LINK ASSEMBLY
21	000-024-582	ROLLER PIN
22	913-411-100	ESNA ROLL PIN
23	000-025-662	NYLOC SCREW
24	000-024-578	ROLLER BODY
25		REAR ROLLER - SEE ITEM 29
26a	090-006-124	PREMIUM CARPET
26b	000-026-756	WOVEN MONOFILAMENT SPLIT FINGER SPLICE BELT
27	090-004-203	CARPET DRIVE SHEAVE
28	806-265-160	SO HD. SCREW CUP PT. 3/16 - 16 X 1 LG.
29	070-002-034	REAR ROLLER ASSEMBLY
30	000-024-576	FRONT ROLLER ASSEMBLY
31	612-070-014	REAR ROLLER REPAIR KIT
32	000-024-592	HINGE ASSEMBLY



ITEM	PART NUMBER	DESCRIPTION
1	070-001-421	STRAP
2	844-057-002	NUT, STOVER LOCK, 5/16 - 18
3	963-600-002	X-WASHER
4	000-022-821	PIN
5	948-975-172	WASHER, FLAT, 1-1/16 X 17/32 X 3/32
6	000-022-822	SLEEVE
7	000-022-286	CUSHION STRUT COLLAR
8	000-022-288	SPRING
9	000-022-287	SPRING SEATING WASHER
10	951-148-002	LOCK WASHER, 1/4 SAE
11	810-250-200	SCREW, SOCKET HEAD CAP, 1/4 - 28 X 1-1/4
12	000-022-823	SHOCK ABSORBER w/UPPER COLLAR
12A	000-022-824	SHOCK ASSY (Includes 6, 7, 8, 9, 10, 11 & 12)
13	809-857-125	SCREW, HEX, 5/16 - 18 X 3/4
14	000-024-534	HANGER EAR
15	070-011-286	CURTAIN ROD BUSHING
16	070-011-288	CURTAIN ROD
17	000-026-450	CURTAIN ASSEMBLY
18	000-024-807	RUBBER CUSHION, R.H. MACHINE
19	000-024-808	RUBBER CUSHION, L.H. MACHINE
20	090-005-230	CUSHION COVER
21	000-028-519	RIVET, CUSHION ASSEMBLY
21a	000-028-529	RIVET, URETHANE
22	948-761-112	WASHER, 11/32 X 11/16 X 1/16

ITEM	PART NUMBER	DESCRIPTION
23	809-849-125	SCREW, HEX, 1/4 - 20 X 3/4
24	070-004-738	GUARD
25	070-001-389	CURTAIN LATCH SPRING
26	070-001-396	CURTAIN LATCH PIN
27	913-431-160	SPRING PIN, .156 X 1
28	809-857-205	SCREW, HEX, 5/16 - 18 X 1-1/4
29	809-857-165	SCREW, HEX, 5/16 - 18 X 1
30	070-007-360	SUPPORT BRACKET WELDMENT
31	808-865-400	SCREW, FLAT HEAD, 3/8 - 16 X 2-1/2
32	000-024-801	WASHER
33	913-437-240	SPRING PIN, .187 X 1-1/2
34	070-005-610	CURTAIN LINK
35	945-091-242	WASHER, 1-1/2 X 1 X .046
36	951-164-002	WASHER, SPLIT LOCK, 3/8
37	844-065-002	NUT-STOVER LOCK, 3/8 - 16
38	808-865-320	SCREW, FLAT HEAD, 3/8 - 16 X 2
39	070-001-432	PAD
40	070-001-422	U-BOLT
41	070-002-050	TUBE WELDMENT, R.H. MACHINE
42	070-002-252	TUBE WELDMENT, L.H. MACHINE
43	000-024-796	PLANK, R.H. MACHINE
44	000-024-795	PLANK, L.H. MACHINE
45	000-022-770	SPONGE RUBBER CUSHION PAD

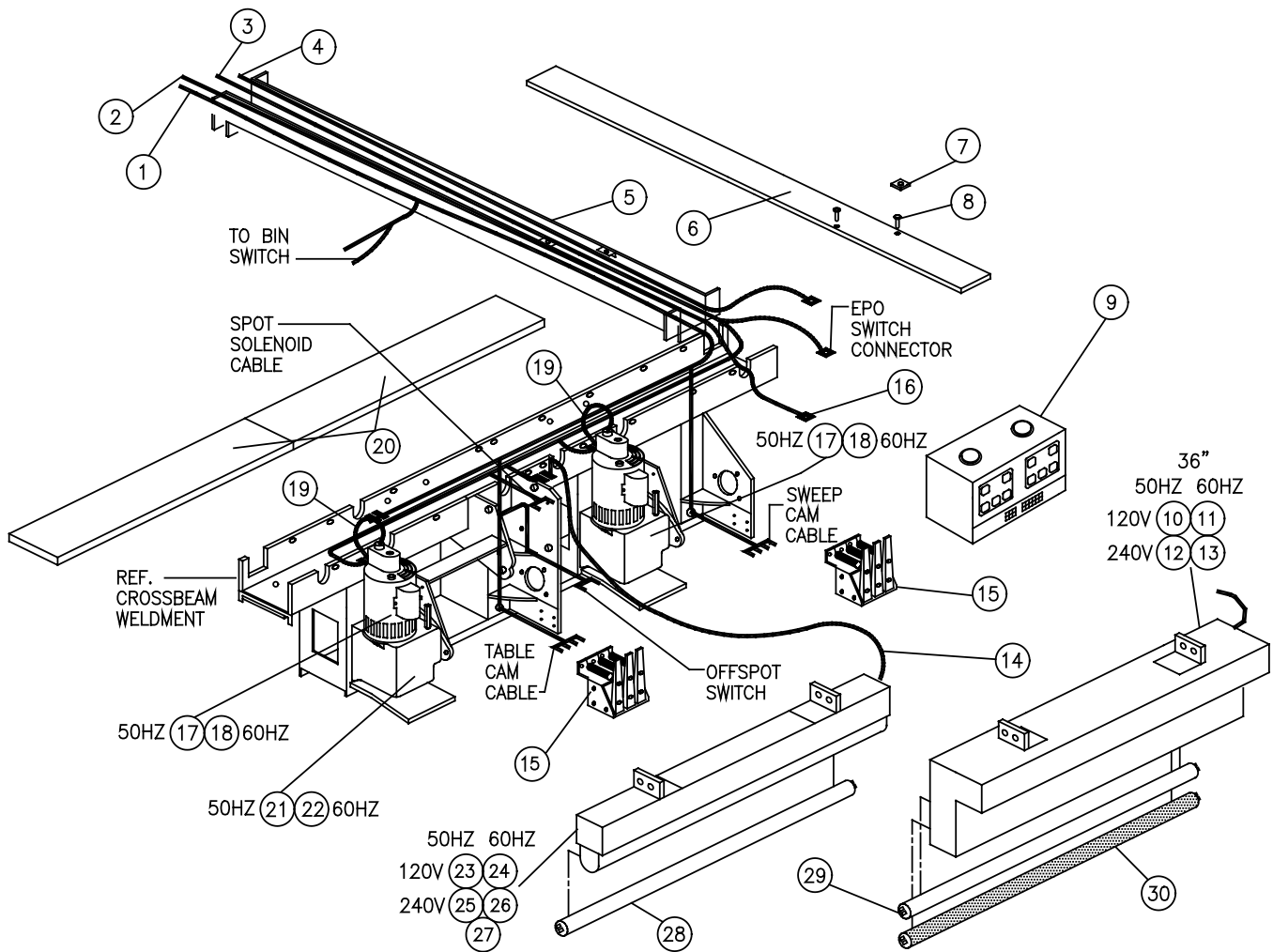


ITEM	PART NUMBER	DESCRIPTION
1	090-004-707	CHASSIS COVER
2	090-008-965	90XL PINSPOTTER CONTROL CHASSIS (220V 50/60Hz)
3	809-849-125	HEX HD. CAP SCREW, HEX 1/4 - 20 X 3/4 LG.
4	090-004-706	CHASSIS MOUNTING BRACKET
5	835-549-002	HEX JAM NUT, 1/4 - 20
6	090-004-514	CHASSIS MOUNTING BRACKET SUPPORT
7	948-753-102	WASHER, FLAT, 9/32 X 5/8 X 1/16
8	844-049-002	NUT, STOVER LOCK, 1/4 - 20
9	809-857-125	SCREW, HEX, 5/16 - 18 X 3/4
10	948-761-112	WASHER, FLAT, 11/32 X 11/16 X 1/16

ITEM	PART NUMBER	DESCRIPTION
11	844-057-002	NUT, STOVER LOCK, 5/16 - 18
12	090-004-513	TIE PLATE

ALSO AVAILABLE

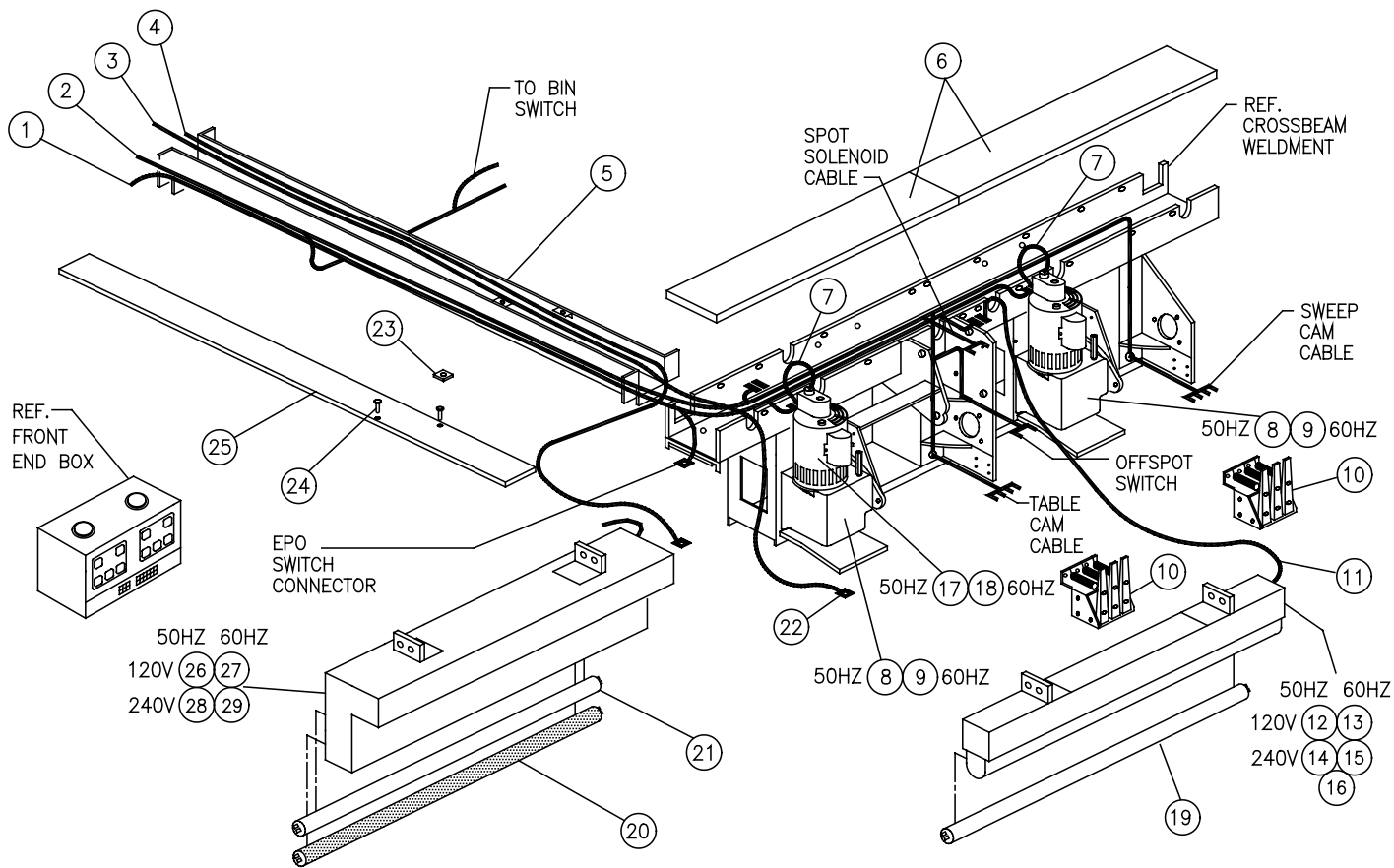
620-905-700	82/90 XL CHASSIS REBUILT 110v
620-905-769	82/90 XL CHASSIS REBUILT 220v CE COMPLIANT
620-908-800	8800 CHASSIS REBUILT 110v
620-908-869	8800 CHASSIS REBUILT 220v CE COMPLIANT



ITEM	PART NUMBER	DESCRIPTION
1	090-005-759	ODD LOGIC CABLE
2	090-005-739	PINDICATION CABLE - OBS
3	090-005-763	ODD POWER CABLE
4	090-005-733	FRONT END CABLE
5	070-007-748	FRONT WIREWAY
6	070-007-747	WIREWAY COVER
7	724-511-074	U-NUT, 10 - 32
8	812-840-082	SCREW, ROUND HEAD, 10 - 32 X 1/2
9	090-005-827	FRONT END CONTROL BOX (UNIVERSAL)
10	090-008-034	DUAL PIT LIGHT ASSEMBLY 36", 120V, 50HZ
11	090-008-017	DUAL PIT LIGHT ASSEMBLY 36", 120V, 60HZ
12	090-008-033	DUAL PIT LIGHT ASSEMBLY 36", 240V, 50HZ
13	090-008-032	DUAL PIT LIGHT ASSEMBLY 36", 240V, 60HZ
*14	090-003-703	PIT LIGHT CABLE (only used on items 28 - 32)
15	070-006-420	TBL. CAM SW LEV ASY.

ITEM	PART NUMBER	DESCRIPTION
16	090-005-734	STRIKE/FOUL CABLE
17	090-004-060	FRONT END MOTOR, 50HZ
18	090-004-061	FRONT END MOTOR, 60HZ
19	090-005-876	MOTOR CABLE
20	090-005-053	CROSSBEAM COVER
21	090-004-499	FRONT END GEARBOX, 50HZ
22	090-004-500	FRONT END GEARBOX, 60HZ
23	090-003-802	PIT LIGHT ASSEMBLY, 120V, 50 HZ
24	090-003-800	PIT LIGHT ASSEMBLY, 120V, 60 HZ
25	090-003-801	PIT LIGHT ASSEMBLY, 240V, 50 HZ
26	090-003-803	PIT LIGHT ASSEMBLY, 240V, 60 HZ
27	090-003-805	PIT LIGHT, NO BALLAST, JAPAN
28	751-001-254	LAMP, DAYLIGHT, F30T 12/DIRS
29	751-001-466	LAMP, DAY LIGHT T8 36", 30W
30	751-001-460	LAMP, BLACK LIGHT T8 36", 30W

*Note Items 23 - 27 (single pit light assemblies) come with Item 14 (pit light cable).



ITEM	PART NUMBER	DESCRIPTION
1	090-005-762	EVEN POWER CABLE
2	090-005-758	EVEN LOGIC CABLE
3	090-005-739	PINDICATION CABLE - OBS
4	090-005-733	FRONT END CABLE
5	070-007-748	FRONT WIREWAY
6	090-005-053	CROSSBEAM COVER
7	090-005-876	MOTOR CABLE
8	090-004-499	FRONT END GEARBOX, 50HZ
9	090-004-500	FRONT END GEARBOX, 60HZ
10	070-006-420	TBL. CAM SW LEVER ASY.
*11	090-003-703	PIT LIGHT CABLE (only used on items 13-17)
12	090-003-802	PIT LIGHT ASSEMBLY, 120V, 50 HZ
13	090-003-800	PIT LIGHT ASSEMBLY, 120V, 60 HZ
14	090-003-801	PIT LIGHT ASSEMBLY, 240V, 50 HZ
15	090-003-803	PIT LIGHT ASSEMBLY, 240V, 60 HZ

ITEM	PART NUMBER	DESCRIPTION
16	090-003-805	PIT LIGHT, NO BALLAST, JAPAN
17	090-004-060	FRONT END MOTOR, 50HZ
18	090-004-061	FRONT END MOTOR, 60HZ
19	751-001-254	LAMP, DAYLIGHT F30T 12/DIRS
20	751-001-460	LAMP, BLACK LIGHT T8 36", 30W
21	751-001-466	LAMP, DAY LIGHT T8 36", 30W
22	090-005-734	STRIKE/FOUL CABLE
23	724-511-074	U-NUT, 10 - 32
24	812-840-082	SCREW, ROUND HEAD, 10 - 32 X 1/2
25	070-007-747	WIREWAY COVER
26	090-008-034	DUAL PIT LIGHT ASSEMBLY 36", 120V, 50HZ
27	090-008-017	DUAL PIT LIGHT ASSEMBLY 36", 120V, 60HZ
28	090-008-033	DUAL PIT LIGHT ASSEMBLY 36", 240V, 50HZ
29	090-008-032	DUAL PIT LIGHT ASSEMBLY 36", 240V, 60HZ

*Note *Items 12 - 16 (single pit light assemblies) come with Item 11 (pit light cable).*
Items 26 -29 (dual pit light assemblies) come with a different cable that is attached but not sold separately.



CROSS REFERENCE LIST



8 REF.

PART #	DESCRIPTION	CROSS REFERENCE PART #	CROSS REFERENCE DESCRIPTION
000020203	HANDLE-CONN.CABLE-PM	070007758	M4CBL ELCO TO MP/C23 (4361)
000021043	BRKT WELD-LH	000027645	BRKT.SUPT.ASY LH
000021044	BRKT WELD-RH	000027646	BRKT.SUPT.ASY RH
000021416	IDLER ROLLER	000021417	IDLER ROLLER ASY
000021665	LEVER-SWITCH	000021713	LEVER ASY-SWITCH
000021743	BRG ASY-SELF ALIGNG	070006765	SHAFT PLATE
000021879	ROD END	000021880	ROD END ASY
000022063	SHEAVE-REDUCTION	000024599	ADJ.SPEED SHEAVE-RUDDER ARM
000022069	BKT PIT SPT B/D SIDE	070001450	PIT SUPT BRKT-BDS
000022071	PULLEY IDLER	000021408	IDLER PULLEY ASM
000022095	TUBE RUD ADJ	000021428	TUBE ADJUSTING ASSY
000022221	GUARD	000022219	PIN ELEV GD ASY
000022248	BRKT WELD-LH	000022249	BRKT ASY-LH
000022826	LEVER-SHOCK MECH.	000023621	LEVER CUSH ASY-SWITCH
000023160	END FITTING RH (AM-8-B2-8)	090005260	END FITTING RH
000023161	END FITTING LH (AML-8-B2-8)	090005261	END FITTING - LH
000023279	BUMPER-URETHANE	000023216	BUMPER
000023594	PIT SIGNAL SWITCH ASM	000023521	SWITCH-PIT SIGNAL
000023857	SPACER	948767132	WSHR13/32X13/16X1/1
000024509	BRKT-PIN EJECTR ASY	000024510	BRKT ASY-LH
000024512	SPRNG LH PIN EJECTOR	000022288	SPRING-LH
000024581	*LINK CASTING **NOT FOR RESALE	000024597	&LINK ASY
000024604	BELT-BALL LIFT PBL	090002450	BALL LIFT BELT
000024617	NUT CARRIAGE ASY	000024618	NUT-CARRIAGE ASY
000024621	FILLER-FRONT	000024678	FILLER ASY-FRONT
000024653	LINK	000024651	LINK ASY
000024743	RUDDER ARM SUPPORT	070011319	SUPPORT-RUDDER ARM
000024744	NUT PLATE BALL RTRN	000024745	NUT PLATE ASM
000024893	M SHAFT DRIVE ASY 82/30	000024893	SHAFT DRIVE ASY-LH 82/70
000025076	PIN WIRE TERM	760011197	TERM-PIN.062 DIA LP
000025077	SOC WIRE TERM	760019201	TERM SKT .062 DIA LP
000025120	WASHER	945091242	WSHR-1X1-1/2
000025124	RELAY	610704141	KIT-RELAY+BRKT+INSTR
000025135	CIRC BREAKTEX 785475	070005666	CIRC BREAKTEX
000025591	RECEPTACLE PLATE	000025590	RECEPTACLE HOUSING
000026461	BRG UNIBALL .25X.687	090002019	BALL - DISTRIBUTOR DRIVE
000026753	BELT-CARPET IN A BOX	090006124	CARPET BELT PUMPKIN/TAN
000026754	&BELT-CARPET-PVC	000026756	SPLIT FINGER CARPET BLT
000026755	GREEN 2 PLY CRPT BLT	000026756	SPLIT FINGER CARPET BLT
000026859	STOP	000026852	GEAR ASY
000027380	PLOW RH-FOR LH MACH	000027368	PLOW & MAT ASY L
000027381	PLOW LH-FOR RH MACH	000027372	PLOW & MAT ASY RH
000027382	LINK DISTRIBUTOR	000027370	LINK ASY
000027705	BRKT R H D1ST	000027707	BRKT ASY-RH
000027706	BRKT L H D1ST	000027708	BRKT ASY-LH
000028238	FRICTION PLATE CAM - URETHANE	000028242	FRICTION PLATE CAM - BRASS
000028445	WIRE TERMINAL SOCKET 66104-7	760019202	TERM SKT.062 DIA LP
000028448	WIRE TERMINAL PIN	760011196	TERM PIN-.062 DIA LP
000028519	RIVET CUSHION ASSY	000028529	URETHANE-"PLUS" RIVET
000028919	LEAF & WIRE ASY RED	000028943	LEAF & WIRE ASY RED
000028940	LAMP HOLDER	093003634	LAMP HLDR WIRE AS RD
000028941	LAMP HOLDER	093003633	LAMP HLDR WIRE AS WH
000029299	TRANSISTOR	762502034	TRNSTR-MPS 2222
000029602	BRKT WELD-RH	000029672	BRKT BRG ASY RH
000029625	HANGER ARM	000029659	HANGER ARM AS
000029627	BRKT-PIT SUPPORT	070001451	PIT SUPT BRKT-OBDS
000029630	DRIVE LINK	000029671	&LINK-DR.RUDDER ASY
000029640	PANEL-KICKBACK ASY	030008660	PANEL-KICKBACK
000029671	LINK-DR.RUDDER ASY	000028540	SPRNGLOADED DRIVE LNKASY
01005	#6 EXT STAR LOCKWASHER- PLTD.	957000002	#6 EXT STAR LOCKWASHER- PLTD.
01011	8-32 X 1/2 MACHINE SCREW	812833082	8-32 X 1/2 MACHINE SCREW
01016	#8 EXT TOOTH LOCKWASHER- PLTD	951632060	#8 EXT TOOTH LOCKWASHER- PLTD
01018	10-32X3/8 PHILLIPS M/S01019	10-32X3/8	PHILLIPS M/S
01031	10-32 NYLON INSERT LOCKNUT PLT	838740002	10-32 NYLON INSERT LOCKNUT PLT
01032	NUT 10-32 HEX STEEL PLATED	835540002	NUT 10-32 HEX STEEL PLATED
01033	#10 EXT TOOTH LOCKWASHER. PLTD	957100002	#10 EXT TOOTH LOCKWASHER. PLTD
01045	1/4-20 X 3/4 CARRIAGE BOLT	801149897	1/4-20 X 3/4 CARRIAGE BOLT

PART #	DESCRIPTION	CROSS REFERENCE PART #	CROSS REFERENCE DESCRIPTION
01052	1/4-20 STEEL HEX NUT, PLTD	834549002	1/4-20 STEEL HEX NUT, PLTD
01054	1/4 IN SPLIT LOCKWSHR MED PLTD	951148002	1/4 IN SPLIT LOCKWSHR MED PLTD
01055	#8 5/16 TAP SCREW	01058	#8 5/16 TAP SCREW
01068	3/8 X 16 HEX NUT - THIN	835565002	3/8 X 16 HEX NUT - THIN
01074	1/2 USS WROUGHT WASHER TYPE A	948975172	1/2 USS WROUGHT WASHER TYPE A
01186	6-32 X3/8 SLTD PAN HEAD SCREW	813327062	6-32 X3/8 SLTD PAN HEAD SCREW
01216	WASHER #6 SAE FLAT WASHER	948631062	WASHER #6 SAE FLAT WASHER
01233	COTPIN 3/16X1	SA0299	COTPIN 3/16X1
01260	3/8-3/16X3/8 SOCKET SET,CUP PT	807265060	3/8-3/16X3/8 SOCKET SET,CUP PT
01266	5/16-18 STOVER LOCKNUT	844057002	5/16-18 STOVER LOCKNUT
01310	1/4-20X1-1/4 HEX SCKT W/PELLET	810349200	1/4-20X1-1/4 HEX SCKT W/PELLET
01340	1/4-20 JAM NUT	835549002	1/4-20 JAM NUT
01413	3/8-16 HEX STEEL MACHINE NUT	831565002	3/8-16 HEX STEEL MACHINE NUT
01431	5/16 WROUGHT WASHER	948761112	5/16 WROUGHT WASHER
01433	1/2 LOCK WASHER	951172002	1/2 LOCK WASHER
01459	5/8-18 UNF HEX THIN HUT- PLTD	835582002	5/8-18 UNF HEX THIN HUT- PLTD
01471	3/8-24 HX STL THIN NUT	835566002	3/8-24 HX STL THIN NUT
01547	#10 X 1/2 SLTD HX WSH MTL SCRW	821438082	#10 X 1/2 SLTD HX WSH MTL SCRW
01561	10-24 NYLON LOCK NUT	838939002	10-24 NYLON LOCK NUT
01593	RETAIN RING E-RING EXTER SHAFT	919010400	RETAIN RING E-RING EXTER SHAFT
02004X12	1/4" HEAT SHRINK TUBE	02004	1/4" HEAT SHRINK TUBE
02004X36	1/4" HEAT SHRINK TUBE	02004	1/4" HEAT SHRINK TUBE
02011	FUSE HOLDER	80055	FUSE HOLDER
02018	AC CONTRACTOR	02080	AC CONTRACTOR
02024	GEAR MOTOR	A0172	GEAR MOTOR
02030	MICRO SWITCH	02293	MICRO SWITCH
02031	SWITCH ROLLER	02293	SWITCH ROLLER
02032	VALVE,12VDC	SA2010	VALVE,12VDC
02033	POINTER-BLACK, UL, GP	A5064	POINTER-BLACK, UL, GP
02046X108	14/3 POWER CORD	02046	14/3 POWER CORD
02079X2	1-1/2 ID HT SHK TUBE	02079	1-1/2 ID HT SHK TUBE
02080-1	AC CONTACTOR	02080	AC CONTACTOR
02128	SWITCH	02071	SWITCH
02130	GEAR MOTOR	02525	GEAR MOTOR
02157	SCR	02223	SCR
02199	VLS 4-WIRE REPLACEMENT KIT	RP193	VLS 4-WIRE REPLACEMENT KIT
02208X12	1/2" ID HEAT SHRINK TUBE	02208	1/2" ID HEAT SHRINK TUBE
02238	12/3 CORD	SA1107	12/3 CORD
022444010	MEASURING PADS - 1 DOZEN	022444110	MEASURING PADS
02259	SOLENOID 220V 50/60HZ	294002274	SOLENOID 240V 50HZ LH 3000 SER
02261	SOLENOID 220V 50/60HZ	294002275	SOLENOID 240V 50HZ RG 3000 SER
02287	MOTOR GEAR 220	A0376	MOTOR GEAR 220
02291	OIL SOLENOID 220 VOLT	294002276	SOLENOID 240V 50HZ RH 2000 SER
02307X53	WIRE-SHIELDED 2 COND-22AWG	02307	WIRE-SHIELDED 2 COND-22AWG
02312	MOTOR	80074	MOTOR
02353	DIG POS INDCTR	A0724	DIG POS INDCTR
02360	VAC PUMP,110V	02586	VAC PUMP,110V
02482	LED HARDWARE	02334	LED HARDWARE
02483	LED DECODER	02334	LED DECODER
02484	PREWRED 02-575 LK START SWITCH	RP91	PREWRED 02-575 LK START SWITCH
02505X22	RED WIRE 20GA MTW/AWM	02505	RED WIRE 20GA MTW/AWM
02505X5	RED WIRE 20GA MTW/AWM	02505	RED WIRE 20GA MTW/AWM
02505X6	RED WIRE 20GA MTW/AWM	02505	RED WIRE 20GA MTW/AWM
02563X1	1/8" HEAT SHRINK TUBING	02563	1/8" HEAT SHRINK TUBING
027001323	MTR-BLOWER	000022141	BLOWER MOTOR ASY
02742X12	3/4 ID HEAT SHRINK TUBE	02742	3/4 ID HEAT SHRINK TUBE
02768	COMPSON 110V	80119	COMPSON 110V
02769	COMPRSOR 220V	80120	COMPRSOR 220V
02772	SPEDD CONTRLER	02771	SPEDD CONTRLER
02775	DIGITAL INDICATOR, HRZ, SHEILD	02352	DIGITAL POSITION IND. MOD. 100
02776	DIGITAL INDICATOR, VRT, SHEILD	A0724	VERT SENSOR BASE MODIF., 220V
02780	CRIMP TERM MAL	02202	CRIMP TERM MAL
02781	CRIP TERM,FEM	02203	CRIP TERM,FEM
02785	KIP VALVE #2X1219V-12VDC	294002165	KIP VALVE PLUNGER ASSEMBLY
030001112	GRIPPER ASY	030008370	GRIPPER ASY
030001330	LINK TABLE	030001331	LINK ASY
030004700	SOCKET	030008346	WIRE ASY-RESPOT *3

PART #	DESCRIPTION	CROSS REFERENCE PART #	CROSS REFERENCE DESCRIPTION
030004702	SWITCH	000026042	SWITCH-MICRO
030004732	PLUG	030008346	WIRE ASY-RESPOT *3
030005453S	VERT LGT FLAT	030005453	BELT-BALL ELEVATOR
030005839	INFRARED PIN COUNTER	030005840	8230 INFRARED PIN CNTR12V
030005886	RELAY 24V DC	030005862	RELAY-G.A.D.C.
030005924	CPCTR-460 522MF 110V	743000020	CPTR-460-552MFD110AC
030006456	HUB CARPET ROLLER	030006457	HUB-SHEAVECARPT ROLL
030006963	APRON WELD RH	000027099	APRON & MAT ASY RH
030006964	APRON WELD LH	000027100	APRON & MAT ASY LH
030007019	ROD END	000026446	ROD END
030007407	BRG BL UPR SHFT ELEV	000024683	&BRG-BALL ELEVATOR
030007633	82-30 DIST BLT-BLK	030005677	82-30 DIST BLT-NITRILE
030008395	PLOW WLD SML R.H.	030008397	PLOW MAT ASY RH
030008396	PLOW WLD SML LH	030008398	PLOW MAT ASY LH
030008495	KICKBACK PANEL	030006495	PANEL
030008698	ORIENTOR WELD	030008699	ORIENTOR ASY DIST
030008792	BELT-V CARPET DRIVE	030008671	BELT-V CRPT+BL EL134
030008831	SHEAVE-DRIVE	000022172	SHEAVE-BACK END DRIVE
030016524	240V 50HZ-82-30 MP CHAS	520316524	MP CHASSIS 240V 50HZ 82/30 REB
030016526	120V-60HZ-MP CHASSIS	520316526	REBUILT 82/30 MP
03021	GEAR 5/16 BORE	A0564	GEAR 5/16 BORE
03023	GEAR	SA1060	GEAR
03027	BRONZE GEAR	B0208	BRONZE GEAR
03034	PULLEY 1/4BORE	A0426	PULLEY 1/4BORE
03045	U JOINT	A0597	U JOINT
03066	PULLEY 1/2" BORE	A0425	PULLEY 1/2" BORE
03405	BEAR'G SHAFT	SC5	BEAR'G SHAFT
04004-1	CASTER	04004	CASTER
04022	HOOD HINGE	A0197	HOOD HINGE
04025	SLEEVE CAP	294004025	SLEEVE CAP
04036X120	PLASTIC TUBING	04036	PLASTIC TUBING
04036X32	PLASTIC TUBING	04036	PLASTIC TUBING
04036X48	PLASTIC TUBING	04036	PLASTIC TUBING
04036X9	PLASTIC TUBING	04036	PLASTIC TUBING
04054	RED EDGE	04596	RED EDGE
04069X8	TRIM LOC -1/8"	04069	TRIM LOC -1/8"
04073	HOOD LATCH	A0458	HOOD LATCH
04074X46	AIRTEX FOAM TAPE	04074	AIRTEX FOAM TAPE
04112	VOLUME VALVE	RP125	VOLUME VALVE
04113	STEEL CLAMP	04121	STEEL CLAMP
04115X6	3/8" TYGOTHANE	04115	3/8" TYGOTHANE
04116X32	2" SUCTION HOSE	04116	2" SUCTION HOSE
04116X36	2" SUCTION HOSE	04116	2" SUCTION HOSE
04122	SEE RP-156	RP156	SEE RP-156
04125	CK/VALVE	RP156	CK/VALVE
04128X10	TYGOTHANE TUBE - 1/4 ID	04128	TYGOTHANE TUBE - 1/4 ID
04128X12	TYGOTHANE TUBE - 1/4 ID	04128	TYGOTHANE TUBE - 1/4 ID
04128X13	TYGOTHANE TUBE - 1/4 ID	04128	TYGOTHANE TUBE - 1/4 ID
04128X14	TYGOTHANE TUBE - 1/4 ID	04128	TYGOTHANE TUBE - 1/4 ID
04128X16	TYGOTHANE TUBE - 1/4 ID	04128	TYGOTHANE TUBE - 1/4 ID
04128X29	TYGOTHANE TUBE - 1/4 ID	04128	TYGOTHANE TUBE - 1/4 ID
04128X52	TYGOTHANE TUBE - 1/4 ID	04128	TYGOTHANE TUBE - 1/4 ID
04128X7	TYGOTHANE TUBE - 1/4 ID	04128	TYGOTHANE TUBE - 1/4 ID
04128X8.5	TYGOTHANE TUBE - 1/4 ID	04128	TYGOTHANE TUBE - 1/4 ID
04128X9	TYGOTHANE TUBE - 1/4 ID	04128	TYGOTHANE TUBE - 1/4 ID
04143X12	2" VINYL HOSE	04143	2" VINYL HOSE
04143X15	2" VINYL HOSE	04143	2" VINYL HOSE
04149	1-1/2 HOSE	A1067	1-1/2 HOSE
04149X21	1 1/2" VINYL HOSE	04149	1 1/2" VINYL HOSE
04149X35	1 1/2" VINYL HOSE	04149	1 1/2" VINYL HOSE
041740097	FLOR MCH 50HZ W/O BRUSH	041740096	20" ROTARY FLOOR MACHINE 220V
04209	SPADE BIT SET	SA0074	SPADE BIT SET
04277	O-RING VACU-J	04352	O-RING VACU-J
04293X120	TUBING, 3/16 ID X 5/16 OD	04293	TUBING, 3/16 ID X 5/16 OD
04293X36	TUBING, 3/16 ID X 5/16 OD	04293	TUBING, 3/16 ID X 5/16 OD
04293X48	TUBING, 1/8 ID X 5/16 OD	04293	TUBING, 1/8 ID X 5/16 OD
04298	COMPRSSR 110V	80093	COMPRSSR 110V

PART #	DESCRIPTION	CROSS REFERENCE PART #	CROSS REFERENCE DESCRIPTION
043023071	SCORE PAD-LEAGUE SEC	290001145	LEAGUE RECORD FORM-1600 PER BX
04308	GAUGE 0-10SPI	04449	GAUGE 0-10SPI
04312	CYLINDER	04634	CYLINDER
04323	SLIDE LATCH, FLUSH	705062512	LATCH
04329X12	TUBING, 1/8 ID X 1/4 OD	04329	TUBING, 1/8 ID X 1/4 OD
04329X44	TUBING, 1/8 ID X 1/4 OD	04329	TUBING, 1/8 ID X 1/4 OD
04354	1/4 NPT,COUP	04223	1/4 NPT,COUP
04367	ROTARY 110V	041007400	ROTARY 110V
04368	ROTARY 220V	041740096	ROTARY 220V
04394	BALL CHECK VA	SA0268	BALL CHECK VA
04400	RUBBER GROMMET 3/8" ID	04027	RUBBER GROMMET 3/8" ID
04474	CLUTCH SPRING	04268	CLUTCH SPRING
04485	LOCK ONLY	LKA16	LOCK ONLY
04596	DUST CL(1RL	294008443	DUST CL(1RL
04605X132	TRIM LOCK	04605	TRIM LOCK
04605X2	TRIM LOCK	04605	TRIM LOCK
04605X4	TRIM LOCK	04605	TRIM LOCK
04605X76	TRIM LOCK	04605	TRIM LOCK
04626	CHANL MOP R	041003921	CHANL MOP R
04627	CANEL MOP R	041003911	CANEL MOP R
04649	TFE PIPE THD S	04648	TFE PIPE THD S
047087162	SHOE FRESHENER	047000100	FRESH CARE LIQUID
049004630	RAIL PLASTIC RUNNER 75"ROLL	049006360	RAIL PLASTIC RUNNER (75 FT ROL
049006305	OVERLAP PIN DECK	049006700	ALLIANCE/INTEGRA PIN DECK ASY
049006375	ADJUSTABLE PIN DECK	049006701	ADJUSTABLE PIN DECK
049006386	1/2 X 1/8 HPL PLUG	049009534	1/2 X 1/8 HPL PLUG
049006393	3/4 X 1/8 HPL PLUG	049009535	3/4 X 1/8 HPL PLUGS,BAG/10
049006427	ULTRA TOOL 1/2"	049006449	1/2X1/2X1 ROUTER BIT
049006575	GUTTER END RAMPS BLUE USE 049	049000575	BLUE END RAMP
049007051	GUTTER CLIP SCREW	821540910	CUTTER CLIP SCREWS
049007066-B	79" PLASTIC RAIL W/INSERT & HO	049007092-B	BLUE 8'3" LEFT PLASTIC RAILS
049007066-C	79" PLASTIC RAIL W/INSERT & HO	049007092-C	CLEAR 8'3"LEFT PLASTIC RAIL
049007066-G	79" PLASTIC RAIL W/INSERT & HO	049007092-G	GREY 8'3"LEFT PLASTIC RAIL
049007066-N	79" PLASTIC RAIL W/INSERT & HO	049007092-N	BROWN 8'3"LEFT PLASTIC RAILS
049007067-B	79" PLASTIC RAIL W/INSERT & HO	049007091-B	BLUE 8'3" RIGHT PLASTIC RAILS
049007067-C	79" PLASTIC RAIL W/INSERT & HO	049007091-C	CLEAR 8'3"RIGHT PLASTIC RAIL
049007067-G	79" PLASTIC RAIL W/INSERT & HO	049007091-G	GREY 8'3" RIGHT PLASTIC RAIL
049007067-N	79" PLASTIC RAIL W/INSERT & HO	049007091-N	BROWN 8'3" RIGHT PLASTIC RAILS
049007069	SELF TAPPING SCREW	822340720	SELF TAPPING SCREW-COIL SPRING
049007076	H BRACKET	049007093	H-BRACKET UPGRADE INSTALLATION
049007076-B	10' RAIL PREDRILLED BLUE-USE 0	049007075-B	10' PLASTIC RAIL PREDRILLED
049007076-C	10'RAIL PREDRILLED CLEAR-USE 0	049007075-C	10' PLASTIC RAIL PREDRILLED
049007076-G	10'RAIL PREDRILLED GREY-USE 04	049007075-G	10' PLASTIC RAIL PREDRILLED
049007076-N	10' RAIL PREDRILLED BROWN -USE	049007075-N	10' PLASTIC RAIL PREDRILLED
049008410	36" BLACK PIT LIGHT	751001460	BLACK LIGHT T8 36" 30W
049009517	DOWEL PLUG, GLOW, 1/2" DIA. X	049009536	1/2 X1/8 GLOW HPL PLUGS,BG/100
06004	VISFLO 24.5	294006004	VISFLO 24.5
06012	ECO 2,2.5	294006012	ECO 2,2.5
06020	PINKP 2X2.5	294006020	PINKP 2X2.5
06021	2X2.5 GAPK	294006021	2X2.5 GA PK
06022	388,30 GAL	294006022	388,30 GAL
06025	VISFLO 24,1	294006025	VISFLO 24,1
06026	VISF 36,1GA	294006026	VISF 36,1GA
06033	CH CONT A/B	294006033	CH CONT A/B
06034	1 QT A/B	294006033	1 QT A/B
070001404	PLOW W/LDMNT SMALL RH	070001412	PLOW & MAT ASY SM RH
070001558	TIE ROD ASM (S6257)	090005253	TIE ROD ASSY
070001559	HOOK-HOOK ASY	070001598	HOOK & BUSHING ASY
070001565	LINK	070001605	SPOT LINK ASY-UPPER
070001602	TIE ROD ASY-SPOTTING (S6290)	090005252	TIE ROD ASSY SPOTTING
070001644	LEVER-SWITCH	000021645	LEVER ASY-SWITCH
070001770	LEVER ASY	070001852	LEVER TABLE ARM
070001771	LINK	610704016	LINK ASY
070001825	LINK SOLENOID	610704120	CONV KIT DBL-SGL SOL
070001861	LINK & HUB ASY	070007250	LINK HUB ASSEMBLY
070001864	WASHER SOLENOID	000021442	WASHER-RUBBER
070001889	HOUSING CRANK TBL DR	070002778	HOUSING/CUP ASY

PART #	DESCRIPTION	CROSS REFERENCE PART #	CROSS REFERENCE DESCRIPTION
070001918	LATCH	070001898	LATCH ASSEMBLY
070001970	DOWNSWEEP ASY 40DEG	049006591	DOWNSWEEP ADJ DROP
070001996	LATCH-SPOTTNG ARM	070001997	LATCH ASY-SPT ARM AY
070002033	ROLLER	070002034	&ROLLER ASY-REAR
070002168	PLOW WLDMNT SMALL LH	070002169	PLOW & MAT ASY SM LH
070002171	GROMMET-CURTN ROD	070011286	BUSHING-CURTAIN ROD
070002538	BRKT-CONNECTOR	090002538	TABLE CONNECTOR BRACKET
070002587	LINK-TABLE ASY	070002582	DRIVE LINK ASY-REAR
070002588	LINK-RESPOT ACTUAT.	070002583	LINK ASY-ACTUATING
070002589	FINGER LEVER	070002579	LEVER ASY FINGER
070002592	PIN FINGER	090005629	PIN
070002599	LEVER	070002578	LEVER ASSEMBLY SPOT
070002600	YOKE & SPOTTING CUP ASSY	070002623	&YOKE & BEARING ASSY
070002608	COLLAR SPRING YOKE	090004033	SPRING RETAINER
070002611	LINK	070002612	TIE LINK ASM
070002655	FRAME ASSY	070002686	FRAME ASM 7 CELL
070002656	LEVER	610704026	KIT-#7RESPT LVR ASY
070002666	LEG-REAR	070002665	LEG ASY-REAR
070002679	LEVER RESPOT	070002680	LEVER RESPOT ASY
070002694	YOKE RESPOT	070002629	YOKE RESPOT ASM
070002695	YOKE PLATE	070002644	PLATE YOKE ASY
070002712	LEVER-GP SWITCH	070002758	LEVER & BUSHING ASY
070002724	SHIFTER LINK	070002727	LINK & BEARING ASY
070002725	CAM LINK	070002728	CAM LINK BRG ASY
070002767	LINK - TABLE ASSY	070006669	LINK RESPOT
070002769	LINK-TABLE ASY	070002768	LINK-TABLE ASY
070003115	DR LINK CONN ROD ASM (S6291)	090005254	DR LINK CONN ROD ASY
070003116	TUBE DR LINK CON ROD	090005254	DR LINK CONN ROD ASSY
070003156	LINK-STABILIZE-SWEEP	070003238	LINK ASY-SWP STAB
070003157	LINK DRIVE ASY	070003158	LINK-DRIVE ASY-SWEEP
070003181	LINK-SWEEP	070003184	SUPPORT-LINK ASY-SWP
070003209	BUMPER	070007280	SWEEP LINKASY TELES
070003239	LINK-SWEEP	070003238	LINK ASY-SWP STAB
070003242	LINK ASY SWEEP	090007319	LINK ASY SWEEP
070004036	MTR&REC115/230-50 RH	070006212	MTR&REC 115/230-50 RH
070004037	MTR&REC115/230-50 LH	070006211	MTR&REC 115/230-50 LH
070004042	MTR&REC LH BE 110/60	610704042	MTR&REC LH BE 110/60
070004043	MTR&REC RH BE 110/60	610704043	&MTR&REC RH BE 110/60
070004047	MTR-115/230-50 COMB	070006219	&MTR-115/230-50 COMB
070004052	MTR-115/60 WEST COMB	610704052	MTR115/60 WESTCOMB*Q.A.
070004700	KICKER FOLDOUT 7028 MAN	610007028	MAN-PTS/SERV 70 MP
070005332	RELAY ASY	000026509	RELAY
070005495	CNECTR-FEML UP CHAS	760019201	TERM SKT .062 DIA LP
070005518	HOOK-GUARD ASY	090004463	HOOK GUARD ASY
070005647	PIT LIGHT & CABLE ASY 240V50HZ	090003801	PIT LIGHT 230V 60HZ XL
070006001	ROD-TRIP-DIST.	070011170	TRIP CABLE ASSY
070006008	BELT RUNNER FRNT	070006009	SUPPORT-BELT RUN.ASY
070006010	PULLEY-IDLER CARRAGE	070006011	PULLEY ASY-DIST.
070006023	TUBE WELD	070006021	TUBE ASY-FRONT-DIST.
070006024	TUBE ASY-MIDDLE-DIST	070006022	TUBE ASY-MIDDLE-DIST
070006036	LACING-DIST. BELT	1523	11-175604 10-24 WLD BRACK
070006046	ROD END-DIST.SUPT (AM-6-G-8)	090005256	ROD-END-DISTRIBUTOR SUPPORT
070006053	CASTNG	070006136	CASTING & BEARING AS
070006054	CARRIAGE-REAR-DIST.	070006672	CARRIAGE CSTG
070006056	TRIP ARM LH	070006016	TRIP ARM ASY L H
070006057	TRIP ARM	070006015	TRIP ARM ASY R H
070006083	STOP BLADE-TRIP STOP	070006691	STOP BLADES TRP ARM
070006104	SUPPORT GUIDE RH	070006103	SUPPORT GUIDE RH
070006123	BRG FL CONCENTRIC	070006679	BRG SL.752X.877X1.66
070006124	NUT-DIST.CLUTCH	835582002	NUT-HX-JAM 5/8-18
070006125	WORM-ADJUSTING-DIST	070009890	SIMPL8270*CLUTCHASSY
070006126	FRICTION DISC	070009890	SIMPL8270*CLUTCHASSY
070006128	SPRING ASY-DIST.DR.	070009890	SIMPL8270*CLUTCHASSY
070006130	CLUTCH PLATE	070009890	SIMPL8270*CLUTCHASSY
070006144	ORIENTOR PAN ASY DIST	090003077	ORIENTOR PAN ASY DIST.
070006150	DISTRIBUTOR ASY	610704032	DISTRIBUTOR ASSEMBLY
070006179	SHAFT	000022172	SHEAVE-BACK END DRIVE

PART #	DESCRIPTION	CROSS REFERENCE PART #	CROSS REFERENCE DESCRIPTION
070006292	LINK	070006307	LINK ASY-SHUTTLE DR***Q.A.***
070006293	CNECT ROD ASY SHUTLE (S6452A)	090005263	CONNECT ROD ASSY SHUTTLE
070006357	BRKT CASTING	070006358	BRKT ASY-BIN ASY
070006385	TRACK LH	070006386	TRACK ASSY L H
070006387	TRACK RH	070006388	TRACK ASSY R H
070006391	PINION GEAR CASTED	070006678	GEAR PINION
070006434	SIDEFAME-RH LH MACH	090004128	KICKPLATE WELDMNT RH/LHM
070006445	CSTG-ARM	070006429	ARM CSTG ASY LH & RH
070006456	LEVER-STOP-TABLE DR	070006484	STOP LEVER ASY
070006459	LINK-RESPOT ARM	070006492	LINK ARM-RESPOT
070006479	ARM LINK-RESPOT	070006481	LINK ARM-SPOT
070006663	TRIP STOP ROD ASY	090006668	TRIP STOP ROD AND SUPPORTING C
070006665	CSTG-TRIP SUPT-DIST	070006667	TRIP CASTING
070006668	TRIP SUPORT ASY-REAR	090006668	TRIP STOP ROD & CAST ASSY
070006671	TUBE-MIDDLE-DIST.	070006683	TUBE ASY-MIDDLE-CARAG
070006678	GEAR PINION	610704005	PINION & SLEEVE ASY
070006681	CLUTCH PLATE-INDEX	610704006	KIT-CLUTCH PLATE ASY
070006686	PINION GEAR ASY	610704005	PINION & SLEEVE ASY
070006687	CSTG-CARGE SUPT-DIST	070006688	SUPPORT-CARRIAGE ASY**Q.A.***
070006699	BRG BL.75X1.6530X.68	610905704	STRT BOR BRNG & SPCR KIT
070006727	SOLENOID-UNIVERSAL	090005723	SOLENOID-INSULATED
070006746	SHAFT-LOWER	610900709	STRT SHFT&SPCR KIT LOWR
070006747	SHAFT UPPER	610900711	STRAIGHT SHFT&SPACER KIT UPPER
070006749	CLUTCH RACE	090003401	CLUTCH RACE-WITH SLOT
070006761	CUSHN CVR-POLYURTHN	090005230	CUSHION COVER REINFORCED NOTE
070006776	CUSHION COVER-REINFORCED	090005230	CUSHION COVER REINFORCED NOTE
070007115	PLUG ASY	755010303	RECPTCL-3WIRE TWSTLK
070007137	ROD LINK ASY (S6445)	090005262	ROD LINK ASSY
070007261	FINGER ASY-RESPOT	090004123	RESPOT FINGER ASSEMBLY
070007312	TRANSISITOR 2N5449	762502034	TRNSTR-MPS 2222
070007364	SUPT BRKT ASY RH	070007360	BRKT-SUPPORT WELD
070007372	BRKT-PIT SUPT-RH RH	070001450	PIT SUPT BRKT-BDS
070007373	BRKT-PIT SUPT-LH RH	070001451	PIT SUPT BRKT-OBDS
070007374	BRKT-PIT SUPT-LH LH	070001450	PIT SUPT BRKT-BDS
070007375	BRKT-PIT SUPT-RH LH	070001451	PIT SUPT BRKT-OBDS
070007619	ASY-YOKE RESPOT	070002647	YOKE RESPOT ASY
070007772	BRACE-YOKE REPAIR	610704011	YOKE REPAIR KIT
070007829	MTR-COMBO 120/60	070007829	MTR-COMBO 120/60
070008134	LINK ASY	070008135	LINK ASY
070008327	BRKT-BALL IDLING	070007769	BRACKET WELDMNT
070008327	BRKT-BALL IDLING	610704014	KIT-BALL IDLING BRKT
070009800	M/P CHASSIS 110V-50/60 HZ	070003900	MP+ CHASSIS 110V/60 HZ
070009801	BRKT PC BRD MP CHASS	620709802	CHAS-MP 60HZ LESS-BDS-RB
070009830	M/P CHASSIS 220-V 50/60HZ	070003901	MP+ CHASSIS 220V/50 HZ
070009846	LAMP MODIFD-120/60	000021652	PIT LIGHT ASY 120/60
070009850	PC BD MP CHAS	070009860	82-70 SINGLE CHIP PCB
070009851	PC BD-MP MK5	070009860	PC BD MP CHAS
070009858	LAMP ASY-PTLTE120/60	000021652	PIT LIGHT ASY 120/60
070009868	SLOTD TRIP ROD/CAST ASY	090006668	TRIP STOP ROD & CAST ASSY
070009901	MP II CHASSIS WITH PINDICATION	630709802	MP CHASS LESS PC. USED
070010239	BRKT SOL CONV	610704120	CONV KIT DBL-SGL SOL
070010240	ROD SNGL SOL CONV	610704120	CONV KIT DBL-SGL SOL
070011047	YOKE ASY LOWER	000024659	YOKE LOWER
070011049	ROD ASY (S6450)	090005259	ROD ASSY
070011120	LIGHT BALL SENSOR ASSEMBLY	610700122	LIGHT BALL SENSOR
070011201	KICKBACK ASY-LH LH	090004129	KICKBACK LH/LH
070011202	KICKBACK ASY-RH RH	090004126	KICKBACK RH/RH
070011227	CRANK ASY	070011037	CRANK ASSEMBLY
070011331	WIRE ASY-SWEEP REVRS	070011330	KIT-SWP REV MPU CHAS
070011333	JUMPER ASY	070011330	KIT-SWP REV MPU CHAS
070011351	SPACER-LWR YOKE ASY	945091242	WSHR-1X1-1/2
070011377	CRANK ADJ PLATE	070011225	WELD-CRANK ADJ PLATE
070011404	RUDDER CAM RH	070011406	RUDDER CAM ASY RH
070011405	RUDDER CAM LH	070011407	RUDDER CAM ASY LH
070011435T	URETHANE KICKER	070011435	KICKER ROLLER (ORANGE ROUND)
070011528	ARM ASY WELDT RH	070011527	ARM ASY RH
070011531	ARM ASY WELDT LH	070011530	ARM ASY LH

PART #	DESCRIPTION	CROSS REFERENCE PART #	CROSS REFERENCE DESCRIPTION
070011633	DECAL-WARNING	070005614	DECAL-WARNING
070011752	CSTG-OILER BODY	000029201	OILER BODY
070011757	PRINTED CIRCUIT BOARD	070011758	PC BD-RELAY ASY
070C02624	ARM CASTING	070002624	ARM ACT YOKE ASM
070F02624	FINISHING CST	070002624	ARM ACT YOKE ASM
090002030	DISTRIBUTOR DRIVE HOUSING	090001130	DISTRIBUTOR DRIVE HSG
090002035	DISTRIBUTOR DRIVE SHAFT ASSY L	090006103	SHFT ASSY-DIST DRIVE L.H.
090002040	DIST DR SHFT ASY RH WIDE	090006102	SHFT ASSY-DIST DRIVE R.H.
090003333	LEVER	090003377	SENSOR TARGET
090003411	BALL DOOR WELDMENT LH	070011005	DOOR WELD LH
090003412	BALL DOOR WELDMENT RH	070011006	DOOR WELD RH
090003501	GEAR MTR ASYBELH50HZ	090003528	50HZ BE RH MOTOR
090003504	GEAR MTR ASYBERH60HZ	090003530	60 HZ RH BE MOTOR
090003506	GEAR MTR ASY BERH50HZ	090003529	50HZ LH BE MOTOR
090003510	GEARMOTOR-COMPLETE 50HZ COMBO	090003526	50HZ MTR/GEAR BOX ASY SM. PLUG
090003511	GEARMOTOR-COMPLETE 60HZ COMBO	090003527	60HZ MTR/GEAR BOX ASY SM. PLUG
090003512	GEARMOTOR-COMPLETE 50HZ RH BE	090003528	50HZ BE RH MOTOR
090003513	GEARMOTOR-COMPLETE 50HZ LH BE	090003529	50HZ LH BE MOTOR
090003514	GEARMOTOR-COMPLETE 60HZ RH BE	090003530	60 HZ RH BE MOTOR
090003606	TABLE DRIVE ASSY	070001840	&TABLE DRIVE ASY
090003675	MANAGERS CONTROL BOX 82-90	610903697	MANAGERS CONTROLL INSTALLATION
090003722	FRONT END ELECTRICAL BOX	090005827	UNIVERSAL FRONT-END BOX
090003723	PHOTOEYE TRIGGER ASSY	090003769	BALL DETECTOR CHASS DUAL SPEED
090003765	B/E MOTOR 50HZ	090007310	BE MOTOR 50HZ.
090003767	F.E. MOTOR - 60HZ	090004547	MOTOR F.E. 60 HZ
090003768	F.E. MOTOR - 50HZ	090004548	MOTOR FE 50HZ.
090004004	RH INNER SIDE BRACE	090005647	RH INNER SIDE BRACE
090004008	TABLE TORQUE TUBE	090005645	TORQUE TUBE
090004009	SWEEP ROCKER ARM	090004010	SWEEP ROCKER ARM WELD
090004101	DISTRIBUTOR MOUNT WELDMENT	090003112	DISTRIBUTOR MOUNT
090004119	FINGER - RESPOT	090004123	RESPOT FINGER ASSEMBLY
090004170	BOUNCE BOARD ASSY RH	090005275	BOUNCE BD ASSY R.H.
090004171	BOUNCE BOARD ASSY LH	090005276	BOUNCE BD ASSY L.H.
090004433	TAPERED BULLIT	070011018	BALL GUIDE
090004503	MOTOR-FRONT END 60 HZ	090003532	FRONT END MOTOR 60HZ
090004505	MOTOR-BACK END 50 HZ	090003765	MOTOR BE 50HZ
090004524	C90 MOTOR RECEPTACLE ASSY	755050773	RECPTCL 7-PIN W/WIRES
090004547	MOTOR FE 60HZ.	090003847	MOTOR FE 60HZ W/BRAKE
090004548	MOTOR FE 50HZ.	090003848	MOTOR FE 50 HZ WITH BRAKE
090005055	SLEEVE	070006676	SLEEVE-DIST.DRIVE
090005107	PIN ELEVATOR ROLLER	090007327	PIN ELEVATOR ROLLER
090005116	CLEAT-PIN HOLDER RH	000025331	*BRKT-PIN HOLD RH
090005117	CLEAT-PIN HOLDER LH	000025330	*BRKT-PIN HOLD LH
090005119	SHOULDER BOLTS 3/4 X 1 1/2 SOC	880781240	SHOULDER BOLT 3/4 X 1 1/2
090005170	BOUNCE BOARD RF	090005270	BOUNCE BOARD RH FRNT PHEN
090005172	BOUNCE BOARD RR	090005272	BOUNCE BOARD RHREAR PHEN
090005173	BOUNCE BOARD LR	090005273	BOUNCE BOARD LHREAR PHEN
090005274	SUPPORT CHANNEL	000029898	BAR-REINFORCING 40.5
090005551	SPRING COUNTER	000022782	SPRING COUNTER BAL
090005644	CB SPRING	090005662	CB SPRING
090005765	FRONT END BOX S/F	090005827	UNIVERSAL FRONT-END BOX
090005775	FRONT END BOX PINDICATION	090005827	UNIVERSAL FRONT-END BOX
090005776	TRANSFORMER ASSY	232009116	TRANSFORMER 50/60 CYCLE
090005800	PIT SIGNAL POWER BOX 61	0905800	PIT SIGNAL POWER KIT
090007023	TUBE HBR WELDMENT	090007426	RECT. TUBE WELDMENT
090007031	TUBE WELDMENT CUSHION LH	070002252	TUBE WELD CUSHION LH
090007032	TUBE WELDMENT CUSHION RH	070002050	TUBE WELD RH
090007092	FRAME KICKBACK SUPPORT	090007458	KICKBACK SUPPORT FRAME
090007144	BEARING D-BORE 9 BALL	070011797	BRG BALL "D" BORE
090007197	DOOR RING METAL RH	070011642	URETHANE BALL DOOR - RH
090007201	DOOR RING METAL LH	070011641	URETHANE BALL DOOR - LH
090007261	LINKAGE DAMPENER	090007334	HBR DAMPENER
090007274	ROD LOWER WELDMENT	090007461	ROD LOWER
090008825	CONTROL BOX ASY (4992)	090008925	PBS/HBR BOX
090008875	CLUTCH ASY (5177)	090008870	CLUTCH ASSEMBLY KIT
11001182-001	1/4-20X3/4 HEX	01046	1/4-20X3/4 HEX
11001193-001	1/4-20X2-1/4	01181	1/4-20X2-1/4

PART #	DESCRIPTION	CROSS REFERENCE PART #	CROSS REFERENCE DESCRIPTION
11006118-001	BUTN HEAD SCKT	01464	BUTN HEAD SCKT
11010907-001	HEX HD TAP SC	01404	HEX HD TAP SC
11011346-001	HEX HD BOLT	01553	HEX HD BOLT
11012391-001	1/4-20X1-3/4	01254	1/4-20X1-3/4
11013020-001	SLTD.MACH SCR	01108	SLTD.MACH SCR
11013092-001	MCH SCREW	01113	MCH SCREW
11013096-001	PAN HD SCR	01019	PAN HD SCR
11013098-001	SLT.MACH. SCR	01022	SLT.MACH. SCR
11027038-001	WELD STUD 01542	WELD	STUD
11107010-001	RD HD MACH SCR	01401	RD HD MACH SCR
11125007-001	HX NUT 1/4-20	01052	HX NUT 1/4-20
11125214-001	HX NUT	01499	HX NUT
11131503-001	HX FLANGD NT	01519	HX FLANGD NT
11170007-001	LOCKNUT 1/4-20	01051	LOCKNUT 1/4-20
11170011-001	LOCKNUT 3/8-16	01415	LOCKNUT 3/8-16
11170014-001	LOCKNUT 7/16	01159	LOCKNUT 7/16
11195014-001	LOCKWASHER 1/4	01054	LOCKWASHER 1/4
11198003-001	EXT.Tooth LCK	01033	EXT.Tooth LCK
11335055-001	COTTERPIN 1/16	01080	COTTERPIN 1/16
120001022	PLATE-CONT UNIT RDRY	120001023	GASKET BASE WELDMENT
120001082	SPACER- PHOTOC L WIRE	120001083	PHOTOCELL WIRING ASY
14300049-000	WET FILM GA	294004439	WET FILM GA
14400034-000	BRACKET	LK279	BRACKET
14400040-000	PULLLEY	LK81	PULLLEY
14400047-000	SPRING	LK323	SPRING
14400078-010	BAFFLE(REPL LK-A206)	LK234	BAFFLE(REPL LK-A206)
14400164-000	FILTER RETAINE	LK293	FILTER RETAINE
14400207-010	CENTER BAFFLE	LK272	CENTER BAFFLE
145005558	LATCH GUARD	145005507	LOCK & KEY ASY
14860170-010	LK 50-100-150	600153	LK 50-100-150
190001557	FUSE RECEPTACLE	000021728	FUSE RECEPTACLE CIRCLE F 266
190001562	MTR-1/4 HP 220/50	752004009	MTR-1/4HP 110/220HZ
190001570	*PULLLEY	190001572	PULLLEY ASY
190F01570	FINISHING/PULLLEY NOT SELLABLE	190001572	PULLLEY ASY
20085A	BLANK 1/8" 5052-H32 (C-0644)	20085	AL 1/8X48X144 CF 5052-H32 SH
20511	OIL TNK EXTRU	20452	OIL TNK EXTRU
208111218	MTR ASY-MO 4 RETURN	000022068	MTR-PATTERN
208111220	MTR ASY-240V50HZ	752004009	MTR-1/4HP 110/220HZ
208111236	MAGNET	612081018	KIT-LATCH.CNV.BL.RET
208111275	MTR-BLOWER 230/50-60	208111276	MTR-BLWR 240 50/60
209001039	HOLDER-DRNK HLDR ASY	209001040	HOLDER ASY
218002608	VOLTAGE ARRESTOR 120 V ONLY	218003209	UNIVERSAL AC SURGE SUPPRESSOR
218003118	TIME DELAY MODULE	218003157	PC BOARD TIME DELAY MODULE**
218003152	PC BD-TME DELY MDULE	218003157	PC BOARD TIME DELAY MODULE**
218003155	PC BD-MTHR TIME DELY	522183157	PC BD TIME DEL MOD-REB
218003156	TIME DELAY MODULE	218003157	PC BOARD TIME DELAY MODULE**
218003208	VOLTAGE ARRESTOR 230 VOLT	218003209	UNIVERSAL AC SURGE SUPPRESSOR
220001119	PSEN BOARD ASY	522201119	PSEN BOARD-REBUILT
231001033	PCBA - CPU BOARD	522311033	PC BD-CPU-REBUILT
231001033	PCBA - CPU BOARD	522311033	PRINTED CIRCUIT BOARD CPU
231001033	PCBA - CPU BOARD	532311033	PRINTED CIRCUIT BOARD CPU
231001035	PCBA -LANE C LIU BOARD	522311035	PRINTED CIRCUIT BOARD LANE C L
231001037	PCBA -PWR & CNTRL BOARD	522311037	PRINTED CIRCUIT BOARD POWER AN
231001120	LIU - W/O BOARDS	522311120	LIU-W/O BDS-REBUILT
231001154	SCORER INTERFACE UNIT, 115V 60	522311154	SIU BOX-RS 485-REBUILT
231001177	RECAP SHT 4PRT-ADVAN (1,600/BX	290001145	LEAGUE RECORD FORM-1600 PER BX
232001060	PC BD-BOWL R TERM	232006156	PC BD-BWL TRM**NOT FOR RESALE*
232002087	KEYBRD ASY-ACCUSCR	522322087	KEYBRD-ACCUSCR-REBUILT
232005050	PC BD-GDC VIDEOGRPH	522325050	PC BD-GDC VIDEOGRAPH
232005055	PC BD-EMC PCB	522325055	PC BD-EMC-REBUILT
232005085	PC BD-LOGIC M2 CONV	522325085	PC BD-LOGIC M2 CONV
232006035	PC BD. EMC ASII	522326035	PC BD-EMC EXPN-REBUILT
232007020	PC BD-MNTR CNTRL	232007135	MONITOR CONTROL PANEL ASY
232007054	CBL-MNTR/MNTR ASC+OBS	232008194	CBL-MNTR/MNTR
232007090	EPROM MODUL ASC+ ENG	232007265	EPROM MODULE-ENG/PIN
232007101	KEYBOARD, B/T CONSOLE-FLAT	612320812	KIT-KEYBD REPL ASC+
232007102	INSERT-OPER INSTR	232007114	ACCSU PLUS-KYBD INSTR SHEET

PART #	DESCRIPTION	CROSS REFERENCE PART #	CROSS REFERENCE DESCRIPTION
232007150	CWC,A/S+ 115V 50/60HZ	522327150	CWC 115VAC-REBUILT
232007275	ACCUSCORE + 8230 PWR CNTRL/RPO	232007346	RPO KIT 82/30 POWER CNTRL
232007320	MONITOR 27" COLOR,NTSC,ZENITH	522327320	27" COLOR MONITOR
232007350	CWC A/S+ 115V/230V	522327350	CWC A/S 115/230
232007360	ASSEMBLY VIDEO DIST. AMP - 115	232007510	VIDEO DISTRIBUTION AMP
232008056	MONITOR 27" NTSC, WELLS - C'90	232008518	C-90 ACCUSCORE+ 27" WG MONITOR
232008338	ASSEMBLY - GEAR UNIT BRUNSWICK	232008990	ASSY-TIMING GEAR INTERFACE XL
232008446	DUAL 13" MONITOR, WELLS - LOWB	522328446	DUAL 13"MNTRWELLS LOWBOY
232008465	SUB-ASSEMBLY MONITOR BEZEL/COV	232008581	CVR SPECIAL DUAL MODEL 500XL
232008680	PCB BOWLER TERMINAL	286001050	PCB BOWLER TERMINAL
232008705	CAMERA INTERFACE BD. ACCUSCORE	522328705	CAMERA INTERFACE BD ACCUCL
232008742	ASSY MONITOR 27" EYGO	232008855	ACCUSCORE XL 27" W/G MONITOR
232008760	FINAL ASSY CONTROLLER WITH FLO	232009200	CONTROLLER W/FLOPPY DRIVE
232008855	ASSY MONITOR 27" WELLS GARDNER	522328855	MONITOR 27" WELLS GARDNER
232008862	CABLE ASSY AC BOARD CONTROLLER	286001107	"Y" ADAPTOR CABLE
232008918	REPEATER MULTIPOINT - 110 VAC	232009298	REPEATER 8 PORT W/AUI
232008919	REPEATER MULTIPOINT - 230 VAC	232009298	REPEATER 8 PORT W/AUI
232009005	ASSY FAN 120V	232009225	UNIVERSAL FAN ASSEMBLY
232009060	ASSEMBLY SCORER CONTROLLER	232009290	BOSS SCORER CONTROLLER W/O TUN
232009105	ASSY FAN 230V	232009225	UNIVERSAL FAN ASSEMBLY
232009270	BOSS SCORER CONTROLLER W/O TUN	232009290	BOSS SCORER CONTROLLER W/O TUN
232009275-055	SCORER CONTROLLER W/8755 U.S.	232009295-055	SCORER CNTRL W/8755 TUNER CAR
232009297	REPEATER 4 PORT W/AUI	232009298	REPEATER 8 PORT W/AUI
233001000	ARRAY STRIP-ACCUSNC	522331000	ARRAY STRIP-ACCUSNC-REB
234001001	PC BD-84 BL RET	234001002	ASY-PC BD*84"B RET
234001147S	BALL RETURN BELT	234001147	BALL RET BELT 4"
234001148	ASY-TIRE,84 B RET	234001372	TIRE ASY-SEMI PNEUMC
234001164	ASY-MTR&CBL 240V50HZ	752004009	MTR-1/4HP 110/220HZ
234001169	RCPTCL-DUPLEX84BRET	000024822	OUTLET-DUPLEX
234001170	ASY TRNSFRMR 84 BALL RET	762009020	TRSFMR 115/230 50/60
234001227	LABEL-CAUTION	250001074	DECAL KEEP HANDS AWAY
234001264	BRKT-SWTC FILLER RH61	2342004	KIT-PIT SIGNAL SWTC
236001794	PCBD-STR/FOUL S&T	612362068	PCBD STK/FL WITH REGULATOR
236001795	PCBD-STR/FOUL S/A	612362068	PCBD STK/FL WITH REGULATOR
238001352	TERMINAL, 230VAC (SHIP W/23800	290005016	WYSE 520 TERM
244001000	PINSENSOR	244001130	ACCUCAM II STD TIME DELAY U/L
244001001	CAMERA O TD	244001130	CAMERA UNDERLANE STANDARD TIME
244001008	HOOD,PROTECTIVE AMF-DARK FAWN	244001007	PINSENSOR HOOD - GRAY
244001009	PINSENSOR HOOD	244001007	PINSENSOR HOOD - GRAY
244001020	ALINMNT KIT-PINSENSE	612320715	KIT-ALMNT-OPTCL UNIT
244001030	ASSEMBLY ADAPTER BOX	244001075	ASSY-ACCUCAM DUAL CAMERA
244001039	MODIFIED CAMERA-ODD LANE	522441039	CAMERA-ODD LANE
244001060	MACHINE TRIGGER SYSTEM	244001058	BALL DETECTOR AMF
244001061	BALL DETECTOR DUAL HEAD,BRUNS	244001059	BALL DETECTOR
244001072	SPARE REFLECTOR KIT	244001121	REFLECTOR - BALL DETECTOR 3 IN
244001125	CAMERA UNDERLANE STANDARD TIME	244001130	CAMERA UNDERLANE STANDARD TIME
245001011	HINGE	260001064	HINGE MASK OLD & NEW
246001003	REFLECTOR ASS'Y	612460007	REFLECTOR ASSEMBLY (KIT)
246001011	RAD & CHAS W/LED & COV	612460010	RADARAY PLUS UNIVERSAL
246001012	RADARAY PLUS CHASSIS	612460008	RADARAY PLUS SPARE PARTS KIT
246001048	COVER ASSY REFLECTOR	612460007	REFLECTOR ASSEMBLY (KIT)
246029006	RADARAY COVERASY-NOLEDS	246001015	COVER ASSY RADARAY+ WITH LED
249001004	POWER SUPPLY PS-24N 230V ONLY	249001019	POWER SUPPLY, 120V/240V
249001019	POWER SUPPLY, 120V/240V	614286042	KIT,INTERCOM 120V/240V
250001011	IDLER S.A.(CBL-A11)	250001085	KIT, REPLACEMENT PULLEY
250001034	RAIL SPACER (CBL-47)	250001034	RAIL SPACER
250001040	MOTOR 50/60 HZ. (02-216)	250001116	MOTOR ASSEMBLY
250001085	IDLER PULLEY (VA 3001)	612820060	KIT, REPLACEMENT PULLEY
250001102	IDLER SHAFT (CBL-10)	612820060	KIT, REPLACEMENT PULLEY
250001207	10TH FRAME SWITCH RUBBER KEY P	250002140	10TH FRAME SW-ASSY
250001236	V WHEEL OPTIONS	250004060	V-WHEEL
250001435	TRANSITION BRACKET	250001119	TRANSITION BRACKET
250001435	TRANSITION BRACKET	250001119	TRANSITION PAD ASSEMBLY CBLA23
250001488	BALL PREDIRECTOR	250001669	BALL DIRECTOR
250001495	BLOWER	252001066	BLOWER FAN ASSY 50 HZ. 110/220
250001497	WEAR SLEEVE, REPLACEMENT	250002037	WEAR SLEEVE CENTER TUBE
250001721	10TH FRAME SWITCH ASSY TO B/R	250001205	TENTH FRAME SWITCH ASSY.

PART #	DESCRIPTION	CROSS REFERENCE PART #	CROSS REFERENCE DESCRIPTION
250001777	FAN 5 IN - 230 VOLT	250001791	FAN-5" 230V
250001792	BOMAX FAN DUAL VOLTAGE	250001122	BOMAX FAN DUAL VOLTAGE
252001024	BLOWER,HAND DRIER ASSEMBLY	252001066	BLOWER FAN ASSY 50 HZ. 110/220
285000001	KEYBOARD, PROGRAMMABLE	285000019	KEYBOARD ASSEMBLY,PROGRAMMABLE
285000075-0103	BOSS PLATFORM INSTALL SET V6.0	285000075-010302	BOSS PLATFORM DELL LOAD V6.0
285000080-010201	BOSS SERVER GHOST 8.0-A	285000080-010204	BOSS SERVER DELL GHOST SET 8.0
285000080-010202	BOSS SERVER GHOST 8.0-B	285000080-010204	BOSS SERVER DELL GHOST SET 8.0
285000080-010203	BOSS SERVER GHOST 8.0-C	285000080-010204	BOSS SERVER DELL GHOST SET 8.0
286001061	CAMERA INTERFACE PCB BOARD	286001060	CAMERA INTERFACE BOARD BOSS &
286001089	KEYBOARD, BOSS SCORING, ICON	286001189	BOSS GLOW KEYBOARD
286002001	COVER, LCD BOWLER'S TERMINAL	286002023	COVER, LCD BOWLER'S TERMINAL
286002010	LCD DISPLAY ASSEMBLY *OBSOLETE	286001135	LCD DISPLAY ASSEMBLY
290001043	LIU ADAPTER - 115V	290001125	RS422 BX W/115/230VP/S
290001130	RS422 CHASSIS 230V	290001125	RS422 BX W/115/230VP/S
290002019	ASSEMBLY - COMPUTONE BD W/8 PO	290004055	ASSY INTELLIPORT BD W/8 PORT S
290002023	MONITOR, VGA MONOCHROME	285000005	MONITOR, SVGA, 14"
290003022	RECEIPT/JOURNAL/VAL. PRINTER,	290003085	RECEIPT/JOURNAL PRINTER 115/23
290004088	TAPE DRIVE - BACKUP 250MB	290004099	TAPE DRIVE 420MB ADVANTAGE
294002241	FUSED DISCONNECT TERMINAL	294002115	14/3 POWER CORD,220V
2940070062	19" BLACK PAD THICKLINE #7200	294007006-2	19" BLK PAD THKLINE #7200 5/CS
294007009-3	100G 18" SAND SCR N DISC 10/CS	294007010-3	100G 19" SAND SCR N DISC 10/CS
294007045	QDT URETHANE TOP COAT 5 GAL	294007057	UV QDT URETHANE TOP COAT 5 GAL
294007046	H S URETHANE TOP COAT 5 GAL	294007057	UV QDT URETHANE TOP COAT 5 GAL
294007047	100% SOLIDS TOP COAT 8 KTS/CTN	294007054	UV 100% SLDS TOP COAT 8 KT/CTN
294007048	WATER BASED TOP COAT 5 GAL	294007074	UV WATER BASED TOP COAT 5 GAL
294007051	EASY BASE COAT, 1 KIT/CARTON	294007084	UV EASYMU, 1 KIT/CARTON
294007052	EAST TOP COAT 1 KIT/CARTON	294007084	UV EASYMU, 1 KIT/CARTON
294007053	FORMULAMU, 8 KITS/CARTON	294007085	UV FORMULAMU, 8 KITS/CARTON
294007055	UV EASY TOP COAT, 1 KIT/CTN	294007084	UV EASYMU, 1 KIT/CARTON
294007056	UV HS URETHANE TOP COAT 5 GAL	294007057	UV QDT URETHANE TOP COAT 5 GAL
294007083	EASYMU, 1 KIT/CARTON	294007084	UV EASYMU, 1 KIT/CARTON
294007087	APPRCH PROTECT PAPER 36"X780'RO	610700917	PAPER-LANE PROTECT
294028240	POWER CORD, HVO SUMMIT, 110V	294002089	12/3 POWER CORD,110V
294028241	POWER CORD, HVO SUMMIT, 220V	294002115	14/3 POWER CORD,220V
294080016	MINI VISFLO STARTER KIT	294006039	VISFLO 12.7,LOW VIS, 4 X 1 GAL
300000165	SWEEP BAR	300000182	SWEEP BAR & CAP ASY
300000167	SWEEP BAR ASY 70	300000182	SWEEP BAR & CAP ASY
300000168	SWEEP BAR MTG ASY	300000182	SWEEP BAR & CAP ASY
300000170	BRKT-SWEEP MTG RH	000023170	STEEL SWEEP RH BRKT MTG
300000171	BRKT-SWEEP MTG LH	000023171	STEEL SWEEP MTG BRKT LH
33570015	BAD NUMBER	033570015	ANGLE EVOLUTION PEARL 15#
512183118	TIME DELAY MODULE	218003157	PC BOARD TIME DELAY MODULE**
512183152	PC BD-TIME DELAY MOD	218003157	PC BOARD TIME DELAY MODULE**
512322087	KEYBRD-CONFIGURED-	232002087	KEYBRD ASY-ACCUSCR
512325045	PC BD-MPU VIDEOGRAPH	522325045	PC BD-MPU VIDEOGRAPH-REBUILT
512325050	PC BD-GDC VIDEOGRAPH	522325050	PC BD-GDC VIDEOGRAPH
512325055	PC BD-EMC	522325055	PC BD-EMC-REBUILT
512325085	PC BD-LOGIC CONV M2	522325085	PC BD-LOGIC M2 CONV
512326035	PC BD-EMC EXPN	522326035	PC BD-EMC EXPN-REBUILT
512326156	PC BD-BWL TERM 85	232006156	PC BD-BWL TRM**NOT FOR RESALE*
520305850	CHASSIS 82-30	520315850	5850 MP CHASSIS REBUILT
520316525	REB-CONVERE 30 MPCHAS	520316526	REBUILT 82/30 MP
520701702	MOTOR F/E GE RECEPTACLE ASY	620704052	MTR-12.1 WEST.RBLT
520706207	MTR & REC ASY LH	620704042	MTR-BE.LH.WEST.RBLT
520706208	MTR & REC ASY RH	620704043	MTR-BE.RH.WEST.RBLT
520707689	MTR-COMB 115/50	070006219	&MTR-115/230-50 COMB
520707691	MTR-BE RH 115/50	070006212	MTR&REC 115/230-50 RH
520707692	MTR-BE LH 115/50	070006211	MTR&REC 115/230-50 LH
520709840	PC BD MP W/ SLOTS	070009860	82-70 SINGLE CHIP PCB
520904509	GEARBOX-FRONT END 50 H	620904509	REBUILT GEARBOX F/E 50 HZ
5222850105	IDE HARD DRIVE (WORKSTATION)	522850105	IDE HARD DRIVE (WORKSTATION)
522321060	PC BD-BOWLER TERM	522326156	PC BD-BOWLR TERM 85
522324080	MONITOR 25" ZENITH	232007425	WELLS GARDNER 25" MNTR
522325104	PWR SPLY-CWC	622320065	POWER SPLY-115V CWC
522325123	PCB, MICRO 115V	522325124	PCBD-MICROMATION REB
522328730	CAMERA - ACCUSCORE XL	522441140	ACUCAM XL U/L 0 TIMEDLY CAMERA
522328742	ASY - MONITOR 27" EYGO	522328855	MNTR-27" W/G-REBUILT

PART #	DESCRIPTION	CROSS REFERENCE PART #	CROSS REFERENCE DESCRIPTION
522328935	XL CAMERA OVERLANE	522441145	ACUCAM XL O/L 0 TIMEDLY REBLT
522441000	REBUILT PINSSENSOR	522441130	ACUCAM STDTIME DELY U/L
522441090	CAMERA - OVERLANE - C'90	522441135	ACCUCAM O/L STD TIMDLY
522441140	CAMERA ASSY UNDERLANE	522441165	CAMERA ASSY UNDERLANE
522461012	RADARAY+ CHASS-REB.	612460008	RADARAY PLUS SPARE PARTS KIT
523016526	120V-60HZ-MP CHASSIS REB	520316526	REBUILT 82/30 MP
526109076	BALL TRIGGER REBUILT	620900076	BALL TRIGGER KIT W/SPEED 3' RE
52B308798	REB PIN COUNTER-UNDER OBS XREF	030005840	8230 INFARED PIN CNTR12V
52T308798	REB PIN COUNTER-OVER -OBS XREF	030005840	8230 INFARED PIN CNTR12V
530021645	LEVER ASY-SWITCH	000021645	LEVER ASY-SWITCH
530021914	CHANNEL	000021914	CHANNEL
530022099	BELT-V PITCH LT 1133	000022099	BELT-V PITCH LT 1133
530022193	ROLLER IDLER	000022193	ROLLER IDLER
530022770	PAD CUSH SPNGE RUBBER	000022770	PAD CUSH SPNGE RUBBR
530022782	SPRING COUNTER BAL	000022782	SPRING COUNTER BAL
530022914	W/I TAG#010982	000022924	SUPPORT-BEARING
530022924	SUPPORT	000022924	SUPPORT-BEARING
530023465	SUPPORT WELDMENT	000023465	SUPPORT WLDMNT-LH MACH RH SIDE
530023650	SPRNG-LH WND RH SIDE	000023650	SPRNG-LH WND RH SIDE
530024512	SPRING	000024512	SPRING-LH
530024612	PAD-STARTER	000024612	PAD-STARTER
530024624	SEGMENT-BACK RH MACH-USED	000024624	SEGMENT-REAR RH
530024715	PLUG-HUBBELL CON	000024715	2-WIRE FEMALE CONNECT--HUBBELL
530024736	BRG .375 X .875 X .281	000024736	BRG .375X.875X.281
530024981	BRG MATCHED PAIR	000024981	BRG MATCHED PAIR
530025005	ROD END	000025005	END FITTING LH
530026043	SWITCH-MICRO	000026043	SWITCH-MICRO
530026401	SHAFT	000026401	SHAFT
530026445	PIN CURTAIN RH-LH	000026445	2 PLYPREM PIN CURTAIN
530026446	ROD END	000026446	ROD END
530026458	SHEAVE-CARPET ROLLER	000026458	SHEAVE-CARPET ROLLER
530026836	TRSFMR 115-60	000026836	TRSFMR 115-60
530027390	HOUSING	000027390	DIST DRIVE HSNQ
530027731	LAMP-PINDICATOR	000027731	LAMP-PINDICATOR
530028237	SPRING	000028237	SPRING ASSY
530029608	SHAFT-SHEAVE	000029608	SHAFT-SHEAVE
530029661	SHOCK ABSORBER-USED	000029661	SHOCK ABSORBER
530301119	CAM FOLLOWER-USED	030001119	CAM FOLLOWER
530301232	GEAR-DRIVEN ASY	030001232	DRIVE GEAR ASY
530301387	ROD-CONNECTING	030001387	ROD-CONNECTING
530301420	LINK-CUP ACTUATING	030001420	LINK-CUP ACTUATING
530302197	SHAFT DRIVE	030002197	SHAFT DRIVE
530303451	SPRING RESPOT	030003451	SPRING RESPOT
530304751	BRG .7500X1.66250	030004751	BRG .7500X1.66250
530305064	DEFLECTOR PIN 1	030005064	DEFLECTOR PIN 1
530305923	RELAY GE	030005923	POTENTIAL RELAY
530306017	W/I TAG#010960	030006017	BELT-V
530306505	BUMPER CURTAIN	030006505	BUMPER CURTAIN
530306540	TRSFMR 115 50/60	030006540	TRSFMR 115 50/60
530306732	CHANNEL-SWEEP	610700150	SWEEPBAR KIT FOR 2 MACH
530306733	SHIELD-SWEEP	610700150	SWEEPBAR KIT FOR 2 MACH
530307568	RELAY	030007568	RELAY
530308308	PIN-PIVOT FNGR-TOGLE-USED	030008309	BRKT-SHORT TRACK SUP
530308541	SEGMENT	030008541	GEAR TRAIN-SEGMENT
530308670	PULLEY	030008670	PULLEY
530308780	SHAFT-LOWER	030008780	SHAFT-LOWER
530701261	W/I TAG#010750	070011288	ROD-CURTAIN
530701840	TABLE DRIVE ASY	070001840	&TABLE DRIVE ASY
530702175	SHAFT	070002175	SHAFT
530702603	LEVER OUTER YOKE- USED	070002603	LEVER OUTER YOKE
530703162	CNECT ROD ASY MTR	070003162	CNECT ROD ASY MTR
530704042	MTR-BE.LH.WEST CORE	630704042	MOTOR BE RH WEST USED
530704043	MTR-BE.RH.WEST CORE	630704043	MOTOR BE RH WEST USED
530704052	MTR-12.1 WEST CORE	630704052	MOTOR 12.1 WST CMB USED
530705666	CIRC BREAKTEX 785478	070005666	CIRC BREAKTEX
530706048	BLT-DISTRIBUTOR	070006757	82-70 DIST BLT-BLK-SING
530706061	SHAFT-CAM SUPT-DIST.	070006061	SHAFT-CAM SUPT-DIST.

PART #	DESCRIPTION	CROSS REFERENCE PART #	CROSS REFERENCE DESCRIPTION
530706427	CAM ASY-SHUTTLE ASY	070006427	CAM ASY-SHUTTLE ASY
530706746	SHAFT-LOWER	610900709	STRT SHFT& SPCKER KIT LOWR
530706747	SHAFT UPPER	610900711	STRAIGHT SHFT&SPACER KIT UPER
530707694	MTR BE LH NTL	520707694	MTR-BE LH NTL-REBUILT
530904501	GEARBOX BERH 60HZ	630904501	USED GEARBOX BERH 60HZ
530904502	GEARBOX BELH 60HZ	630904502	USED GEARBOX BELH 60HZ
530904504	GEARBOX FRONT END 60 HZ	630904504	USED GEARBOX FRONT END 60 HZ
530904506	GEARBOX BERH 50HZ	630904506	USED GEARBOX BERH 50HZ
530904507	GEARBOX BELH 50HZ	630904507	USED GEARBOX BELH 50HZ
530904509	GEARBOX-FRONT END 50 HZ	630904509	USED GEARBOX-FRONT END 50 HZ
530933501	ELLIPTCAL REFL	093003501	ELLIPTICL REFLECTOR
532008300	EPROM ENG LOWBOY	532328300	EPROM ENG LOWBOY
532328742	ASY MONITOR 27" EYGO	532328855	USED MONITOR WELLS 27"
550707690	MTR-CMBO NATL AS-IS	520707690	MTR-CMB12.1*NTL-RBLT
550707693	MTR-RH BE NTL AS-IS	520707693	MTR-BE RH NTL-REBLT
550707694	MTR-LH BE NTL AS-IS	520707694	MTR-BE LH NTL-REBUILT
610003026	MAN-I&S W/CVR 6525	610003027	MAN-I&S W/CVR 6525
610007002	MAN-MASK MD4 70INST	610007003	MAN-MASK MD4 30INST
610007041	82-70 PINSPOッター CATALOG	610007044	8270 CUST.PARTS CATALOG 1999
610009001	82-90XL PINSPOッター MANUAL	610900010	XL PINSPOッター MAN. SET
610009010	MOTOR/GEARBOX REPAIR & MAINT M	610900010	XL PINSPOッター MAN. SET
610009040	8290XL CHASSIS MANUAL	610900010	82-90XL ENGLISH MANUAL SET
61000S7028	SERVICE PART 7028 MAN	610007028	MAN-PTS/SERV 70 MP
6100P7028	PARTS FOR 7028 MAN	610007028	MAN-PTS/SERV 70 MP
6100S7028	SERVICE PART PF 7028 MAN	610007028	MAN-PTS/SERV 70 MP
610700089	SHIELD-SWP LH 70 CLR	610700150	SWEEPBAR KIT FOR 2 MACH
610700099	CHANNEL-SWP 70 CLR	610700150	SWEEPBAR KIT FOR 2 MACH
610700121	SHP CRTN LT BALL SNS	610700122	LIGHT BALL SENSOR
610704019	KIT-U/L WIRE HARN.RH	070011801	HRNESS RH-C1 & C2A
610704047	TRANSISTOR REP KIT	762502034	TRNSTR-MPS 2222
610704142	KIT-RELAY+BRKT+INSTR	610704141	KIT-RELAY+BRKT+INSTR
610707713	TORQUE TUBE REPLACEMENT KIT	610704003	TORQ TUBE+YOK CNV KT
610709802	MP CHAS LESS PC 60HZ	620709802	REBT CHASSIS-M/P 110V-50/60HZ
610709803	CHAS MP LESS BDS50HZ	070003901	MP+ CHASSIS 220V/50 HZ
610709810	BETTER BUSINESS	610709870	XOP BD W/OUT CABLE ASY
610-72-1705	LT SIDE PLATE	AMF-A1	LT SIDE PLATE
610-72-1709	DUSTR ROLR	SA8517	DUSTR ROLR
610-72-1710	LEATHER CLUTCH	PAD-12	LEATHER CLUTCH
610-72-1714	RATCHET ASSY	PAD-A4	RATCHET ASSY
610-72-1717	DUSTR BASE MTG	HSA3	DUSTR BASE MTG
610-72-1718	SPRING	A0271	SPRING
610-72-1720	1/4X 1-1/4 PIN	01564	1/4X 1-1/4 PIN
610-72-1721	THIN PHEN WASH	01161	THIN PHEN WASH
610-72-1728	7/16 WASH PLTD	01160	7/16 WASH PLTD
610900023	BALL TRIGGER INSTALLATION KIT	610900076	B/R INSTALL. KIT *3 REFLECTOR
610900033	BALL TRIGGER INSTALL KIT 3" RE	610900076	BALL TRIG KIT W/SPEED 3"REFLEC
610900034-01	USE 610009034-01	610009034-01	XTREME INSTALL. & MAIN. MANUAL
610900220	MODEL 70 CLUTCH KIT	612700001	CLUTCH KIT 82-70
610903693	MANAGERS CONTROL INSTALLATION	610903697	MANAGERS CONTROLL INSTALLATION
610905700	MANAGER CONTROL BOX KIT 82-90	610905716	MCU BOX KIT W/RAISED KEYPAD
61100061-002	DUSTER BASE MT	HSA3	DUSTER BASE MT
61100061-005	IDLER SUPPORT	HS16	IDLER SUPPORT
61100061-010	ROLL PIN 1/8X	01489	ROLL PIN 1/8X
61100061-023	CLEV. PIN 3/8	01166	CLEV. PIN 3/8
61100065-000	CMPND HING HOUSE	LK9	CMPND HING HOUSE
61100072-000	BRACKET	LK16	BRACKET
61100073-000	SOLENOID LINK	LK17	SOLENOID LINK
61100079-000	HINGE SPACER	LK23	HINGE SPACER
61100081-000	BEARING	LK25	BEARING
61100082-000	BEARING	LK26	BEARING
61100099-000	SPRING	LK58	SPRING
61100111-000	STUD	LK289	STUD
61100112-000	CRANK ARM	LK290	CRANK ARM
61100116-000	BRACKET	LK339	BRACKET
61100138-000	LT SIDE FRAME	LKA204	LT SIDE FRAME
61100139-000	RT SIDE FRAME	LKA205	RT SIDE FRAME
61100142-000	LTHD ANG BRAC	LKA218	LTHD ANG BRAC

PART #	DESCRIPTION	CROSS REFERENCE PART #	CROSS REFERENCE DESCRIPTION
61100150-000	LK CB COIN	LKSA22	LK CB COIN
61100151-000	OUTER HOLDER	LKSA23	OUTER HOLDER
61100159-001	WELD STUD 3/8	01492	WELD STUD 3/8
61100188-000	EDGE CONNECTOR	02463	EDGE CONNECTOR
61100213-000	THRUST WASHER	03410	THRUST WASHER
61100215-000	SEE 04-005 GROMMET 1/2	04005	SEE 04-005 GROMMET 1/2
61100218-000	DOOR HANDLE	04475	DOOR HANDLE
61100220-000	RUBBER BUMPER	04484	RUBBER BUMPER
61100221-000	LOCK-CHICAGO	04485	LOCK-CHICAGO
61100222-000	SPACER	04493	SPACER
612081017	KIT-SPRNG MTG INST	208111254	SPRING MOUNTING ASY
612320712	KEYBOARD REPLACEMENT AS+	612320812	KIT-KEYBD REPL ASC+
612320980	MNTR CNTRL PCB - C'90 ASSY.	232008080	CIRCUIT BD
612320981	PC BD-BWLR TERM	232007110	PC BD-BWLR TERM
61232146101	BANNER, XTREME BOWLING "GLOW I	612321461-01	BANNER, XTREME BOWLING "GLOW I
612362067	PCBD-STK/FL ELEC	612362068	PCBD STK/FL WITH REGULATOR
612457503		610457503	BALL DRILLER 50HZ 2500
612457512	SPECTRUM BALL DRILL KIT-	610457512	BALL DRILLER 60HZ-EXPANDED KIT
612457513	SPECTRUM BALL DRILL KIT-	610457513	BALL DRILLER 50HZ-EXPANDED KIT
612460002	RADARAY PLUS	612460010	RADARAY PLUS UNIVERSAL
612460030	RADARAY PLUS (DOMESTIC ONLY)	612460010	RADARAY PLUS UNIVERSAL
612480008	KIT - TABLE MOUNT NEW	280000017	KIT-SETTEE TABLE
612850100	MANUAL CLIENT SERVER V.6 ENGLI	612321487-01	MANUAL C/S USERS ENGLISH V.8
61860135-006	OIL TK FELT	B022820	OIL TK FELT
620457502	BALL DRILL MACH	610457502	BALL DRILLER 60 HZ 2500
620460008	RADARAY PLUS SPARE PARTS KIT	612460008	RADARAY PLUS SPARE PARTS KIT
620704042	MOTOR BACKEND LH 60CY	610704042	MTR&REC LH BE 110/60
620704043	MOTOR BACKEND RH 60CY	610704043	&MTR&REC RH BE 110/60
620704052	MOTOR COMBO 60CY	610704052	MTR115/60 WESTCOMB*Q.A.
620704053	MTR-14.5 WEST.-REBUILT	620704052	MTR-12.1 WEST.RBLT
650704042	MTR-BE LH WEST AS-IS	620704042	MTR-BE.LH.WEST.RBLT
650704043	MTR-BE RH WEST AS-IS	620704043	MTR-BE.RH.WEST.RBLT
650704052	MTR-12.1 WEST AS-IS	620704052	MTR-12.1 WEST.RBLT
701021009	MORITOR BEARING, OPE	701021010	BRG BL .6693X1.5748
701212001	BRG-NEEDLE ROLLER	030007259	BRG TH SET OF FOUR
701408051	BRG FL.253X.377X3/32	030001506	BRKT ASY-TABLE TRACK
701524080	BRG SL.753X1X1"LG	900112161	BRG SL .753X1"LG
702508003	BELT FLAT 1/8X2 3/4	070006757	82-70 DIST BLT-BLK-SING
702508004	BLT-FLAT1/8X3 1/2	030005677	82-30 DIST BLT-NITRILE
702508023	ROLL-8270 BK DIST BELT	610709811	82-70 DB W/LACES BLK-R
702508025	BELT	070006757	BELT-DISTRIBUTOR
710502011	GREASE FITTING	710501013	GREASE FITTING
715010400	LUBE-B.GARD-2 BULK	715010307	LUBE-SOHIO*2 1LB
715010407	LUBE-SOHIO*78 1LB-OBSOLETE SEE	715010307	LUBE-SOHIO*2 1LB
715010507	LUBE-SOHITRAN*2 1LB	715010307	LUBE-SOHIO*2 1LB
715021000	LUBE-OIL 80 BULK	715021006	LUBE-WAY OIL-SAE 80
715021716	LUBE OIL - MOBIL 600W - QUART	715021706	OIL 82-90 MTR*12QTS TO A CASE*
716501013	SEAL-OIL OP SHAFT	716503020	SEAL-OIL WEST*472164
716504018	PIRAL GEAR SEAL	716503022	SEAL-OIL DIST SHAFT
721501020	RUBBER MOUNT	000029068	RUBBER MOUNT
721502022	BUSHING-RUBBER MONROE SHOCK	721502005	BSH NG - RUBR MONRO SHK
721505022	BUSHING-RUBBER MONROE SHOCK	721502005	BSH NG - RUBR MONRO SHK
724518129	NUT CLIP-8-32	724511006	TIN-NUT-SPD.C814-832
730020012	ROD & CLIP ASSY 7/8 SHF	070002814	LINK ASY
730021013	ROD&CLIP ASY5 5/16LG	070002813	RESPOT LINK
730025017	SPRAYER-AMLOW COMP	730025000	HANDY SPRAYER
730063088	BREATHER PLUG	785501040	PLUG-BREATHR GE&WEST
743000017	CPTR-270-324MFD110AC	743000015	CPTR-270-300MFD CSP/270
751001524	LAMP FIXTURE 115/60	000021652	PIT LIGHT ASY 120/60
755520068	RELAY 1.5 A	755520071	RELAY 1.5A CRYDOM
755525034	RELAY CNTCTS-SEMALS	070011755	RELAY 50/60HZ
760003069	TERM-CONNECTOR-ELCO	760003110	TERM CONN (REEL)
760006042	TERM-FLAG-AMP 41532	760006195	TERM FLG.250X.032 LP
760015056	TERM-SPDE AMP60476-2	760016161	TERM-760015056LSE PC
760017034	TERM-STRAIT AMP41211	760017036	TERM-STRAIT AMP41729
760017035	TERM-STRAIT AMP41274	760017036	TERM-STRAIT AMP41729
760017045	TERM STR-AMP60878-2LOOSE PIECE	760017044	TERM STR-AMP41772 RL

PART #	DESCRIPTION	CROSS REFERENCE PART #	CROSS REFERENCE DESCRIPTION
762007007	TRSFMR MPU 115/60	762011011	TRSFMR 115/230 50/60
770013013	STRAP-PNDUIT SST-2-B	770011029	TYRAP-7.31 INCH LG
770046164	PWR SPLY-5V 8AMP MAX	770046209	PWR SUPPLY-5V 8AMP MAX
770247	MAG CNTRL BOX 8.0 SFT	780247	MAG CNTRL BOX
770250	SPEED CONTROL BOX, 110V	780250	SPED CNTL 110
770260	SPEED CONTROL BOX, 220	780260	SPED CNTR 220
78002	CARCASS, PC CONTROL BOX	781187	CARCASS, PC CONTROL BOX
780247-7	REBUILD MAG CNTRL BOX 7.7 SOFT	780247	REBUILT MAG COTRL BOX 8.0 SOFT
781131	RECON CRTL BOX	80090	RECON CRTL BOX
785501038	PLUG-BREATHER 30 COMB GE	785501040	PLUG-BREATHR GE&WEST
785501048	CAGE PLANTRY GEAR 70	785501587	CAGE PLANTRY GEAR 70
785501136	PLANET GEAR	785531136	PLANET GEAR
785501137	GEAR	785501134	&GEAR-PLANET
785501147	GEAR BACKEND GE	785501434	WORM-WHEEL70 BE WEST
785501192	CENT MECH	785501193	CENT MECH
785501194	CNTRF-MECH30&70BE GE	610309046	NATL.COMBO MTR.S/S SWTH
785501208	PLATE-ADPTR 70BE WST	000025590	RECEPTACLE HOUSING
785501306	SHIM-INBD WH-BRG 70	785501308	SHIM-SET IB WHEL BRG 50&60 CY
785501315	SHIM-SET.003-5-7-10 SEE NOTE	785501312	SHIM-WHL CAP70CMB GE 50&60CY
785501375	SWTCH-CENT30&70BE GE	610309046	NATL.COMBO MTR.S/S SWTH
785501377	SWTCH-ROTNNG70BE WEST	610309046	NATL.COMBO MTR.S/S SWTH
785501378	SWTCH-ROTNNG70CB WEST	785501568	GOVNR-COMBO NO:1020B05A01
785501450	BRG SL .5015X.752	785501653	BUSHING, CAGE
785501457	SHIM-WHL CAP.007	785501312	SHIM-WHL CAP70CMB GE 50&60CY
785501462	SHIM.003IB WRM 30 GE	785501305	SHIM SET-IB WORM GE 50&60 CY
785501463	SHIM-INBD WORM .005	785501305	SHIM SET-IB WORM GE 50&60 CY
785501464	SHIM.007IB WRM 30 GE	785501305	SHIM SET-IB WORM GE 50&60 CY
785501465	SHIM.010IB WRM 30	785501305	SHIM SET-IB WORM GE 50&60 CY
785501466	SHIM.003WHL CAP COMB	785501312	SHIM-WHL CAP70CMB GE 50&60CY
785501467	SHIM.005WHL CAP COMB	785501312	SHIM-WHL CAP70CMB GE 50&60CY
785501468	SHIM.010WHL CAP COMB	785501312	SHIM-WHL CAP70CMB GE 50&60CY
785501495	WORM WHEEL GE	785501435	WORM-WHEEL70CMB WEST
785501520	CENT SW WEST BE 50HZ	610309042	NATL.COMBO MTR.S/S SWTH
785501521	CENT MECH WST BE50HZ	610309042	NATL.COMBO MTR.S/S SWTH
785501550	STATOR-50HZ OLD	070007873	MTR 115/230 50 WEST
785501561	GVRNR-70WEST MTR50HZ	610309042	NATL.COMBO MTR.S/S SWTH
785501562	SW CENT70WES MTR50HZ	610309042	NATL.COMBO MTR.S/S SWTH
785501563	BOLT THRU-WES BE MTR	785501022	BLT-THRU 70 BE WEST
785501569	GOVENOR - COMBO 50 CYCLE	785501531	SWITCH ROTATING 50 CY
785501598	OVERLOAD-NTL RPLCMT MTR	090003630	OVERLOAD PROTECT C-90 MTRS
785501604	SOLID STATE SWITCH	090004560	START SWITCH 60HZ
785501626	SHIM-BE MTR .010 THK	785501309	SHIM-SET OB WHEL BRG
785501628	SHIM-WHEEL BRG .001	785501309	SHIM-SET OB WHEL BRG
785501642	SHIM-OB WHL BRG .015	785501310	SHIM-SET OB WHEL BRG 50 & 60CY
785501644	GSKT-BRG HSG .015	785501106	GSKT-70 BE GE&WEST 50&60HZ
785501645	GSKT-BRG HSG .032	785501106	GSKT-70 BE GE&WEST 50&60HZ
785501646	SHIM-IB WHL BRG .001	785501308	SHIM-SET IB WHEL BRG 50&60 CY
785501647	SHIM-IB WHL BRG .002	785501308	SHIM-SET IB WHEL BRG 50&60 CY
785501648	SHIM-IB WHL BRG .005	785501308	SHIM-SET IB WHEL BRG 50&60 CY
785501650	GSKT-BRG CAP .015 BE	785501108	GSKT-DST CAP GE&WEST 50&60HZ
785501651	GSKT-BRG CAP .032 BE	785501108	GSKT-DST CAP GE&WEST 50&60HZ
785501659	SPACER-SPRNG MTR	785501350	SPRNG-FNGR70CMB WEST
785501664	SWTCH - CENT 115/60	610309046	NATL.COMBO MTR.S/S SWTH
785501665	CENT MECH - 115160	610309046	NATL.COMBO MTR.S/S SWTH
785501669	SHIM-.001WRM SHF BRG	785501314	SHIM SET; WORM SHAFT BRG
785501670	SHIM-.005WRM SHF BRG	785501314	SHIM SET; WORM SHAFT BRG
785502011	BEARING (NAT. COMBO)	000024590	BRG .7874 X 1.8504
785502012	BEARING (NAT. COMBO)	701021010	BRG BL .6693X1.5748
785502029	RETANERRINGS100100NATLMTR	919006100	SNAP RING-EXTERNAL
785502031	WORM SHAFT COMB	785532031	WORM SHAFT-USED
785502056	BEARING	701077015	BRG BL 1.7717X2.9528
785502102	BRG-6303 SKF	701021013	BRG BL .6693X1.8504
785502118	GEAR	785532118	GEAR LH
785502143	COTTER PIN	911011122	PIN COTTER 5/64X3/4
785502146	BRG-6203 SKF	701021008	BRG BL .6693X1.5748
785502190	SWITCH-CENTRIFUGAL	610309042	NATL.COMBO MTR.S/S SWTH
785502191	CENTRIFUGAL MECH	610309042	NATL.COMBO MTR.S/S SWTH

PART #	DESCRIPTION	CROSS REFERENCE PART #	CROSS REFERENCE DESCRIPTION
785502192	SWITCH-CENTRIFUGAL	610309042	SWITCH-CENTRIFUGAL
785502193	CENT. MECHANISM	610309042	NATL.COMBO MTR.S/S SWTH
785502244	NATLBEMTRLH/RH50HZ	785502258	NATL BE LH/RH 50HZ
785502245	NATLBEMTRLH/RH60HZ	785502259	NATL BE LH/RH MTR 60HZ
785502246	NATL RPLCMTMTR COMBO 50	785502260	NATL REPLACE COMBO MTR 50HZ
785503030	WORM INTG 6/1 (60HZ)	610900090	B/END WORM GEAR RPLMT KIT 60HZ
785521075	REWOUND STATOR-WEST.	070007829	MTR-COMBO 120/60
785521076	REWONDSTATOR WESTB.E.	070007872	MTR-NO GERBOX 115/60
785532056	BEARING	701077015	BRG BL 1.7717X2.9528
785532093	RECPT	000025906	RECEPTACLE-MALE B.E.
792009010	CRIMPING TOOL	792512019	CRIMP TOOL MILBAR#25
80036	DUST CLOTH	294008443	DUST CLOTH
80062	REPLACE KIT	80074	REPLACE KIT
80088	VJ PROSCALE UPGRADE KIT, 220V	80017	PROSCALE UPDATE KIT
80101	SB UP KIT	294080125	SB UP KIT
801262032	7/16X1.0 CARRIAGE BOLT	801369161	CARRIAGE BOLT 7/16X 1 GRADE 5
806249160	SCREW STSQ 1/4-20 X 1	806749160	SCR SQHD SET1/4-20X1
807365060	SCR-STSO3/8-16X3/8KN	807265060	SCR-STSO3/8-16X3/8CP
808849365	SCR.FSHC1/4-20X2 1/4	808849565	SCR-SOFL 1/4-20 X 3 1/2
808857120	SCR-SOFL 5/16-18X3/4	808557120	SCR-SOFL 5/16-18X3/4
809149165	BOLT HEX	809849165	SCR-HX 1/4-20X1
809965645	SCR-HHC 3/8-16X4	809865645	SCR-HX 3/8-16X4
810257120	SCR-SOC 5/16-18X3/4	610309013	KIT-HINGE REPAIR
812633102	SCR-RDHD+ 8-32X5/8	818233122	SCR-SMRD+ 8-32X3/4
813333102	8-32X5/8 SLT PN HD SCREW,PLTD	818233122	SCR-SMRD+ 8-32X3/4
813949082	SCREW - HEX HD MCH 1/4 - 20 X	809849085	SCR-HX 1/4-20X1/2
818227042	SCR-SMRD+ 6-32X1/4	818627042	SCR-SMRD= 6-32X1/4
818233062	SCR-SMRD+ 8-32X3/8	818233062	SCR-SMRD+ 8-32X3/8
834540002	NUT-HEX 10-32 CD	835540002	NUT-HX-JAM 10-32 CD
881840102	SCR-TMPRST 10-32X5/8(3/4 BY DE	808340101	SCR-BUTTON SOC HD 10-32 X 5/8
895000001	NUT-LK N 10	845100000	NUT-LK-BRG N-10
907201000	1875 X 1.25 SQ. KEY	907201200	KEY-SQ-3/16X2 1/4 LG
937738003	RVT-DRVE STL UNV HD	937710005	ALUMINUM DRIVE RIVET
938523050	RVT OPN END POP 1/8 .251 X .31	000026852	GEAR ASY
940276000	TBNG-VNYL 9 / 16 DIA	940372000	SLEEVING-EXP 1/2 DIA
948767135	WSHR-FL.406X.734 BLK	948767132	WSHR13/32X13/16X1/16
952937060	WASHER-SPRING	070006386	TRACK ASSY L H
954564138	WSHR THRUST .375X.812X.063	030007259	BRG TH SET OF FOUR
954664138	WSHR THRUST .375X.812X.095	030007259	BRG TH SET OF FOUR
957600002	1/4 EXT LOCK WASHER	01053	1/4 EXT LOCK WASHER
995000002	BRG SL .628X1"LG	900110161	BRG SL .628X1" LG
995000003	BRG SL .628X.878X1/2	900110081	BRG SL .628X.878X1/2
995000004	BRG SL .628X.878X7/8	900110141	BRG SL .628X.878X7/8
A0023	NYLON GUIDE	SA1005	NYLON GUIDE
A0029	GUIDE ROLLER	SA1006	GUIDE ROLLER
A0037-1	DR SHAFT SPAC	A00371	DR SHAFT SPAC
A0041-1	BEAR LOCK COL	A00411	BEAR LOCK COL
A0112	SPRING S/ARM	SA1186	SPRING S/ARM
A0127	BK MOD 110	RP197	BK MOD 110
A0178	GEAR MODIF	SA1060	GEAR MODIF
A0182	DUST ADJ BOLT	A8217	DUST ADJ BOLT
A0186	LEATHER CLUTCH	PAD-12	LEATHER CLUTCH
A0402	IOL TANK LINKG	A0885	IOL TANK LINKG
A0438	WHEEL,COATED	SA1205	WHEEL,COATED
A0439	HUB WHEEL	A0438	HUB WHEEL
A0440	AXLE,CNTR WHL	A00371	AXLE,CNTR WHL
A0441	MNT CNTR WHL	SA1205	MNT CNTR WHL
A0532-BLACK	BLACK CAM	A0364	BLACK CAM
A0532-GREEN	GREEN CAM	A0362	GREEN CAM
A0532-RED	RED CAM	A0365	RED CAM
A0557	BRAKE PAD	RP197	BRAKE PAD
A0573	DUSTER STOP	A8218	DUSTER STOP
A0658	SCR HEATSINK	SA1121	SCR HEATSINK
A0849	DIE SPRING PLUNGER,STD	SA2019	DIE SPRING PIN ASS'Y
A0913	WHEEL, GUIDE	SA0224	WHEEL, GUIDE
A0946	AL PUSH ROD	294110946	AL PUSH ROD
A0947	LANE EDGE M	294110947	LANE EDGE M

PART #	DESCRIPTION	CROSS REFERENCE PART #	CROSS REFERENCE DESCRIPTION
A0961	VERT SENSOR BASE MODIF., 220V	A0724	SENSOR BASE MODIFICATION
A0977	DECAL,PRICE CHG SHEET,CENTURY	B0977	DECAL,PRICE CHG SHEET,CENTURY
A0993	OR A-0995 DRV	A0994	OR A-0995 DRV
A0999	CATCH ARM	294002027	CATCH ARM, HVO
A1042	3/16 HEADLESS	04084	3/16 HEADLESS
A2013	VAC MOTOR MOU	SA2004	VAC MOTOR MOU
A2014	VAC MT PIV SH	SA2004	VAC MT PIV SH
A2051	DIE SPRING PN	SA2019	DIE SPRING PN
A2052	DIE SPG PIN C	SA2019	DIE SPG PIN C
A4040	PRESS LINK PIN	SA1106	PRESS LINK PIN
A5017	SOLV TNK TUBE	04036	SOLV TNK TUBE
A5044	OIL TANK	SA5044	OIL TANK
A5046	VALVE	04034	VALVE
A5564	ADJUST SCREW	SA9041	ADJUST SCREW
A8222	LINK ARM	80110	LINK ARM
A8237	LANE TOWEL	294118237	LANE TOWEL
A8293	SDE BLOCK LINK	80110	SDE BLOCK LINK
B0040-L	DRIVE WHEEL LT	A0994	DRIVE WHEEL LT
B0065	S/S ROLLER S	A0296	S/S ROLLER
B0133	DR GEAR MOD	SA6011	DR GEAR MOD
B0135	BRK SOL,MT,PLT	RP197	BRK SOL,MT,PLT
B0185	SUP CLOTH ROL	A5552	SUP CLOTH ROL
B0187	TUBE COLLAR	SA1060	TUBE COLLAR
B0228-20	OIL TNK FELT	B022820	OIL TNK FELT
B0228-28	OIL TNK FELT	B022828	OIL TNK FELT
B0228-36	OIL TAK FELT	B022836	OIL TAK FELT
B0481	RISER CHANNEL	B0733	RISER CHANNEL
B0523	MTG PLATE	RP86	MTG PLATE
B0538-L	PHEN RLLR DR	B0538L	PHEN RLLR DR
B0538-R	PHEN RLLR DR	B0538R	PHEN RLLR DR
B0585-L	PIVOT CAST	B0585L	PIVOT CAST
B0585-R	PIVOT CAST	B0585R	PIVOT CAST
B0605	CN REPL BRACKET	RP86	CN REPL BRACKET
B5543	DRIP FELT	A0031	DRIP FELT
B8233	SOLVENT TRAY	SA0256	SOLVENT TRAY
B8338	DRIVE SHAFT	A0705	DRIVE SHAFT
BDA6	IDLER ASSY	PAD-A6	IDLER ASSY
BDA7	OSTR CLTH DRIVE TBE	SA1062	OSTR CLTH DRIVE TBE
BP97	BUFF COMPOUND	BP122	BUFF COMPOUND
FN0195	PROGRAM RECORDS, 6.0 AND UP	FM0195	PROGRAM RECORDS, 6.0 AND UP
HSA6	DUSTER CLTH DRVE TBE	SA1062	DUSTER CLTH DRVE TBE
HSA9	FRAME WELD N/PT	HSA1	FRAME WELD N/PT
LK12	SPRING COLLAR	A0741	SPRING COLLAR
LK24	(NCP)CLUTCH PAD	A0740	(NCP)CLUTCH PAD
LK263-1	OSCILLATOR ARM-CASTING	A0466	OSCILLATOR ARM-CASTING
LK268-1	HUB CASTING	A0739	HUB CASTING
LK290-1	CRANK ARM CAST	B0465	CRANK ARM CAST
LK315	OSC BUMPER SPA	LK244	OSC BUMPER SPA
LK321-1	BGR. CASTING	B0472	BGR.CASTING
LK90-1	PLLY NO BROACH	LK90	PLLY NO BROACH
LKA202	LOWER BAFFLE W	LK224	LOWER BAFFLE W
LKA206	BAFFLE WELMT	LK234	BAFFLE WELMT
LKA210	UPPER BAFFLE W	LK277	UPPER BAFFLE W
PAD-2	IDLER	PAD-A6	IDLER
PAD-A2	DSTR DRV ASSY	SA1062	DSTR DRV ASSY
PK0136	SET, PAD	PK0135	SET, PAD
PK0168	TAPE	294004057	TAPE
RP170	GP PROG PAD	FM0001	GP PROG PAD
RP171	SB PROG PAD	FM0002	SB PROG PAD
RP180	SILVER BULLET PROGRAM GUIDE	FM0005	SILVER BULLET PROGRAM GUIDE
RP188	CEN PC REC PD	FM0011	CEN PC REC PD
RP189	SEE FM-0014 CEN PC INST	FM0014	SEE FM-0014 CEN PC INST
RP19	NAR GID SET SEE SA-1005	SA1005	NAR GID SET SEE SA-1005
RP195	10 TO 10 BUFFER TUBE COVER	294002302	10-10 BUFFER TUBE MOHAIR COVER
RP208	7-7 BUFFER TUBE COVER ASSEMBLY	294002301	7-7 BUFFER TUBE MOHAIR COVER
RP21	CAST WHEEL	04171	CAST WHEEL
RP30	STP NAR SET	SA1006	STP NAR SET

PART #	DESCRIPTION	CROSS REFERENCE PART #	CROSS REFERENCE DESCRIPTION
RP43-1	ALUM PLATE	RP43	ALUM PLATE
RP43-3	TENSION SPRG	RP43	TENSION SPRG
RP49-2	PART MAN ONLY	RP49-1	PART MAN ONLY
RP59-6	OIL TK RPR KT	FM0013	OIL TK RPR KT
RP62	HANDLE KIT	RP87	HANDLE KIT
RP62-5	START EXT	RP62-A1	START EXT
RP62-7	BRAK PLATE	RP62-A1	BRAK PLATE
RP62-8	LOCK STUD	RP62-A1	LOCK STUD
RP69	SP OIL TNK	SA1064-36	SP OIL TNK
RP72-1	PLASTIC GAGE	RP72A1	PLASTIC GAGE
RP72-2	ALUM GAUGE PT	RP72A1	ALUM GAUGE PT
RP72-A1	GAUGE	RP72A1	GAUGE
RP73-1	PLASTIC GAGE	RP72A1	PLASTIC GAGE
RP75	HANDLE KIT	RP87	HANDLE KIT
RP95	VLS FEMALE REC	RP193	VLS FEMALE REC
SA0037	GFCI END 110	SA6012	GFCI END 110
SA0068	POWER CORD	02589	POWER CORD
SA0114	CH RELAY 110V	80085	CH RELAY 110V
SA0123	CONET BDY 110	SA1107	CONET BDY 110
SA0124	CONNECT BODY	SA6012	CONNECT BODY
SA0157	HEAD,VAC WELD	SA0150	HEAD,VAC WELD
SA0165	CLEAN TANK AS	SA0263	CLEAN TANK AS
SA0188	VIDEO BD CONFI	80115	VIDEO BD CONFI
SA0206	POWER CRD 110	SA2067	POWER CRD 110
SA0207	POWER CRD 220	SA2068	POWER CRD 220
SA0239	TANK PLUG ASS'	A0251	TANK PLUG ASS'
SA0240	DIP STICK LG	SA6525	DIP STICK LG
SA0241	DIPSTICK,LG	SA0213	DIPSTICK,LG
SA0266	TRAY MT ASS'Y	SA0322	TRAY MT ASS'Y
SA0267	TRAY MT ASS L	SA0323	TRAY MT ASS L
SA1017	SOLENIOD MTG	02002	SOLENIOD MTG
SA1022	ROLLER ASSY	SA0296	ROLLER ASSY
SA1023-L	ROLLER SUPORT	SA1023L	ROLLER SUPORT
SA1023-R	ROLLER SUPT	SA1023R	ROLLER SUPT
SA1036-2	DR MTR BRAKE	SA10362	DR MTR BRAKE
SA1079	BUFF DR ASSY	SA1103	BUFF DR ASSY
SA1082	BUFF MOT DR	SA1103	BUFF MOT DR
SA10886	OIL TNK WICK	SA108836	OIL TNK WICK
SA10888	OIL TNK WICK	SA108828	OIL TNK WICK
SA10976	OIL TNK WELD	SA109736	OIL TNK WELD
SA10978	OIL TNK WELD	SA109728	OIL TNK WELD
SA1120	METAL CORE ASY	80024	METAL CORE ASY
SA1131	CONTROL BOX GP	80090	CONTROL BOX GP
SA1157	DR.MTR, S/B	SA1214	DR.MTR, S/B
SA1158	DRV MTR 220SB	SA1215	DRV MTR 220SB
SA1172	SB CONTROL BOX	781172	RECONDITIONED SB CONTROL BOX
SA1177	TRANSFER ROLLER DRIVE ASSY	294002070	TRANSFER ROLLER DRIVE ASSY
SA1183C	7,3,10,10,3,7 TANK REPL KIT	80035C	7,3,10,10,3,7 TANK REPL KIT
SA1183D	7,5,8,8,5,7 TANK REPL KIT	80035D	7,5,8,8,5,7 TANK REPL KIT
SA1184D	7,5,8,8,5,7 OIL TANK REPL KIT	80035D	7,5,8,8,5,7 OIL TANK REPL KIT
SA1203	WHEEL, COATED	A0438	WHEEL, COATED
SA1204	FORK ASSEMBLY	SA1205	FORK ASSEMBLY
SA1212	HANDLE ASSY, PC & MAGNUM	294002088	HANDLE ASSY, HVO SUMMIT
SA1225	BLOCK ASS'Y	03004	BLOCK ASS'Y
SA1228	BLK BRG ASS'Y	03004	BLK BRG ASS'Y
SA3001	DRIVE MOT ASS	SA3035	DRIVE MOT ASS
SA3016	BUF IDLER ASSY	RP145	BUF IDLER ASSY
SA3018	BUFFER TUBE COVER ASSEMBLY	RP110	LDD BUFFER TUBE COVER ASSEMBLY
SA3023-L	PHEN ROLL ASS	SA3023L	PHEN ROLL ASS
SA3023-R	PHEN ROLL ASS	SA3023R	PHEN ROLL ASS
SA3029	POWER CORD	SA6012	POWER CORD
SA3031	BRK REPL.KIT	RP197	BRK REPL.KIT
SA3032	100 BFFR MTR PREWIRD 115V50/60	RP107	100 BFFR MTR PREWIRD 115V50/60
SA3033	DR MOTOR ASSY	SA3035	DR MOTOR ASSY
SA3034	BUFF MOT ASSY	SA3036	BUFF MOT ASSY
SA31378	OIL TNK WEL	SA313728	OIL TNK WEL
SA31380	ASSY 20" FLT	SA313820	ASSY 20" FLT

PART #	DESCRIPTION	CROSS REFERENCE PART #	CROSS REFERENCE DESCRIPTION
SA31388	OIL TNK ASSY	SA313828	OIL TNK ASSY
SA4504-110	CHRGING UNIT ASSY, 110V TO 12V	SA4504	CHRGING UNIT ASSY, 110V TO 12V
SA6516-R	IDLER ASSY	SA6516R	IDLER ASSY
SA6522	SPR LOAD BLK	SA9041	SPR LOAD BLK
SA8512	TRAY MT ASSY LT	SA8540	TRAY MT ASSY LT
SA8514	SOLVENT TRAY	SA0256	SOLVENT TRAY
SA9017-1	CORD ARM ASSY	SA9017	CORD ARM ASSY
SA9027	CLEAN TANK	SA9042	CLEAN TANK
SA9029	VAC HD WELDMT	SA9032	VAC HD WELDMT
SA9036	VAC HD SD ASS	SA0321	VAC HD SD ASS
SA9037	AVLS BK SOL	RP197	AVLS BK SOL
SA9039	SOLVENT TRAY	SA0256	SOLVENT TRAY
SC9	SHAFT	SC69	SHAFT
SCA20	DR.BRG.ASS'Y	SA0024	DR.BRG.ASS'Y
SCA21	IDLER WELD	SA0021	IDLER WELD
SCA22	IDLER ASS'Y	SA0023	IDLER ASS'Y
SV104	VAC FITTING MO	04151	VAC FITTING MO
SV48	DRIP CTCH FELT	SV74	DRIP CTCH FELT
SV55	PIVOT BOLT	SV105	PIVOT BOLT
SV67	VALVE NUT	02204	VALVE NUT
SV78	MOLDED BASE	SV78-1	MOLDED BASE
SV79	SWASTE TANK	SV79-1	SWASTE TANK
SV80	CLEANER TANK	SV80-1	CLEANER TANK
SV97	TOWER-GREEN	SVA34	TOWER-GREEN
SV99	SCREEN CAP	SVA34	SCREEN CAP
SVA14	TER BLK ASSY	SVA42	TER BLK ASSY
SVA23	HANDLE ASSY	SVA44	HANDLE ASSY
SVA26-1	GRN WASTE TANK	SVA50	GRN WASTE TANK
SVA27-1	VLS CLEAN TANK ASSY, CEN GREEN	SVA51	VLS & WIRE REPLACEMENT KIT
SVA35	SEE RP 193	RP193	SEE RP-193 MALE VLS





REPAIR/EXCHANGE
PROGRAM



NEW PART #	DESCRIPTION	REBUILD PART #
218003157	PC BOARD TIME DELAY	522183157
231001033	PRINTED CIRCUIT BOARD - CPU	522311033
231001034	PRINTED CIRCUIT BOARD - LANE A	522311034
231001035	PRINTED CIRCUIT BOARD - LANE C	522311035
231001037	PRINTED CIRCUIT BOARD - POWER	522311037
231001120	LIU WITHOUT BOARDS	522311120
231001154	SIU BOX-RS 485	522311154
232004080	MONITOR 25" ZENITH	522324080
232005045	PC BOARD - MPU VIDEOGRAPH	522325045
232005055	PC BOARD - EMC	522325055
232005085	PC BOARD - LOGIC M2 CONV.	522325085
232006156	PC BOARD BOWLER TERMINAL 85	522326156
232007110	BOWLER TERMINAL PC BOARD	522327110
232007150	CWC - ACCUSCORE PLUS 115V 50/60HZ	522327150
232007265	EPROM MODULE ENGLISH PROGRAM	522327265
232007320	27" ZENITH COLOR MONITOR	522327320
232007350	CWC - ACCUSCORE PLUS 115V/230V	522327350
232007425	25" WELLS GARDNER MONITOR	522327425
232007500B	CWC A/S+ 115V/230V (BLACK)	522327500B
232007500	CWC A/S+ 115V/230V (RED)	522327500R
232008056	27" WELLS MONITOR NTSC	522328056
232008057	27" WELLS MONITOR NTSC/RGB	522328057
232008080	MONITOR CONTROL BOARD	522328080
232008295	VIDEO SPLIT CHASSIS	522328295
232008300	EPROM LOWBOY	522328300
232008421	MONITOR	522328421
232008518	27" WELLS GARDNER C-90 MONITOR	522328518
232008527	ASSEMBLY - EPROM FORTY FRAME GAME	522328527
232008546	EPROM,ASSY,DUALFORTY FRAME	522328546
232008636	25" WELLS GARDNER MONITOR	522328636
232008680	BOWLER TERMINAL BOARD	522328680
232008703	14" WELLS GARDNER MONITOR	522328703
232008725	MACHINE INTERFACE UNIT	522328725
232008760	XL CPU ACCUDESK	522328760
232008780	PC BOARD, AC BOX	522328780
232008840	XL CPU W/OUT TUNER (K-BYTE)	522328840
232008845	XL CPU W/8755 TUNER (K-BYTE)	522328845
232008855	MONITOR 27" WELLS GARDNER	522328855
232008874	MONITOR SVGA COLOR 13"/14" USE 522850005	522328874
232008885	CONTROL DESK INTERFACE	522328885
232009060	XL CPU W/OUT TUNER (K-BYTE) UL	522329060
232009151	KEYBOARD - ADVANTAGE PENTIUM	522329151
232009165	TAPE / FLOPPY DRIVE	522329165
232009200	FINAL ASSEMBLY CONTROLLER W/ FA	522329200
232009290	XL CPU W/OUT TUNER (RADISYS)	522329290
232009320	BOSS CPU W/OUT TUNER	522329320
232009325	BOSS CPU W/9051 TUNER (RADISYS)	522329325-051
233001000	ARRAY STRIP - ACCUSONIC	522331000
233001535	PC BD ACCUSONIC	522331535
238001325	EPROM ENG/ACC	522381325
238001335	ACCUDESK INTERFACE BOX	522381335
244001125	CAMERA UNDERLANE STANDARD TIME DELAY	522441125
244001130	CAMERA UNDERLANE STANDARD TIME DELAY	522441130
244001135	CAMERA OVERLANE STANDARD TIME DELAY	522441135
244001140	CAMERA UNDERLANE ZERO TIME DELAY	522441140
244001145	CAMERA OVERLANE ZERO TIME DELAY	522441145
244001150	CAMERA UNDERLANE ZERO TIME DELAY	522441150
244001155	CAMERA OVERLANE ZERO TIME DELAY W/O HOOD	522441155
244001165	CAMERA UNDERLANE ZERO TIME DELAY	522441165
244001170	CAMERA OVERLANE ZERO TIME DELAY	522441170
249001005	INTERCOM CALL MASTER NEM10A	522491005
249001007	INTERCOM CALL MASTER NEM30A	522491007
250001014	CONTROL BOX	522501014
285000005	MONITOR SVGA 14"	522850005
285000006	MONITOR TOUCH SCREEN 14"	522850006
285000007	LEXMARK LASER TICKET PRINTER 115V	522850007
285000008	LEXMARK LASER TICKET PRINTER 230V	522850008
285000009	LEXMARK LASER PRINTER 115V	522850009
285000011	RECEIPT PRINTER	522850011
285000019	KEYBOARD ASSEMBLY, PROGRAMMABLE	522850019

NEW PART #	DESCRIPTION	REBUILD PART #
28500042	CASH DRAWER INTERNATIONAL	522850042
28500043	POLE DISPLAY COMPACT	522850043
286001011	14" MONITOR BOSS	522861011
286001038	MONITOR 27" BOSS SCORING	522861038
286001039	MONITOR 34" BOSS SCORING	522861039
286001050	PCB BOWLER TERMINAL	522861050
286001060	CAMERA BOARD	522861060
290001018	RS 485 ADVANTAGE QUAD TECH BD.	522901018
290001125	HOME RUN RS422 CHASSIS 115V	522901125
290002024	KEYBOARD 101/102 ENHANCED A/T	522902024
290003022	ITHACA RECEIPT PRINTER - JOURNAL 115V	522903022
290003023	ITHACA RECEIPT PRINTER - JOURNAL 230V	522903023
290003032	OKIDATA TICKET PRINTER 115V	522903032
290003033	OKIDATA BACK OFFICE PRINTER 115V	522903033
290003042	OKIDATA TICKET PRINTER 230V	522903042
290003043	OKIDATA BACK OFFICE PRINTER 230V	522903043
290003085	RECEIPT PRINTER	522903085
290004036	MONITOR VGA 14" SELL 285000005	522904036
290004055	ASSY INTELLIPORT BD W/8 PC	522904055
290005016	WYSE 285 TERMINAL 115V/230V	522905016
290005017	WYSE 285 KEYBOARD	522905017
290005033	XL POLE DISPLAY W/ CABLE	522905033
294002072	SUMMIT CONTROL BOX	522942072
610709802	MP CHASSIS 115V 50/06HZ	620709802
610709870	XOP BOARD W/O CABLE ASSY.	620709870
610900076	BALL TRIGGER	620900076
612460010	RADARRAY PLUS	620460010
784559000	27" MONITOR KIT	527849000
030015850	5850 MP CHASSIS	520315850
030016524	82/30 MP CHASSIS 240V 50HZ	520316524
030016526	82/30 MP CHASSIS	520316526
070003900	MP + CHASSIS 110/60 HZ	620703900
070003901	MP + CHASSIS	620703901
070003902	SUPER STAR MP CHASSIS	620703902
070004042	MOTOR BE LH	620704042
070004043	MOTOR BE RH	620704043
070004052	MOTOR COMBO 12.1	620704052
070009860	82/70 SINGLE CHIP MP BOARD	520709860
090004501	GEARBOX BACK END RIGHT HAND 60HZ	620904501
090004502	GEARBOX BACK END LEFT HAND 60HZ	620904502
090004504	GEARBOX - FRONT END 60HZ	620904504
090004506	GEARBOX BACK END RIGHT HAND 50HZ	620904506
090004507	GEARBOX BACK END LEFT HAND 50HZ	620904507
090004509	GEARBOX - FRONT END 50HZ	620904509
090005700	8290 CHASSIS 115V	620905700
090005705	82/90 XL CHASSIS 230V	620905705
090005764	82/90 CHASSIS 230V	620905764
090005765	FRONT END BOX S/F	620905765
090005769	8290 CHASSIS 230 CE COMP	620905769
090008800	8800 CHASSIS 115V	620908800
090008864	8800 CHASSIS 230V	620908864
232009325-054	BOSS CPU W/9054 TUNER (RADISYS)	522329325-054
232009325-055	BOSS CPU W/8755 TUNER (RADISYS)	522329325-055
285000000-01	WINDOWS NT WORKSTATION	522850000-01
N/A	MOTOR - RIGHT HAND - BACK END	520305911
232009065-051	XL CPU W/9051 TUNER (K-BYTE) UL	522329065-051
232009065-054	XL CPU W/9054 TUNER (K-BYTE) UL	522329065-054
232009065-055	XL CPU W/8755 TUNER (K-BYTE) UL	522329065-055
232009275-054	SCORER CONTROLLER W/9054 TUNER CARD	522329275-054
232009275-055	SCORER CONTROLLER W/8755 TUNER CARD	522329275-055
232009295-051	XL CPU W/9051 TUNER (RADISYS)	522329295-051
232009295-054	XL CPU W/9054 TUNER (RADISYS)	522329295-054
232009295-055	XL CPU W/8755 TUNER (RADISYS)	522329295-055
SA0247	MAGNUM CONTROL BOX ASSY 8.0	780247
SA0249	RELAY BOARD MAGNUM	780249
SA0250	SPEED CONTROL BOX 110V	780250
SA0260	SPEED CONTROL BOX 220V	780260
SA1172	SILVER BULLET CONTROL BOX	781172
SA1187	PC CONTROL BOX	781187





PARTS INDEX



ASSEMBLY	ITEM #	PART #	DESCRIPTION	PAGE #
FRONT END FRAME & PLATFORM ASSEMBLY RH MACHINE				
	1	809-849-285	HEX HD, SCREW, 1/4 - 20 X 1 - 3/4 LG.	3
	2	948-753-102	FLAT WASHER, 5/8 O.D. 9/32 I.D. 1/16	3
	3	070-006-425	R.H. PLATFORM (R.H. MACHINE)	3
	4	070-006-414	REAR PLATFORM SUPPORT WELDMNT, (BALL RETURN SIDE)	3
	5	809-865-285	HEX HD, SCREW, 3/8 - 16 X 1 - 3/4 LG.	3
	6	070-004-654	SUPPORT ANGLE	3
	7	948-767-132	FLAT WASHER, 13/16 X O.D. 13/32 I.D.X 1/16 THK.,	3
	8	839-665-002	NUT, HEXLOCK 3/8 - 16	3
	9	844-049-002	NUT, HEXLOCK 1/4 - 20	3
	10	070-001-819	FRONT PLATFORM SUPPORT WELDMNT (BALL RETURN SIDE)	3
	11	250-001-046	LARGE GROMMET	3
	12	090-004-001	CROSS BEAM WELDMNT	3
	13	809-865-125	HEX HD,SCREW, 1/4 - 20 X 3/4 LG.	3
	14	070-001-596	ANGLE BRACKET	3
	15	809-865-165	HEX HD, SCREW, 3/8 - 16 X 1 LG.	3
	16	070-001-698	PIT ANGLE BRACKET	3
	17	000-025-183	S/O CLIP (NOT USED)	3
	18	090-004-006	SIDE FRAME, L.H.	3
	19	843-500-001	UNISTRUT NUT, P3010, 1/2 - 13	3
	20	000-021-786	BEARING PLATE - FRAME ADJ.	3
	21	070-007-509	NUT, ELEVATING	3
	22	835-573-002	NUT, HEX JAM 1/2 - 13	3
	23	000-021-787	THICK WASHER	3
	24	070-007-510	SCREW, ELEVATING	3
	25	700-107-076	LOCTITE - THREAD - LOC	3
	26	070-007-843	LONG UNISTRUT	3
	27	070-001-817	PLATFORM ANGLE SUPPORT	3
	28	948-761-112	FLAT WASHER, 11/16 O.D. X 11/32 I.D. X 1/16 THK.	3
	29	810-556-320	HEX HD. LAG SCREW, 5/16 X 2 LG.	3
	30	070-006-405	PLATFORM ANGLE SUPPORT	3
	31	844-057-002	HEX LOCK NUT, 5/16 -18	3
	32	070-008-126	CLAMP BAR	3
	33	000-021-528	SADDLE	3
	34	804-557-731	U-BOLT SWEEP MTGN.	3
	35	809-865-245	HEX HD. SCREW, 3/8 - 16 X 1 - 1/2 LG.	3
	36	070-011-165	PIN SPRING ROLLER	3
	37	070-001-668	ROLLER, SPRING	3
	38	945-867-242	WASHER, 1 - 1/2 O.D. X .406 O.D.X .048 THK.	3
	39	963-400-002	X-WASHER, 9000-12	3
	40	809-865-165	HEX HD, SCREWS, 3/8 - 16 X 1 LG.	3
	41	070-006-413	BRACKET WELDMNT (BIN SUPPORT- L.H.)	3
	42	711-520-017	SMALL GROMMET	3
	43	070-006-411	BRACKET WELDMNT (BILL SUPPORT - R.H.)	3
	44	070-007-844	SHORT UNISTRUT, BALL RETURN SIDE	3
	45	070-006-490	FRAME SUPPORT WELDMNT	3
	46	090-004-005	FRAME BRACE WELDMNT L.H.	3
	47	070-006-426	PLATFORM	3
	48	090-004-004	FRAME BRACE WELDMNT R.H.	3
	49	090-004-002	SIDE FRAME R.H.	3
	50	809-865-325	HEX HD, SCREW, 3/8 - 16 X 2 LG.	3
	51	090-004-028	DECAL (NOT SHOWN)	3

FRONT END FRAME & PLATFORM ASSEMBLY LH MACHINE (CONTINUED)

	1	070-006-426	PLATFORM	5
	2	809-849-285	HEX HD, SCREW, 1/4 - 20 X 1 - 3/4 LG.	5
	3	948-753-102	FLAT WASHER, 5/8 O.D. X 9/32 I.D. X 1/16 THK.	5
	4	070-006-405	PLATFORM ANGLE SUPPORT	5
	5	809-865-325	HEX H.D. SCREW, 3/8 - 16 X 2 LG.	5
	6	070-001-817	PLATFORM ANGLE SUPPORT	5
	7	205-001-046	LARGE GROMMET	5
	8	090-004-001	CROSS BEAM WELDMNT	5
	9	090-004-003	SIDE FRAME R.H.	5
	10	809-849-125	HEX HD, SCREW, 1/4 - 20 X 3/4 LG.CREW, 1/4 - 20 X 3/4 LG.	5
	11	070-001-596	ANGLE BRACKET	5
	12	070-001-698	PIT ANGLE BRACKET	5
	13	844-049-002	NUT, HEX LOCK, 1/4 - 20	5
	14	809-865-165	HEX HD. SCREW, 3/8 - 16 X 1 LG	5

ASSEMBLY	ITEM #	PART #	DESCRIPTION	PAGE #
FRONT END FRAME & PLATFORM ASSEMBLY LH MACHINE (CONTINUED)				
	15	844-065-002	NUT, HEX LOCK, 3/8 - 16	5
	16	948-767-132	FLAT WASHER, 13/16 O.D. X 13/32 I.D. X 1/16 THK.	5
	17	090-004-006	SIDE FRAME, L.H.	5
	18	853-500-001	UNISTRUT NUT, P3010, 1/2 - 13	5
	19	000-021-786	BEARING PLATE - FRAME ADJ.	5
	20	070-007-509	NUT, ELEVATING	5
	21	835-573-002	NUT, HEX JAM 1/2 - 13	5
	22	000-021-787	THICK WASHER	5
	23	070-007-510	SCREW, ELEVATING	5
	24	070-001-819	FRONT PLATFORM SUPPORT WELDMENT (BALL RETURN SIDE)	5
	25	070-007-843	LONG UNISTRUT	5
	26	948-761-112	FLAT WASHER, 11/16 O.D. X 11/32 I.D. X 1/16 THK.	5
	27	810-556-320	HEX, HD. LAG SCREW, 5/16 X 2 LG.	5
	28	700-107-076	LOCTITE, THREAD LOC	5
	29	000-021-528	SADDLE	5
	30	804-557-731	U-BOLT SWEEP MTGN.	5
	31	809-849-285	HEX HD. SCREW, 1/4 - 20 1 - 3/4 LG. CREW, 1/4 - 20 X 1 3/4 LG.	5
	32	070-006-414	REAR PLATFORM SUPPORT WELDMENT (BALL RETURN SIDE)	5
	33	844-057-002	HEX LOCK NUT, 5/16 - 18	5
	34	070-008-126	CLAMP BAR	5
	35	809-865-245	HEX HD, SCREW, 3/8 - 16 X 1 - 1/2 LG.	5
	36	000-025-183	S/O CLIP (NOT USED)	5
	37	070-006-413	BRACKET WELDMENT (BIN SUPPORT - L.H.)	5
	38	809-865-165	HEX HD. SCREW, 3/8 - 16 X 1 LG.	5
	39	963-400-002	X-WASHER, #9000 - 12	5
	40	945-867-242	WASHER 1 - 1/2 O.D. X 406 I.D. X .048 THK.	5
	41	070-001-668	ROLLER, SPRING	5
	42	070-011-165	PIN SPRING ROLLER	5
	43	070-006-411	BRACKET WELDMENT (BIN SUPPORT - R.H.)	5
	44	711-520-017	SMALL GROMMET	5
	45	070-006-490	FRAME SUPPORT WELDMENT	5
	46	090-004-005	FRAME BRACE WELDMENT, L.H.	5
	47	070-007-844	SHORT UNISTRUT, BALL RETURN SIDE	5
	48	090-004-004	FRAME BRACE WELDMENT, R.H.	5
	49	070-006-425	R.H. PLATFORM, L.H. MACHINE	5
	50	070-004-654	SUPPORT ANGLE	5
	51	090-004-028	DECAL (NOT SHOWN)	5
	52	070-006-308	GROMMET	5
	53	008-100-413	ADHESIVE04-028 DECAL (NOT SHOWN)	5
FRONT END DRIVE ASSEMBLY (CONTINUED)				
	1	090-004-509	GEARBOX, 50 HZ	6
		090-004-504	GEARBOX, 60 HZ	6
	2	090-004-548	MOTOR, 50 HZ	6
	2A	090-004-547	MOTOR, 60 HZ	6
	3	090-004-526	BUSHING	6
	4	090-005-875	RECEPTACLE ASSEMBLY	6
	5	828-127-062	THREADED SCREW, 6-32 X 1/2	6
	6	809-865-285	HEX HD. SCREW, 3/8 - 16 X 1 3/4 LG.	6
	7	839-665-002	STOVER LOCK NUT, 3/8 - 16	6
	8	810-265-280	SOCKET HD CAP SCREW, 3/8 - 1 X 1-3/4 LG.	6
	9	839-665-002	STOVER LOCK NUT, 3/8 - 16,	6
		090-003-510	50 HZ ASSEMBLY (INCLUDES ITEMS 1-9	6
			WITH 50 HZ MOTOR & GEARBOX)	6
		090-003-511	ASSEMBLY (INCLUDES ITEMS 1-9	6
			WITH 60 HZ MOTOR & GEARBOX)	6
	10	070-006-765	SHAFT PLATE	6
	11	809-857-125	HEX HD. CAP SCREW, 5/16 - 18 X 3/4 LG.	6
	12	948-761-112	WASHER 11/32 I.D. X 11/16 O.D. X 1/16 THK. (NOT USED)	6
	13	844-057-002	STOVER LOCK NUT, 5/16 - 18	6
	14	090-005-565	TABLE DRIVE SHAFT	6
	15	907-000-900	HI-PRO KEY # 910	6
	16	090-005-589	SPOT & RESPOT CAM	6
	17	070-001-562	SPOT & RESPOT CAM HUB CAP	6
	18	090-003-605	SPOT & RESPOT LINK ASSEMBLY	6
	19	070-001-707	EXTENSION SPRING	6
	20	070-006-427	SHUTTLE CAM	6

ASSEMBLY	ITEM #	PART #	DESCRIPTION	PAGE #
FRONT END DRIVE ASSEMBLY (CONTINUED)				
	21	070-006-407	SHUTTLE CAM HUB CAP	6
	22	070-006-417	TABLE CAM WELDMENT	6
	23	070-001-664	CLAMP STUD	6
	24	835-549-002	HEX NUT, 1/4 - 20	6
	25	070-006-420	TABLE CAM SWITCH & LEVER ASSY.	6
	26	818-239-122	SEMS ROUND HD SCREW	6
	27	843-139-002	SEMS KEP NUT, 10-24	6
	28	090-004-020	LUTCO 3-BOLT TRIANGULAR BALL BEARING	6
	28A	902-900-110	COLLAR 1.25 BEARING LOCK	6
	28B	701-420-034	BEARING 1.25 BORE 3 BOLT FLANGE	6
	29	809-865-165	HEX HD CAP SCREW 3/8 - 16	6
	30	839-665-002	STOVER LOCK NUT, 3/8 - 16	6
	31	090-003-655	SOLENOID OPERATED SHUTTLE ASSY.	6
	32	070-006-493	BALL JOINT ASSEMBLY	6
	33	090-003-606	TABLE DRIVE ASSEMBLY	6
	34	809-873-405	HEX HD. CAP SCREW, 1/2 - 13 X 2 - 1/2 LG.	6
	35	070-007-311	SLEEVE	6
	36	190-001-490	BEARING	6
	37	070-007-310	BUSHING	6
	38	844-073-002	STOVER LOCK NUT, 1/2 - 13	6
	39	070-001-699	SWEEP SHAFT	6
	40	070-006-450	SWEEP CAM WELDMENT	6
	41	070-006-449	SWEEP CAM WELDMENT	6
	42	070-006-420	SWEEP CAM SWITCH & LEVER ASSY.	6
	43	000-023-139	CRANK ARM	6
	44	070-003-243	SWEEP DRIVE SCREW	6
	45	250-001-544	SPACERS .025 X .597 X .072	6
	46	090-004-516	DRAG BRAKE ASSEMBLY	6
SPOT AND RESPOT LINK ASSEMBLY				
	1	809-857-125	SCR, HX 5/16 - 18 X 3/4	7
	2	951-164-002	LOCKWASHER, 3/8	7
	3	090-005-026	SPACER, 7/8 X 1 - 1/4 LG.	7
	4	090-005-025	PIVOT SHAFT, 5/8 O.D. X 8 - 5/8 LG.	7
	5	070-001-919	FLANGED BEARING	7
	6	070-006-492	RESPOT ARM LINK ASSEMBLY	7
	7	710-501-009	GEASE FITTING, ALEMITE # 3006	7
	8	610-704-002	CAM FOLLOWER BEARING ASSEMBLY	7
	9	844-070-002	STOVER LOCK NUT, 7/16 - 20	7
	10	710-501-012	GEASE FITTING ALEMITE # B911	7
	11	090-005-576	SPRING HANGER	7
	12	070-001-587	SPRING HANGER PIN	7
	13	839-665-002	FLEX LOC NUT, 3/8 - 16	7
	14	070-002-691	FLANGED BEARING	7
	15	070-001-585	SPOT LINK PIN	7
	16	070-001-605	UPPER SPOTTING LINK ASSEMBLY	7
	17	900-110-141	BRONZE SLEEVE BEARING	7
	18	070-001-997	SPOTTING ARM LATCH ASSEMBLY	7
	19	070-006-481	SPOT ARM LINK ASSEMBLY	7
	20	844-073-002	STOVER LOCK NUT, 1/2 - 13	7
	21	913-464-360	ROLL PIN, 3/8 O.D. X 2 - 1/4 LG.	7
	22	070-006-493	BALL JOINT ASSEMBLY	7
SOLENOID OPERATED SHUTTLE ASEMBLY (CONTINUED)				
	1	090-005-263	SHUTTLE CONNECTING ROD	9
	2	840-065-002	NUT, FLEX LOCK, 3/8 - 16	9
	3	900-210-251	FLANGED BEARING	9
	4	070-006-295	SHUTTLE OPERATING ROD LEVER	9
	5	090-004-017	RESPOT LEVER SHAFT	9
	6	900-208-041	FLANGED BEARING, .503 X .753 X 5/16	9
	7	090-005-018	SOLENOID BRACKET	9
	8	839-533-002	NUT, FLEX LOCK, 8 - 329	9
	9	844-049-002	NUT, STOVER LOCK, 1/4 - 20	9
	10	843-133-002	NUT, HEX LOCK, 8 - 32	9
	11	090-005-029	SOLENOID GUARD	9
	12	809-849-125	SCREW, HEX, 1/4 - 20 X 3/4	9
	13	813-933-162	SCREW, HEX, 8 - 32 X 1	9

ASSEMBLY	ITEM #	PART #	DESCRIPTION	PAGE #
SOLENOID OPERATED SHUTTLE ASSEMBLY (CONTINUED)				
	14	913-448-120	SPRING PIN, 1/4 X 3/4	9
	15	070-006-724	LINK, SHUTTLE SPRING, UPPER	9
	16	070-006-277	SPRING WASHER	9
	17	070-006-276	SHUTTLE DRIVE SPRING	9
	18	070-006-282	LINK, SHUTTLE SPRING, LOWER	9
	19	090-005-028	SOLENOID PIVOT STUD	9
	20	839-665-002	NUT, FLEX LOCK, 3/8 - 16	9
	21	070-008-132	LINK ASSEMBLY	9
	22	070-006-278	CAM LINK	9
	23	070-001-777	LINK PIN	9
	24	913-415-100	SPRING PIN, 3/32 X 5/8	9
	25	835-549-002	NUT, HEX JAM, 1/4 - 20	9
	26	070-006-116	CLAMP STUD, 1/4 X 1-1/8	9
	27	070-006-292	LINK	9
	28	070-006-280	SPRING CLIP	9
	29	070-006-283	SHUTTLE DRIVE LINK SPRING	9
	30	090-005-017	SOLENOID PIVOT SHAFT	9
	31	907-000-200	KEY	9
	32	070-006-456	STOP LEVER	9
	33	1913-464-480	SPRING PIN, 3/8 X 3	9
	34	901-100-110	SET COLLAR	9
	35	070-006-728	CAM FOLLOWER	9
	36	809-865-205	SCREW, HEX, 3/8 - 16 X 1-1/4	9
	37	835-570-002	NUT, HEX JAM, 7/16 - 20	9
	38	710-501-012	GREASE FITTING	9
	39	963-200-002	X - WASHER	9
	40	900-204-121	FLANGED BEARING, .25 X .378 X 3/4	9
	41	070-008-134	LINK ASSEMBLY	9
	42	070-008-133	LINK ASSEMBLY SPACER	9
	43	070-006-287	PIN, LONG	9
	44	070-002-630	FLANGED BEARING, .252 X .315 X .218	9
	45	948-041-100	RUBBER WASHER	9
	46	090-005-723	SOLENOID, 50/60 HZ, 115V / 230V	9
	47	814-333-122	SCREW, HEX, 8 - 32 X 3/4	9
	48	844-057-002	NUT, HEX, 5/16 - 18	9
	49	070-006-284	CLAMP STUD 5/16 X 1-3/4	9
	50	809-865-205	SCREW, HEX, 3/8 - 16 X 1	9
	51	835-566-002	NUT, HEX JAM, 3/8 - 16	9
	52	809-865-245	SCREW, HEX, 3/8 - 16 X 1-1/2	9
	53	844-065-002	NUT, STOVER LOCK, 3/8 - 16	9
TABLE DRIVE ASSEMBLY (CONTINUED)				
	1	844-073-002	STOVER LOCK NUT, 1/2" - 13	11
	2	070-007-310	BUSHING	11
	3	190-001-490	BALL BEARING	11
	4	070-007-755	YOKE WELDMENT ASSMBLY	11
	5	070-007-311	SLEEVE	11
	6	809-873-405	HEX HD. CAP SCREW, 1/2 - 13 X 2 -1/2 LG.	11
	7	844-070-002	FLEX LOC NUT, 7/16 -20	11
	8	000-021-881	BALL BEARING	11
	9	000-021-878	SPACER	11
	10	000-021-879	ROD END	11
	11	919-000-600	RETAINING RING, # N5000-137	11
		000-021-880	ROD END ASSEMBLY 9INCLUDES ITEMS 8-11)	11
	12	070-001-849	ECCENTRIC WASHER 1, O.D. X 5/8 I.D. X 1/8 THK.	11
	13	844-070-002	FLEX LOC NUT, 7/16 -20	11
	14	090-005-549	ECCENTRIC	11
	15	070-002-776	ROLLER BEARING CONE # 18685	11
		070-002-779	ECCENTRIC & CONE ASSEMBLY (INCLUDES ITEMS 14 & 15)	11
	16	070-002-777	ROLLER BEARING CUP # 18620	11
	17	913-423-120	ESNA ROLL PIN, 1/8 O.D. X 3/4 LG.	11
	18	070-008-324	LATCH ARM ASSEMBLY (1/8" ROLL PIN HOLE)	11
	19	070-001-917	COMPRESSION SPRING	11
	20	900-205-053	FLANGE BEARING	11
	21	070-001-893	CAM BALL ASSEMBLY	11
	22	070-001-898	LATCH ASSEMBLY	11
	23	900-104-071	SLEEVE BEARING	11

ASSEMBLY	ITEM #	PART #	DESCRIPTION	PAGE #
TABLE DRIVE ASSEMBLY (CONTINUED)				
	24	070-001-894	PIVOT PIN	11
	25	710-501-004	GREASE FITTING, ALEMITE # 1641	11
	26	913-415-120	ESNA ROLL PIN, 3/32 O.D. X 3/4 LG.	11
	27	070-002-780	ROLLER BEARING CUP # 07196	11
	28	070-002-824	CONE & SEAL	11
	29	070-006-729	SPRING DISC	11
	30	809-870-285	HEX HD. CAP SCREW, 7/16 - 20 X 1- 3/4 LG.	11
	31	070-008-325	PIN, 1/8" ROLL PIN HOLE	11
	32	0700-008-322	LINK, 1/8" ROLL PIN HOLE	11
	33	912-137-200	GROOVE PIN 1/16 O.D. X 1-1/4 LG. TYPE 2	11
	34	963-300-002	X-WASHER, # 9000-10	11
	35	880-139-120	SHOULDER SCREW, 1/4 X 3/8	11
	36	070-001-857	ROLLER	11
	37	070-001-861	LINK & HUB ASSMEBLY	11
	38	070-002-652	BUSHING	11
		070-007-250	LINK ASSEMBLY (INCLUDES ITEMS 37 & 38)	11
	39	839-539-002	FLEX LOC NUT, # 10 - 24	11
	40	070-001-931	SPRING	11
	41	070-001-932	PIN	11
	42	070-001-889	TABLE DRIVE CRANK HOUSING	11
	43	070-002-778	CRANK HOUSING & CUP ASSEMBLY (INCLUDES ITEMS 16, 20, 27, & 42)	11
	44	000-021-880	ROD END ASSEMBLY(INCLUDES ITEMS 8,9,10, & 11)	11
SWEEP AND TABLE CAM SWITCH ASSEMBLY				
	1	000-021-575	INSULATOR	13
	2	000-021-644	SWITCH LEVER	13
	3	000-021-714	ADJUSTING SCREW	13
	4	000-024-657	SPRING	13
	5	000-026-042	SWITCH	13
	6	000-026-401	SHAFT	13
	7	000-026-419	HOUSING WELDMENT	13
	8	744-107-014	NYLOCLIP-BURNDY HP6N	13
	9	818-227-402	SCREWS, SEMS RD. HD. # 6 32 X 2 -1/2 LG.	13
	10	818-233-082	SCREWS, SEMS RD HD # 8 32 X 1/2 LG.	13
	11	835-550-002	NUT, HEX JAM (1/4 - 28)	13
	12	843-127-002	NUT, KEPS (# 6 - 32)	13
	13	843-133-002	NUT, KEPS (# 8 - 32)	13
	14	963-200-002	X-WASHER, # 9000 - 8	13
TABLE ASSEMBLY – ALUMINUM (CONTINUED)				
	1	070-002-684	TABLE CASTING –OBS	15
	2	844-065-002	NUT-FLEX LOC 3/8 –16	15
	3	070-007-616	PIN 5/16	15
	3A	070-002-681	PIN 1/4	15
	4	070-002-653	BUSHING	15
	5	070-007-622	LEVER RESPOT W FLANGE BUSHING	15
	6	963-400-002	X WASHER 9000-12	15
	7	963-200-002	X WASHER 9000-8	15
	9	810-239-120	SOCKET HEAD CAP SCREW 10-24 X 3/4	15
	10	839-539-002	NUT FLEX LOC	15
	11	070-002-702	STOP RESPOT	15
	12	844-049-002	LOCK NUT STOVER 1/4 -20	15
	13	070-002-577	STUD	15
	14	844-057-002	LOCK NUT STOVER 5/16-18	15
	19	809-865-125	BOLT HEX HD. 3/8-16 X 1	15
	20	807-357-060	SET SCREW 5/16-18 X 3/8	15
	21	000-022-580	PIN STOP	15
	22	070-002-732	SPRING	15
	23	070-002-734	BRACKET	15
	24	070-002-583	LINK ASSEMBLY	15
	25	070-002-715	BUSHING	15
	26	806-249-160	SET SCREW SQUARE HEAD	15
	27	835-549-002	JAM NUT 1/4 -20	15
	28	070-002-733	SCREW	15
	29	070-002-584	PIN BELL CRANK	15
	30	809-849-165	SCREW HEX HD. 1/4 -20 X 1	15
	32	000-022-738	1/4 ROD END RH THREAD	15

ASSEMBLY	ITEM #	PART #	DESCRIPTION	PAGE #
TABLE ASSEMBLY – ALUMINUM (CONTINUED)				
	33	000-022-737	1/4 ROD END LH THREAD	15
	34	835-550-002	NUT JAM 1/4 -28	15
	35	835-650-002	NUT JAM 1/4 -28 LH	15
	36	070-002-728	CAM LINK ASSEMBLY	15
	37	070-002-727	LINK AND BEARING ASSEMBLY	15
	38	070-002-781	NEEDLE BEARING	15
	39	070-001-871	SCREW HEX HD CAP	15
	40	070-002-578	LEVER SPOT- ASSEMBLY	15
	41	070-002-816	CAM FOLLOWER W/ GREASE FITTING	15
	42	840-066-002	NUT FLEX 3/8-24 THIN	15
	43	070-002-745	BUSHING	15
	44	070-002-579	FINGER LEVER ASSEMBLY	15
	45	070-002-590	FINGER LINK	15
	46	070-001-804	PIVOT WELDMENT	15
	47	070-001-807	SPRING	15
	48	070-002-592	PIN	15
	49	843-140-002	NUT KEP 1-32	15
	50	913-423-160	ROLL PIN ESNA 1/8 X 1	15
	51	070-002-585	SHAFT	15
	52	070-002-726	SHAFT	15
	53	840-600-002	NUT FLEX 7/8-14	15
	54	809-865-205	HEX HD CAP SCREW 3/8-16 X 1 1/4	15
	55	701-316-041	THRUST BEARING OILITE	15
	56	070-002-594	TIE ROD ASSEMBLY	15
	58	710-501-009	ALEMITE FITTING	15
	59	070-002-596	SPRING-YOKE RETURN (NOT SHOWN)	15
RESPOT CELL ASSEMBLY – ALUMINUM				
	1	090-004-123	FINGER ASS'Y.(FINGER WITH ITEMS 26 AND 27) 090-004-119 FINGER	17
	2	070-002-792	FRAME RESPOT WELD	17
	3	070-007-194	STUD-LONG	17
	4	070-007-195	STUD SHORT	17
	5	070-007-196	BUSHING	17
	6	070-007-192	WASHER	17
	7	070-007-193	SPACER	17
	8	070-007-617	STUD-PIVOT (5/16 DIA. SHAFT)	17
	9	070-002-752	BUMPER EXTRUSION	17
	10	844-049-002	STOVER LOCKNUT 1/4 - 20	17
	11	963-400-002	X-WASHER, #9000-12	17
	12	963-200-002	X-WASHER, #9000-8	17
	13	070-007-619	RESPOT YOKE ASS'Y (WITH ITEMS 14 ,17 ,18,19, 22, AND 23)	17
	13A	070-007-621	RESPOT YOKE ASSEMBLY FOR RESPOT CELL 7 ONLY (WITH ITEMS 19A, 22 AND 23)	17
	14	090-002-124	YOKE, ARM ASS'Y (WITH ITEM 16)	17
	15	070-002-630	BUSHING YOKE	17
	16	933-623-050	RIVET-YOKE	17
	17	070-002-644	PLATE-ASS'Y (WITH ITEM 15)	17
	18	090-004-040	ARM ASS'Y RESPOT YOKE	17
	19	070-007-618	LEVER ASS'Y. (9CELLS) WITH ITEM 20 UNDERSIDE AND 21	17
	19A	070-007-620	LEVER ASS'Y # 7 CELL (WITH ITEM 20 ABOVE AND 21)	17
	20	070-002-653	BUSHING (FLANGE)	17
	21	070-002-645	SHAFT	17
	22	070-002-649	SPRING YOKE AR	17
	23	070-002-750	SCREW	17
	24	070-002-632	STOP SCREW	17
	25	070-002-570	INSERT, ASS'Y	17
	26	070-007-197	INSERT	17
	27	913-437-100	SPRING PIN 3/16 DIA X 5/8 LG.	17
	28	808-640-141	SCREW, SOC. HD. CAP # 10 - 32 X 7/8/ LG.	17
	29	808-640-121	SCREW, SOC. HD. CAP # 10 - 32 X 3/4/ LG.	17
	30	070-002-652	BUSHING SLEEVE	17
	31	008-100-413	ADHESIVE (E C 1300)	17
	32	070-007-200	RESPOT CELL ASS'Y (FOR CELLS 1 THRU 6 AND 8 THRU 10)	17
	33	070-006-674	RESPOT CELL ASS'Y (FOR # 7 CELL ONLY)	17

ASSEMBLY	ITEM #	PART #	DESCRIPTION	PAGE #
TABLE TORQUE TUBE ASSEMBLY – ALUMINUM				
	1	090-004-008	TABLE TORQUE TUBE WELDMENT	19
	2	809-881-640	HEX HD. CAP SCREW, 5/8 - 11 X 4 LG.	19
	3	070-007-752	SPACER	19
	4	070-007-302	SPACER	19
	5	963-400-002	X-WASHER # 9000 - 12	19
	6	945-867-242	PLAIN WASHER, 1.50 O.D. X .406 I.D. X 0.5 THK.	19
	7	000-022-782	SPRING	19
	8	070-001-668	SPRING ROLLER	19
	9	070-007-295	TABLE SUPPORT WELDMENT, R.H.	19
	10	710-501-009	GREASE FITTING, ALEMITE # 3006	19
	11	844-081-002	STOVER LOCK NUT 5/8/-11	19
	12	919-000-700	RETAINER RING, # 5000-156	19
	13	070-002-698	SPHERICAL BUSHING	19
	14	809-865-245	HEX HD. CAP SCREW 3/8 - 16 X 1 - 1/2 LG.	19
	15	090-004-007	PILLOW BRACKET	19
	16	840-065-002	FLEX LOC NUT, 3/8 - 16	19
	17	090-005-015	TORQUE TUBE BEARING	19
	18	000-026-042	MICROSWITCH	19
	19	070-001-852	TABLE ARM OVER TRAVEL LEVER	19
	20	818-227-202	SEMS ROUND HD. SCREW 6 - 32 X 1 - 1/4 LG.	19
	21	843-127-002	KEPS HEX LOCK NUT 6 - 32	19
	22	070-001-853	SPRING	19
	23	070-001-854	ADJUSTING SCREW	19
	24	835-549-002	FLEX LOC NUT, 1/4 - 20	19
	25	070-001-591	PIN	19
	26	809-869-245	HEX HD. CAP SCREW, 7/16 - 14 X 1 - 1/2 LG.	19
	27	949-100-002	PLAIN WASHER, 922 O.D. X 468 I.D. X .06 THK	19
	28	844-069-002	STOVER LOCK NUT 7/16 - 14	19
	29	070-007-296	TABLE SUPPORT WELDMENT L.H.	19
	30	809-869-325	HEX HD. CAP SCR, 7/16 - 14 X 2 - 1/2/LG.	19
	31	070-001-852	TABLE ARM OVER-TRAVEL LEVER ASSEMBLY (INCLUDED ITEMS 5 & 18 THRU 25)	19
	32	000-022-782	COUNTER BALANCE SPRING	19
	NOT SHOWN			
		612-070-012	COUNTER BALANCE SPRING EYE REPAIR KIT	
		610-707-713	C-90 TORQUE TUBE KIT	
		610-707-713	TORQUE TUBE KIT	
TABLE AND BRACKET ASSEMBLY – STEEL				
	1	090-005-505	FRONT BRACKET WELDMENT	
	2	090-005-613	ROD ASSEMBLY, LONG	21
	3	844-057-002	NUT, STOVER LOCK, 5/16 - 18	21
	4	090-005-637	PIVOT SUPPORT BRACKET	21
	5	808-557-140	SCREW, BUTTON HEAD CAP, 5/16 - 18 X 7/8	21
	6	835-549-002	NUT, HEX JAM, 1/4 - 20	21
	7	808-549-200	SCREW, BUTTON HEAD CAP, 1/4 - 20 X 1-1/4	21
	8	808-557-120	SCREW, BUTTON HEAD CAP, 5/16 - 18 X 3/4	21
	9	090-005-651	SPOT TIE ROD	21
	10	090-005-615	ROD ASSEMBLY, SHORT	21
	11	090-005-251	RESPOT TIE ROD	21
	12	809-849-165	SCREW, HEX, 1/4 - 20 X 1	21
	13	844-069-002	NUT, STOVER LOCK, 7/16 - 14	21
	14	809-869-285	SCREW, HEX, 7/16 - 14 X 1-1/2	21
	15	808-549-120	SCREW, BUTTON HEAD CAP, 1/4 - 20 X 3/4	21
	16	090-005-656	REAR BRACKET SHIM	21
	17	844-049-002	NUT, STOVER LOCK, 1/4 - 20	21
	18	090-005-536	MOUNTING BRACKET	21
TABLE AND RESPOT CELLS – STEEL (CONTINUED)				
	1	090-005-540	RESPOT CELL ASSY (PINS 7 THROUGH 10)	23
	2	090-005-504	RESPOT PIVOT	23
	3	963-400-002	X-WASHER	23
	4	090-005-503	LINK CONNECTOR PIVOT	23
	5	809-149-100	SCREW, BUTTON HEAD CAP, 1/4 - 20 X 5/8	23
	6	090-005-544	RESPOT CELL ASSY (PINS 1 THROUGH 6)	23
	7	090-005-502	TABLE	23

ASSEMBLY	ITEM #	PART #	DESCRIPTION	PAGE #
TABLE AND RESPOT CELLS – STEEL (CONTINUED)				
	8	844-049-002	NUT, STOVER LOCK, 1/4 - 20	23
	9	855-349-010	WELL NUT, 1/4 - 20 X 1	23
	10	801-149-247	CARRIAGE BOLT, 1/4 - 20 X 1-1/2	23
	11	801-149-100	CARRIAGE BOLT, 1/4 - 20 X 5/8	23
TIE ROD BRACKET ASSEMBLY – STEEL				
	1	844-065-002	NUT, STOVER LOCK, 3/8 - 16	25
	2	070-002-725	CAM LINK	25
	3	090-005-520	SPACER	25
	4	070-002-724	SHIFTER LINK	25
	4A	070-002-727	SHIFTER LINK & BEARING ASSY (INCL. 4 & 6)	25
	5	809-865-325	SCREW, HEX, 3/8 - 16 X 2	25
	6	070-002-781	NEEDLE BEARING	25
	7	807-249-060	SETSCREW, 1/4 - 20 X 3/8	25
	8	090-005-526	TIE ROD BRACKET	25
	9	843-140-002	NUT, HEX LOCK, 10 - 32	25
	10	070-002-590	FINGER LINK	25
	11	090-005-629	PIN	25
	12	070-001-807	RESPOT LEVER SPRING	25
	13	090-005-631	PIVOT WELDMENT	25
	14	070-002-745	FLANGED BEARING, .6265 X .814 X 1/2	25
	15	000-021-423	SHAFT COLLAR	25
	16	070-002-589	FINGER LEVER	25
	16A	070-002-579	FINGER LEVER ASSY (INCLUDES 14 & 16)	25
	17	913-423-120	SPRING PIN	25
	18	090-005-533	SPACER	25
	19	840-066-002	NUT, FLEX LOCK, THIN, 3/8 - 24	25
	20	090-005-532	SPACER	25
	21	070-002-599	SPOT LEVER	25
	21A	070-002-578	SPOT LEVER ASSEMBLY (INCL. 14 & 21)	25
	22	948-983-212	WASHER, FLAT, 21/32 X 1-5/16	25
	23	070-002-816	CAM FOLLOWER	25
	24	090-005-655	SHAFT	25
	25	951-164-002	WASHER, SPLIT LOCK, 3/8	25
	26	809-865-125	SCREW, HEX, 3/8 - 16 X _	25
	27	948-767-132	WASHER, FLAT, 13/32 X 13/16 X 1/16	25
	28	090-005-521	SHAFT, SHORT SIDE	25
TABLE TO CROSSBEAM – STEEL (CONTINUED)				
	1	838-369-002	NUT, CENTER PUNCH LOCK, 7/16 - 14	27
	2	839-665-002	NUT, STOVER LOCK, 3/8 - 16	27
	3	090-002-028	SPRING ROLLER PIN	27
	4	090-005-662	COUNTERBALANCE SPRING, SMALL	27
	5	090-005-646	SIDE BRACE, L.H.	27
	6	090-003-795	COUNTERBALANCE SPRING ROLLER	27
	7	000-022-782	COUNTERBALANCE SPRING	27
	8	963-400-002	X-WASHER, 3/16	27
	9	945-867-242	WASHER, FLAT, .406 X 1-1/2 X .05	27
	10	809-869-365	SCREW, HEX, 7/16 - 14 X 2.25	27
	11	090-004-007	TUBE HANGER BRACKET	27
	12	090-005-015	BEARING TORQUE TUBE	27
	13	809-869-520	SCREW, HEX, 7/16 - 14 X 3.25	27
	14	809-865-245	SCREW, HEX, 3/8 - 16 X 1-1/2	27
	15	090-005-645	TORQUE TUBE WELDMENT	27
	16	090-005-597	LEVELING SPACER	27
	17	090-005-253	TIE ROD ASSEMBLY	27
	18	090-005-647	SIDE BRACE, R.H.	27
	19	090-005-514	TABLE SUPPORT WELDMENT, R.H.	27
	20	948-983-212	WASHER, 21/32 X 1-5/16	27
	21	070-006-048	BOLT, SPECIAL	27
	22	090-005-654	SLEEVE, UPRIGHT	27
	23	900-114-101	SLEEVE BEARING .877 X 1.128 X 5/8	27
	24	710-501-009	GREASE FITTING	27
	25	070-007-752	SPACER	27
	26	809-869-325	SCREW, HEX, 7/16 - 14 X 2	27
	27	070-007-303	LEVELING ROD SPACER	27
	28	844-081-002	NUT, STOVER LOCK, 5/8 - 11	27

ASSEMBLY	ITEM #	PART #	DESCRIPTION	PAGE #
TABLE TO CROSSBEAM – STEEL (CONTINUED)				
	29	949-100-002	WASHER, 59/64 X 15/32 X 1/16	27
	30	090-005-509	TABLE SUPPORT WELDMENT, L.H.	27
	31	835-549-002	NUT, HEX JAM, 1/4 - 20	27
	32	947-271-967	WASHER, FLAT, 7/16	27
	33	801-369-161	CARRIAGE BOLT, 7/16 - 14 X 1	27
	34	879-849-487	EYEBOLT, 1/4 - 20 X 3	27

TABLE WIREWAY ASSEMBLY – ALUMINUM & STEEL

	1	070-007-623	LEVER RESPOT ASS'Y (LEVER, WITH ITEM 2)	29
	1A	070-002-678	LEVER RESPOT ASS'Y (LEVER, WITH ITEMS 2 & 3)	29
	2	070-002-653	BUSHING FLANGED RESPOT LEVER	29
	3	070-002-652	BUSHING SLEEVE (USED IN ITEM 1A)	29
	4	963-200-002	X-WASHER, #9000-8	29
	5	844-049-002	STOVER NUT 1/4 - 20	29
	6	070-002-671	LINK RESPOT CONN.	29
	7	090-002-767	LINK 7 PIN	29
	8	090-002-768	LINK 8 PIN	29
	9	090-002-769	LINK 9 PIN	29
	10	090-002-770	LINK 10 PIN	29
	11	070-002-766	LINK - WIREWAY	29
	12	070-002-774	PIN	29
	13	070-002-771	PLATE	29
	14	070-002-772	PIN	29
	15	070-006-308	GROMMET, 2" LONG SECTION	29
	16	070-002-773	GROMMET	29
	17	770-008-009	POLY SPIRAP 5"	29
	18	070-002-538	BRACKET	29
	19	000-025-556	LOCKING SPRING CATCH	29
	20	813-949-082	HEX HD. SCREW, 1/4 - 20 X 1/2 LG.	29
	21	843-821-000	4-40 HEX BRASS NUT	29
	22	070-002-814	LINK ASSEMBLY	29
	22A	090-002-020	LINK BODY	29
	23	730-036-025	CLIP (SILVER)	29
	23A	730-035-025	CLIP (BROWN)	29
	24	730-023-015	SHELL-CUP ASS'Y	29
	25	730-020-012	ROD-CLIP ASS'Y	29
	26	730-027-019	STUD	29
	27	070-002-815	SPACER, BUSHING	29
	28	724-507-002	TINNERMAN NUT	29
	29	070-005-602	CABLE	29
	30	000-028-442	GUIDE PIN	29
	31	000-028-441	GUIDE SOCKET	29
	32	000-025-079	BLOCK-MALE 14 PIN	29
	33	760-011-197	PIN-WIRE TERMINAL	29

82-90 XL MACHINES

ELIMINATED WIRING IN TABLE ON MACHINES PRODUCED AFTER 1/1/95. TABLE LINK PART NUMBERS FOR THIS CHANGE ARE AS FOLLOW:

	7A	090-002-767	LINK	29
	8A	090-002-768	LINK	29
	9A	090-002-769	LINK	29
	10A	090-002-770	LINK	29
	11A	090-002-766	LINK	29

YOKE AND SPOTTING CUP ASSEMBLY – STEEL & ALUMINUM TABLES (CONTINUED)

	1	070-002-719	SPRING SLEEVE	31
	2	070-002-688	SPRING, R.H. WOUND, L.H. SIDE	31
	3	844-049-002	NUT, STOVER LOCK, 1/4 - 20	31
	4	090-004-033	CLAMP	31
	5	809-849-165	SCREW, HEX, 1/4 - 20 X 1	31
	6	090-005-548	REAR LEG ASSEMBLY	31
	7	070-002-609	PIN	31
	8	913-437-240	SPRING PIN, 3/16 X 1-1/2	31
	9	070-002-689	SPRING, L.H. WOUND, R.H. SIDE	31
	10	900-114-161	BEARING, 7/8 X 1-1/8 X 1	31

ASSEMBLY	ITEM #	PART #	DESCRIPTION	PAGE #
YOKE AND SPOTTING CUP ASSEMBLY – STEEL & ALUMINUM TABLES (CONTINUED)				
	11	090-005-577	SPRING HOOK	31
	12	000-025-549	LOCK COLLAR WITH SETSCREW	31
	13	090-005-578	SHAFT #4	31
	14	070-002-617	SHAFT #3	31
	15	070-002-809	SPOTTING CUP	31
	16	070-002-616	SHAFT #2	31
	17	090-005-553	SHAFT #1	31
	18	090-005-545	FRONT LEG ASSEMBLY	31
	19	809-865-365	SCREW, HEX, 3/8 - 16 X 1-1/2	31
	20	090-005-554	ARM ACTUATOR	31
	21	839-665-002	NUT, FLEX LOCK, 3/8 - 16	31
	22	070-002-683	YOKE	31
	23	809-865-245	SCREW, HEX, 3/8 - 16 X 1-1/2	31
	24	070-002-602	INNER LEVER	31
	25	900-205-053	FLANGED BEARING, .315 X .44 X 5/16	31
	26	701-310-036	THRUST BEARING	31
	27	070-002-723	PIN	31
	28	070-002-611	LINK	31
	28A	070-002-612	LINK ASSEMBLY (INCLUDES: 25 & 28)	31
	29	190-001-490	BALL BEARING, .875 X 1.875 X .5	31
	30	070-002-603	OUTER LEVER	31
	31	070-002-784	SPOTTING CUP LINER	31
	32	907-000-600	KEY	31
	33	070-002-787	U-BOLT	31
	34	070-002-788	CAP	31
	35	948-761-112	WASHER, FLAT, 11/32 X 1-1/16 X 1/16	31
	36	844-057-002	NUT, STOVER LOCK, 5/16 - 18	31
	37	070-002-620	SPACER	31
	38	810-249-200	SCREW, SOCKET HEAD CAP, 1/4 - 20 X1-1/4	31
	39	000-026-032	SPRING	31
RESPOT CELLS 1-6 ASSEMBLY				
	1	070-002-750	SCREW, FLAT HEAD	32
	2	070-002-695	YOKE PLATE	32
	3	070-002-630	FLANGED BEARING, .252 X .315 X .218	32
	4	070-002-645	LEVER ASSEMBLY SHAFT	32
	5	070-002-651	RESPOT LEVER	32
	6	844-049-002	NUT, STOVER LOCK, 1/4 - 20	32
	7	090-004-113	RESPOT YOKE ARM	32
	8	807-650-050	SETSCREW, 1/4 - 28 X 5/16	32
	9	090-004-118	RESPOT YOKE	32
	10	808-549-080	SCREW, BUTTON HEAD CAP, 1/4 - 20 X 1/2	32
	11	070-007-192	WASHER	32
	12	070-007-193	RESPOT CELL SPACER	32
	13	090-005-640	STUD, LONG	32
	14	090-004-119	RESPOT FINGER	32
	15	090-005-617	FINGER INSERT	32
	16	090-005-632	FINGER PIVOT WING	32
	17	809-149-100	SCREW, BUTTON HD W/PATCH, 1/4 - 20 X 5/8	32
	18	090-005-522	RESPOT FINGER BUSHING	32
	19	070-007-195	STUD, SHORT	32
	20	730-027-019	STUD, BALL HEAD	32
	21	070-002-653	FLANGED BEARING, .252 X .315 X .38	32
RESPOT CELLS 7-10 ASSEMBLY (CONTINUED)				
	1	070-002-750	SCREW, FLAT HEAD	33
	2	070-002-651	RESPOT LEVER	33
	3	070-002-630	FLANGED BEARING, .252 X .315 X .218	33
	4	070-002-645	LEVER ASSEMBLY SHAFT	33
	5	090-004-113	RESPOT YOKE ARM	33
	6	807-650-050	SETSCREW, 1/4 - 28 X 5/16	33
	7	808-549-080	SCREW, BUTTON HEAD CAP, 1/4 - 20 X 1/2	33
	8	070-007-192	WASHER	33
	9	070-007-193	RESPOT CELL SPACER	33
	10	090-005-640	STUD, LONG	33
	11	090-004-119	RESPOT FINGER	33
	12	090-005-617	FINGER INSERT	33

ASSEMBLY	ITEM #	PART #	DESCRIPTION	PAGE #
RESPOT CELLS 7-10 ASSEMBLY (CONTINUED)				
	13	090-005-632	FINGER PIVOT WING	33
	14	809-149-100	SCREW, BUTTON HD W/PATCH, 1/ 4 - 20 X 5/8	33
	15	090-005-522	RESPOT FINGER BUSHING	33
	16	070-007-195	STUD, SHORT	33
	17	090-004-118	RESPOT YOKE	33
	18	844-049-002	NUT, STOVER LOCK, 1/4 - 20	33
	19	963-200-002	X-WASHER	33
	20	070-002-653	FLANGED BEARING, .252 X .315 X .38	33
	21	090-005-571	PIN, 8-9-10 LINKS	33
	22	070-002-695	YOKE PLATE	33
TIE ROD ASSEMBLIES				
	1	070-006-481	SPOT & RESPOT LINK ASSEMBLY	34
	2	844-069-002	STOVER LOCK NUT, 7/16 - 14	34
	3	000-025-004	END FITTING, R.H.	34
	3A	090-005-264	END FITTING, R.H.	34
	4	809-869-365	HEX HD. CAP SCREW 7/16 - 14 X 2- 1/4 LG.	34
	5	710-501-013	GREASE FITTING, ALEMITE # 3019	34
	6	835-570-002	HEX JAM NUT, 7/16 - 20 R.H.	34
	7	070-001-601	TIE ROD ASSY RESPOT	34
	7A	090-005-251	TIE ROD ASSY RESPOT	34
	8	070-001-606	RESPOT THE ROD	34
	9	835-670-002	HEX JAM NUT 7/16 - 20, L.H.	34
	10	090-005-265	END FITTING L.H.	34
	11	809-869-245	HEX HD. CAP SCREW 7/16 - 14 X 1- 1/2 LG.	34
	12	809-869-285	HEX HD. CAP SCREW 7/16 - 14 X 1 - 3/4/ LG.	34
	13	090-005-252	TIE ROD ASSEMBLY SPOT	34
	14	070-001-602	TIE ROD ASSEMBLY SPOT	34
	15	070-002-578	SPOT LEVER ASSEMBLY	34
	16	070-002-727	SWIFTER LINK ASSEMBLY	34
	17	070-002-728	CAM LINK ASSEMBLY	34
	18	070-002-595	RESPOT LINK ASSEMBLY	34
	19	090-003-655	SOLENOID OPERATED SHUTTLE ASSEMBLY	34
	20	070-006-350	BRACKET ASSEMBLY FOR BIN	34
	21	809-865-245	HEX HD. CAP SCREW, 3/8 - 16 X 1-1/2 LG	34
	22	844-065-002	FLEX LOC NUT, 3/8 - 16	34
	23	090-004-001	CROSSBEAM WELDMENT	34
	24	844-069-0002	STOVER LOCK NUT 7/16 - 14	34
	25	949-100-002	PLAIN WASHER, 15/32 I.D. X 59/64 O.D. X 1/16 THK	34
	26	710-501-013	GREASE FITTING, ALEMITE # 3019	34
	27	809-869-405	HEX HD. CAP SCREW R.H. 7/16 - 14 X 2 - 1/2/LG	34
	28	000-025-004	END FITTING R.H.	34
	29	835-570-002	HEX JAM NUT, 7/16 - 20 R.H.	34
	30	070-001-557	TABLE TIE ROD	34
	31	070-001-558	TIE ROD ASSEMBLY	34
	32	835-670-002	HEX JAM NUT, 7/16 - 20 L.H.	34
	33	000-025-005	END FITTING L.H.	34
	34	070-007-303	SPACER, 7/16 I.D.	34
	35	070-007-295	TABLE SUPPORT WELDMENT R.H.	34
	35A	070-007-296	TABLE SUPPORT WELDMENT L.H. (NOT SHOWN)	34
	36	809-869-325	HEX HD. CAP SCREW, 7/16 - 14X2 LG	34
SHUTTLE ASSEMBLY (CONTINUED)				
	1	070-006-261	END CLAMP	35
	2	070-006-253	CROSS TUBE, LONG	35
	3	070-006-266	BIN SPRING STRAP	35
	4	809-849-285	SCREW	35
	5	070-006-447	SPRING, SHUTTLE ASSEMBLY	35
	6	070-006-254	SIDE TUBE, SHORT	35
	7	070-006-256	OUTSIDE TUBE	35
	8	070-006-255	SIDE TUBE, LONG	35
	9	070-006-257	TUBE, CENTER	35
	10	070-006-258	CROSS TUBE, SHORT	35
	11	070-006-259	SHUTTLE ARM BRACKET	35
	12	844-049-002	NUT	35
	13	809-849-245	SCREW, SOC BT HD	35
	14	070-006-268	STRAP	35

ASSEMBLY	ITEM #	PART #	DESCRIPTION	PAGE #
SHUTTLE ASSEMBLY (CONTINUED)				
	15	070-006-265	PIN HOLDER	35
BIN ASSEMBLY (CONTINUED)				
	1	070-006-351	ROD	37
	2	090-005-250	ROD END WITH 710-502-010 LUBE FITTING	37
	3	835-566-002	HEX JAM NUT, 3/8 - 24	37
	4	844-065-002	HEX LOCK NUT, 3/8 - 16	37
	5	809-965-165	HEX HD. CAP SCREW, 3/8 - 16 X1 LG	37
	6	809-849-085	HEX HD. CAP SCREW, 1/4 - 20X 1/2 LG	37
	7	844-049-002	HEX STOVER LOC NUT, 1/4 -20	37
	8	070-006-370	PIN GUIDE L.H.	37
	9	070-006-364	SPACER-PIN BUTT GUIDE	37
	10	070-006-354	SHOCK MOUNT (ENCAPSULATED INSERTS	37
	11	070-006-353	PIN GUIDE L.H.	37
	12	070-006-359	PIN HEAD BRACKET	37
	13	000-021-992	BUMPER	37
	14	070-006-371	SUPPORT BRACKET	37
	15	070-006-360	CHANNEL WELDMENT	37
	16	809-849-125	HEX HD. CAP SCREW, 1/4 - 20 X 3/4 LG.	37
	17	948-753-102	FLAT WASHER, 5/8 O.D.X 9/32 I.D. X .062 THK.	37
	18	070-006-377	STRINGER OUTSIDE L.H. (6)	37
	19	070-006-372	STRINGER CENTER R.H. & L.H. (3 + 5)	37
	20	070-006-373	STRINGER CENER R.H. & L.H. (2 + 4)	37
	21	070-006-376	STRINGER OUTSIDE R.H. (1)	37
	22	070-006-389	GUIDE NO. 1 PIN	37
	23	070-006-381	PIN GUIDE NO. 6 PIN	37
	24	070-006-380	PIN GUIDE NO. 4 PIN	37
	25	809-849-285	HEX HD, CAP SCREW 1/4 - 20 X 1 3/4 LG	37
	26	070-006-403	STUD CLAMP	37
	27	831-565-002	HEX NUT SUD. 3/8 - 16	37
	28	070-006-429	SHUTTLE OPERATING ARM ASS'Y	37
	29	000-029-614	HEIM - UNIBAL	37
	30	710-501-007	GREASE FITTING, ALEMITE (1792-B)	37
	31	070-006-363	SHORT CHANNEL	37
	32	701-329-050	WASHER- THRUST OILITE (TT 1503)	37
	33	070-006-358	BRACKET ASS'Y, - BIN ASS'Y	37
	34	900-114-101	BEARING - SLEEVE	37
	35	809-849-485	HEX HD. CAP SCREW, 1/4 - 20 X 3 LG.	37
	36	070-006-408	LEVER BIN ASSEMBLY	37
	37	907-000-600	HI-PRO KEY (HP 706)	37
	38	070-006-402	SHAFT	37
	39	070-006-386	TRACK ASSEMBLY, L.H.	37
	40	000-026-251	BEARING (ROLLER) (THREADED FOR FIELD USE ONLY)	37
	41	813-540-082	SCREW,PHILLIPS TRUSS HEAD, 10 - 32 X 1/2 LG	37
	42	957-100-002	WASHER SHAKE PROOF EXT. # 10	37
	43	070-006-388	TRACK ASSEMBLY R.H.	37
	44	808-549-080	BUTTON SOC. HD. CAP SCREW, 1/4 - 20 X 1/2 LG.	37
	45	711-516-020	GROMMET - ATLANTIC # 2861	37
	46	000-026-043	SWITCH	37
	47	000-021-575	INSULATOR	37
	48	818-227-162	SCREW - SEMS ROUND HEAD, 6 - 32 X 1 LG.	37
	49	843-127-002	KEP NUT, 6 -32	37
	50	948-631-062	FLAT WASHER, 3/8 O.D. X 5/32 I.D. X .046 THK.	37
	51	070-006-142	BUMPER	37
	52	809-849-605	HEX HD, CAP SCREW, 1/4 - 20 X 3 - 3/4 LG	37
	53	900-206-091	FLANGE BEARING	37
	54	070-006-356	SWITCH ACTUATOR	37
	55	000-022-168	SPRING	37
	56	070-006-108	SPACER	37
	57	744-203-014	NYLOCLIP BRUNDY HP6N	37
	58	818-233-082	SCREW- SEMS RD. HD. 8 - 32 X 1/2 LG.	37
	59	843-133-002	KEP NUT, 8 - 32	37
	60	070-006-366	SPACER PIN HEAD GUIDE	37
	61	070-006-390	SPACER	37
	62	809-849-165	HX, HD CAP SCREW, 1/4 - 20 X 1 LG	37
	63	840-049-002	FLEX LOC NUT, 1/4 - 20	37
	64	746-001-016	CONNECTOR, STRAIGHT	37

ASSEMBLY	ITEM #	PART #	DESCRIPTION	PAGE #
BIN ASSEMBLY (CONTINUED)				
	65	070-006-365	SPACER PIN GUIDE (4 & 6)	37
	66	070-006-384	BRACKET WELDMENT PIN HEAD	37
SWEEP ARM ASSEMBLY				
	1	070-007-278	TUBE WELDMENT	39
	1A	090-006-145	SWEEP LINK SLIDE ASSY (INCL. 1, 2, 3, 4, 5, & 11)	39
	2	070-007-283	BUMPER	39
	3	949-100-002	WASHER, 59/64 X 15/32	39
	4	070-007-276	ROD	39
	5	090-005-257	ROD END	39
	6	809-869-245	BOLT, 7/16-14 X 1.5	39
	7	844-065-002	NUT, STOVER LOCK, 3/8 - 16	39
	8	090-006-128	SWEEP LINK BRACKET	39
	9	838-369-002	NUT, STOVER LOCK, 7/16 - 14	39
	10	090-006-138	ROD END, 7/16 - 20 X .5	39
	11	809-865-445	SCREW, HEX, 3/8 - 16 X 2.75	39
	12	948-767-132	WASHER, 13/32 X 13/16 X 1/16	39
	13	000-023-104	FLANGED BEARING, 1.25 X 1.5 X .953	39
	14	090-006-137	BUMPER	39
	15	919-005-600	RETAINING RING	39
	16	070-006-121	WASHER	39
	17	070-003-239	SWEEP LINK	39
	17A	090-006-139	STABLIZER LINK ASSY (INCL. 13, 17 & 18)	39
	18	000-023-114	FLANGED BEARING, .628 X .81 X .06	39
	19	090-006-133	MIDDLE LINK, STEEL	39
	20	809-857-365	SCREW, HEX, 5/16 - 18 X 2 1/4	39
	21	090-006-125	LOWER STEEL SWEEP SPACER	39
	22	070-003-157	DRIVE LINK CASTING	39
	22A	090-006-140	DRIVE LINK ASSY (INCL. 13, 18, 22, 23 & 35)	39
	23	839-665-002	NUT, FLEX LOCK, 3/8 - 16	39
	24	090-006-134	DRIVE LINK PIN	39
	25	070-003-233	MAIN PIVOT SPACER, SHORT	39
	26	839-057-002	NUT, HEX LOCK NYLON, 5/16 - 18	39
	27	809-869-405	BOLT, HEX, 7/16 - 14 X 2-1/2	39
	28	090-006-132	STEEL SWEEP LINK, UPPER & LOWER	39
	29	070-011-819	SHIM, TABLE & SWEEP	39
	30	070-003-232	MAIN PIVOT SPACER, LONG	39
	31	070-003-106	MAIN PIVOT SHAFT	39
	32	090-006-135	DRIVE LINK BUSHING/SPACER	39
	33	090-005-254	DRIVE LINK CONNECTING ROD	39
	34	070-003-117	DRIVE LINK SPACER	39
	35	070-003-221	SCREW, SWEEP LINK ASSEMBLY	39
	36	809-869-365	SCREW, HEX, 7/16 - 14 X 2-1/4	39
	37	090-006-126	PIN, STEEL SWEEP LINKAGE	39
	38	090-006-136	SHOCK MOUNT	39
	39	090-006-131	SWEEP SHOCK MOUNT PLATE	39
	40	844-057-002	NUT, STOVER LOCK, 5/16 - 18	39
	41	090-006-127	STEEL SWEEP LINK SLEEVE	39
	42	809-869-325	BOLT, HEX, 7/16 - 14 X 2	39
	43	090-004-010	SWEEP ROCKER ARM	39
	44	090-005-015	TORQUE TUBE BEARING	39
	45	090-004-007	TORQUE TUBE HANGER	39
	46	809-865-285	SCREW, HEX, 3/8 - 16 X 1 X 3/4	39
	47	070-003-243	SCREW, HEX, 1/2 - 13 X 2 1/2	39
	48	090-005-255	CONNECTING ROD ASSEMBLY	39
	49	844-073-002	NUT, STOVER LOCK, 1/2 - 13	39
SWEEP BAR MOUNTING ASSEMBLY (CONTINUED)				
	1	300-000-182	SWEEP BAR AND CAP ASSEMBLY	41
	2	948-722-111	WASHER - BLACK OXIDE, 11/16 O.D. X 11/32 I.D. X 1/16 THK	41
	3	808-557-140	SCREW, SOC. BUTT HD. 5/16 - 18 X 7/8 LG	41
	4	090-001-171	BRACKET-SWEEP MOUNTING L.H.	41
	5	809-857-245	SCREW,-HEX HD. CAP, 5/16 - 18 X 1 - 1/2 LG (GR-8)	41
	6	844-057-002	NUT STOVER LOCK 5/16 - 18	41
	7	830-057-002	NUT- ACORN 5/16 - 18 (PLATED)	41
	8	090-001-170	BRACKET-SWEEP MOUNTING R.H.	41
	9	000-023-182	SLIDE BAR	41

ASSEMBLY	ITEM #	PART #	DESCRIPTION	PAGE #
SWEEP BAR MOUNTING ASSEMBLY (CONTINUED)				
	10	948-761-112	WASHER, 11/16 O.D. X 11/32 I.D. X 1/16 THK.	41
	11	300-000-116	INSERT SWEEP "LOGO"	41
	12	300-000-175	CAP- SWEEP BAR	41
	13	938-637-100	RIVET-POP 3/16 DIAMETER, ALUMINUM	41
	14	749-537-068	WASHER-BACKUP 3/6 POP RIVET	41
		NOT SHOWN		
		610-700-155	SWEEP ASSEMBLY - CONTAINS COMPLETE KIT FOR TWO LANES	
DISTRIBUTOR DRIVE SHAFT ASSEMBLY FOR 82/70 AND EARLY 82/90				
	1	070-006-101	SHAFT R.H. MACHINE	42
	2	000-022-369	SHAFT L.H. MACHINE	42
	3	000-026-461	BALL BEARING	42
	4	000-029-073	WASHER	42
	4A	722-501-070	SPACER	42
	5	000-024-892	BALL BEARING RETAINER	42
	5A	090-002-034	RETAINER	42
	6	000-022-717	PIN	42
	6A	908-048-480	PIN	42
	7	913-423-120	ROLL PIN, ESNA, 125 DIA. X 3/4 LG	42
	8	913-437-160	ROLL PIN, ENSA, 187 DIA. X 1 LG.	42
	9	070-008-004	UNIVERSAL JOINT, PLASTIC	42
	9A	070-007-586	UNIVERSAL JOINT, METAL	42
	10	070-006-102	DIST. DRIVE SHAFT ASSEMBLY, R.H.	42
	11	000-024-893	DIST. DRIVE SHAFT ASSEMBLY, L.H.	42
	12	090-006-102	DIST. DRIVE SHAFT ASSEMBLY, R.H.	42
	13	090-006-103	DIST. DRIVE SHAFT ASSEMBLY, L.H.	42
	14	090-002-018	DRIVE SHAFT, R.H.	42
	15	090-002-017	DRIVE SHAFT, L.H.	42
DISTRIBUTOR DRIVE SHAFT ASSEMBLY LATER 82/90				
	1	090-002-018	SHAFT, R.H. MACHINE	43
	1A	090-006-102	DISTRIBUTOR DRIVE SHAFT ASSY – R.H. (INCLUDES ITEMS 1 & 3 THROUGH 10)	43
	2	090-002-017	SHAFT L.H. MACHINE	43
	2A	090-006-103	DISTRIBUTOR DRIVE SHAFT ASSY – L.H. (INCLUDES ITEMS 2 THROUGH 10)	43
	3	070-007-586	UNIVERSAL JOINT	43
	4	913-437-160	SPRING PIN, .187 X 1 LG.	43
	5	913-423-120	SPRING PIN, .125 X 3/4 LG.	43
	6	908-048-480	DOWEL PIN, 1/4 X 3.0	43
	7	090-002-034	BALL BEARING RETAINER	43
	8	722-501-070	SPACER	43
	9	000-029-073	WASHER	43
	10	090-002-019	BALL BEARING	43
DISTRIBUTOR DRIVE SHAFT ASSEMBLY LATER 82/90				
	1	090-002-034	BALL BEARING RETAINER	43
	2	000-029-073	WASHER	43
	3	913-423-120	PIN-SPRING .125 X 3/4	43
	4	913-437-160	PIN-SPRING .187 X 1	43
	5	722-501-070	SPACER	43
	6	090-002-018	DRIVE SHAFT, RH	43
	7	090-002-019	BALL	43
	8	908-048-480	1/4 X 3 DOWEL PIN	43
	9	070-007-586	U JOINT - STEEL	43
DISTRIBUTOR ASSEMBLY – SHEET 1 (CONTINUED)				
	1	070-006-051	ARM	45
	2	000-022-173	NUT, SPECIAL	45
	3	070-007-119	DRIVE ARM ASSEMBLY (LATERAL)	45
	4	007-006-052	DRIVE ARM	45
	5	070-006-111	SPRING POST SLEEVE	45
	6	070-006-049	SHAFT ARM	45
	7	844-073-002BG	NUT LOCK, STOVER 1/2 - 13 (10 PER BAG)	45
	8	090-005-262	ROD LINK ASSEMBLY	45
	9	090-005-267	ROD END, FEMALE	45

ASSEMBLY	ITEM #	PART #	DESCRIPTION	PAGE #
DISTRIBUTOR ASSEMBLY – SHEET 1 (CONTINUED)				
	10	070-006-067	ROD, SAFETY LINK	45
	11	070-006-068	SPRING SUPPORT	45
	12	831-566-002	NUT HEX 3/8 - 24	45
	13	070-006-069	NUT, SPECIAL	45
	14	070-006-071	CAM FOLLOWER	45
	15	844-050-002	NUT, LOCK STOVER 1/4 - 28	45
	16	070-006-034	SPRING, LINEAR	45
	17	808-849-100	SCREW, SOFL. 1/4 - 20 X 5/8 LG.	45
	18	070-006-053	MAIN CASTING & BEARING ASSEMBLY	45
	19	070-006-076	NEEDLE BEARING, OPEN END	45
	20	070-006-075	NEEDLE BEARING CLOSED END	45
	21	070-006-074	NEEDLE THRUST BEARING	45
	22	070-006-073	THRUST WASHER	45
	23	919-004-200BG	RING, TRU-ARC (INTERNAL) (10 PER BAG)	45
	24	070-006-064	SPACER BEARING	45
	25	000-024-679	BEARING	45
	26	919-000-600BG	RING-TRU-ARC (INTERNAL) (10 PER BAG)	45
	27	070-006-666	PULLEY, DRIVE	45
	28	070-006-077	SHAFT ARM	45
	29	914-037-206BG	SPIRAL PIN (187 - 1250L -B -R) (10 PER BAG)	45
	30	810-239-240	SCREW, SOC. HD. CAP. 10 - 24 X 1 - 1/2 LG. (10 PER BAG)	45
	31	840-039-002BG	NUT, FLEXLOC 10 - 24 (10 PER BAG)	45
	32	948-745-082BG	WASHER, 7 / 32 I.D.X 1/2 O.D. X 3 / 64 THK (10 PER BAG)	45
	33	919-005-600BG	RING TRU - ARC (EXTERNAL) (10 PER BAG)	45
	34	070-006-082	PIN, SPRING POST	45
	35	000-026-081	SPRING POST SLEEVE	45
	36	919-005-300BG	RING TRU-ARC (EXTERNAL) (10 PER BAG)	45
	37	070-006-065	CLAMP RACE	45
	38	070-006-048	BOLT, SPECIAL	45
	39	070-007-376BG	WASHER, THRUST (10 PER BAG)	45
	40	070-006-676	SLEEVE	45
	41	070-006-061	SHAFT, CAM SUPPORT	45
	42	070-006-678	BUSHING, PINION	45
	43	610-704-005	PINION & GEAR SLEEVE ASSEMBLY	45
	44	610-704-006	KIT, CLUTCH PLATE ASSEMBLY	45
	45	070-006-126	FRICION DISC	45
	46	070-006-130	CLUTCH PLATE, DRIVE	45
	47	070-006-125	WORM	45
	48	070-006-128	SPRING ASSEMBLY	45
	49	070-006-121BG	WASHER (10 PER BAG)	45
	50	835-582-002	NUT 5/8 - 18, SPECIAL	45
	51	913-437-140BG	ROLL PIN (ESNA) 3/16 DIA. X 7/8 LG. (10 PER BAG)	45
	52	070-006-149	CAM INDEX	45
	53	090-006-668	TRIP STOP ROD & SUPPORT CASTING ASSEMBLY WITH ROLL PIN CONNECTION	45
	54	090-006-663	TRIP STOP ROD ASSEMBLY	45
	55	070-006-665	TRIP SUPPORT CASTING ASSEMBLY	45
	56	913-415-090BG	ROLL PIN,(.94 O.D. X 9/16 LG.)AC3 (10 PER BAG)	45
	57	809-849-125	SCREW, HEX HD CAP 1/4 - 20 X 3/4 LG.	45
	58	844-049-002BG	LOCK NUT, STOVER 1/4 - 20 (10 PER BAG)	45
	59	070-006-691	STOP BLADE	45
	59A	070-006-083	STOP BLADE (USED WITH OLD CLUTCH PLATE ASSEMBLY - 070-006-062 ONLY)	45
	60	070-006-084	TRIP STOP SUPPORT BRKT.	45
	61	000-026-865BG	WASHER (10 PER BAG)	45
	62	070-006-685	PIVOT - (19/32 LG.)	45
	63	070-007-651BG	WASHER, NYLON (10 PER BAG)	45
	64	070-006-142BG	BUMPER (10 PER BAG)	45
	65	809-849-205	SCREW, HEX HD. CAP 1/4 - 20 X 1 - 1/4 LG.	45
	66	701-712-097BG	BEARING PRESSED (10 PER BAG)	45
	67	948-753-102BG	WASHER, 5/8 O.D. X 9/32 I.D. X .65 THK. (10 PER BAG)	45
	68	090-003-079	ORIENTOR PAN ASSEMBLY	45
	69	948-975-172	WASHER, 1 - 1/16 O.D. X 17/32 I.D. X 3/32 THK	45
	134	809-857-080BG	SCREW, HEX HEAD CAP, 5/16 - 18 X 1/2/ LG. AC3 (10 PER BAG)	45
	135	948-761-112BG	WASHER, PLAIN, 11/16 O.D. X 11/32 I.D. X 1/16 THK. (10 PER BAG)	45

ASSEMBLY	ITEM #	PART #	DESCRIPTION	PAGE #
DISTRIBUTOR ASSEMBLY – SHEET 2 (CONTINUED)				
	5	070-006-111	SPRING POST SLEEVE	47
	57	809-849-125	SCREW, HEX HD. CAP 1/4 - 20 X 3/4 LG.	47
	64	070-006-142BG	BUMPER (10 PER BAG)	47
	66	844-049-002BG	LOCKNUT, STOVER 1/4 - 20 (10 PER BAG)	47
	70A	070-006-757	BLACK ROUGH TOP BELT	47
	70B	610-709-811	ROLL OF BLACK BELT	47
	70C	070-006-152	WHITE NITRILE BELT	47
	70D	610-709-812	ROLL OF WHITE BELT (3)	47
	71	070-006-036	BELT LACING	47
	72	070-006-037	BELT PIN	47
	73	070-006-683	TUBE MIDDLE- ASSEMBLY (7-7/64"LG.	47
	74	070-009-067	BEARING	47
	75	070-006-661	TRIP ROCKER ARM WELDMENT	47
	76	070-001-857	ROLLER	47
	77	919-005-000BG	RETAINING RING (10 PER BAG)	47
	78	070-011-170	TRIP CABLE ASSEMBLY	47
	79	070-011-171	CABLE	47
	80	070-006-009	BELT RUNNER SUPPORT ASSEMBLY	47
	81	810-239-160BG	SCREW, SOC.HD. CAP. 10 - 24 X 1 LG. (10 PER BAG)	47
	82	840-039-002BG	NUT, FLEXLOC 21 FK, 10-24 (10 PER BAG)	47
	83	070-006-011	PULLEY ASSEMBLY	47
	84	000-024-679	BEARING	47
	85	070-006-015	TRIP ARM ASSEMBLY R.H.	47
	86	070-006-688	CARRIAGE SUPPORT, CASTING ASSEMBLY	47
	87	070-006-116	CLAMP STUD	47
	88	834-549-002	NUT, HEX (REG.) 1/4 - 20	47
	89	070-006-021	TUBE ASSEMBLY - FRONT	47
	91	070-006-016	TRIP ARM ASSEMBLY L.H.	47
	92	070-011-172	BALL JOINT ASSEMBLY (7/16")	47
	93	070-004-176	BEARING (SEE ITEMS 136, 137, AND 138 FOR REPLACEMENT)	47
	94	070-006-014	SHAFT	47
	95	907-000-100	KEY, HI-PRO # 403	47
	96	070-006-659	SHAFT	47
	97	807-249-160BG	SET SCREW, SOC HD. CUP PT., 1/4 - 20 X 1 (10 PER BAG)	47
	98	000-022-173	NUT SPECIAL	47
	99	070-006-029	CONNECTING LINK	47
	100	070-006-672	CARRIAGE, REAR	47
	101	070-006-004	TUBE	47
	102	070-006-035	SPRING	47
	103	070-006-019	COLLAR	47
	104	919-006-800BG	RING, RETAINING (10 PER BAG)	47
	105	070-011-173	BALL JOINT ASSEMBLY	47
	106	070-006-013	PIN GUIDE	47
	107	806-249-060BG	SET SCREW, SQ. HEAD CUP PT. 1/4- 20 X 3/8 LG. (10 PER BAG)	47
	108	070-006-055	CARRIAGE-FRONT	47
	109	070-006-137	BELT GUARD	47
	110	913-437-140BG	PIN (ESNA) 3/16 O.D. X 7/8 LG. (10 PER BAG)	47
	111	835-550-002BG	NUT, HEX, JAM - 1/2 - 28 (10 PER BAG)	47
	112	840-039-002	NUT, FLEXLOC THIN # 10 - 32	47
	113	701-710-098	SPYRALIGN - PRESS BEARING	47
	114	070-006-106	TRACKING BRACKET	47
	115	070-006-109	LINK	47
	116	070-006-107	TUBE	47
	117	809-849-605	SCREW HEX HEAD CAP. 1/4 - 20 X 3 - 3/4 LG.	47
	118	070-006-120	CARRIAGE SUPPORT TUBE	47
	119	913-464-280BG	ROLL PIN (ESNA) 3/8 X 1 - 3/4 LG. (10 PER BAG)	47
	120	070-006-105	TUBE ASSEMBLY	47
	121	070-006-108	SPACER	47
	122	070-006-118	BEARING, GROOVED - EXCENTRIC	47
	123	809-849-165BG	SCREW, HEX HEAD CAP, 1/4 - 20 X 1 LG. (10 PER BAG)	47
	124	701-849-124	BEARING THREADED BORE CONCENTRIC	47
	125	070-006-117	BEARING GROOVED - CONCENTRIC	47
	126	000-026-031	SPRING, BELT TIGHTENER	47
	127	070-006-042	BELT RUNNER, GEAR	47
	128	070-006-103	SUPPORT GUIDE L.H.	47
	129	070-006-104	SUPPORT GUIDE R.H.	47
	130	070-006-139	SPACER, INNER	47

ASSEMBLY	ITEM #	PART #	DESCRIPTION	PAGE #
DISTRIBUTOR ASSEMBLY – SHEET 2 (CONTINUED)				
	131	070-006-140	SPACER, OUTER	47
	132	809-849-885BG	SCREW, HEX HD. CAP 1/4 - 20 X 5 - 1/2 LG. (10 PER BAG)	47
	133	808-549-200BG	SCREW SOC. HEAD BUTTON, 1/4 - 20 X 1-1/4 LG. (10 PER BAG)	47
	136	813-540-082	SCREW PHIL. HEAD TRUSS 10-32 X 1/2 LG. (USE W/ ITEM 138)	47
	137	957-100-002	WASHER, STAR #1110-00 (USE W/IT 138)	47
	138	000-026-251	BEARING, FIELD RPL. FOR ITEM 138	47
	139	000-024-598	ADJUSTABLE PIN FEED PULLEY	47
POSITIVE BALL LIFT (PBL)				
	1	000-021-813	SUPPORT, WIPER	49
	2	000-021-814	RING, WIPER CLOTH	49
	3	000-024-610	STUD, CLAMP (3/8 DIAMETER)	49
	4	000-024-673	SPRING	49
	5	000-026-031	SPRING	49
	6	000-029-629	DOWN SWEEP WELDMENT	49
	7	000-029-910	SHIM	49
	8	090-004-520	V BELT, CARPET DRIVE (113.75/2890.1)	49
	9	070-004-654	BRACKET, DOWN TRACK	49
	10	090-004-126	KICKBACK ASSEMBLY, R.H.- FOR R.H. MACHINE	49
	11	090-004-129	KICKBACK ASSEMBLY, L.H.- FOR L.H. MACHINE	49
	12	610-700-122	LIGHT BALL SENSOR ASSEMBLY	49
	13	070-002-034	ROLLER ASSEMBLY (REAR)	49
	14	090-004-203	SHEAVE, CARPET DRIVE	49
	15	070-004-669	WIPER CLOTH	49
	16	070-004-670	DUST TRAP	49
	17	090-004-513	TIE PLATE ASSEMBLY (COMPLETE) - NOT SHOWN	49
	18	070-011-034	EXTENSION ROD	49
	19	070-011-035	STRAP	49
	20	070-011-052	BALL LIFE ASSEMBLY	49
	21	070-011-064	V BELT RATCHET DRIVE (GATES # 1450 45°/1143MM)	49
	22	090-002-016	SPRING EXTENSION	49
	23	009-002-015	BELT TENSIONER ASSEMBLY	49
	24	070-011-147	V BELT (GATES # 1380 38°/965.2MM)	49
	25	070-011-148	V BELT (GATES #1400 40°/1016 MM)	49
	26	070-011-178	CRANK ASSEMBLY, RUDDER DRIVE	49
	27	070-011-414	TRACK RAIL ASSEMBLY	49
	28	700-107-146	LOCTITE- NOT SHOWN	49
	29	806-265-160BG	SCREW SQ. HD. SET, 3/8 - 16 X 1 LG (10 PER BAG)	49
	30	807-265-060	SCREW SOC. HEAD SET, 3/8 - 16 X 3/8 LG.	49
	31	809-857-165BG	SCREW HEX HEAD CAP, 5/16 - 18 X 1 LG. (10 PER BAG)	49
	32	844-057-002BG	NUT HEX 5/16 - 18 (10 PER BAG)	49
	33	948-761-112BG	WASHER, 11/32 I.D. X 11/16 O.D.X1/16 THK. (10 PER BAG)	49
	34	809-865-285	SCREW, HEX HEAD CAP, 3/8 - 16 X 1 - 3/4 LG.	49
	35	844-065-002BG	NUT, HEX STOVER 3/8/ - 16 (10 PER BAG)	49
	36	948-767-132BG	WASHER , 13/32 I.D. X 13/16 O.D. X 1/16 THK. (10 PER BAG)	49
	37	070-011-810	BELT TIGHTENER PACHAGE	49
	38	070-011-310	SUPPORT B.E. MOTOR GUARD	49
	39	090-004-420	B.E. MOTOR GUARD ASSEMBLY	49
	40	070-011-401	BALL LIFT GUARD (NOT SHOWN)	49
	41	070-004-642	STOP BRACKET	49
	42	000-024-641	STOP BUMPER	49
PBL LIGHT SENSOR ASSEMBLY (CONTINUED)				
	1	000-022-869BG	FLAT WASHER (10 PER BAG)	51
	2	000-024-615	SHAFT RUDDER	51
	3	000-024-616	CLAMP STUD	51
	4	070-011-319	RUDDER ARM SUPPORT	51
	5	000-026-031	SPRING	51
	6	000-027-264	WASHER-SPACER	51
	7	000-029-611BG	WASHER - UNIBALL BEARING (10 PER BAG)	51
	8	070-006-728	CAM FOLLOWER	51
	9	070-011-040BG	ROLLER (10 PER BAG)	51
	10	070-011-066	RUDDER ARM SUPPORT ASSEMBLY	51
	11	070-011-067	RUDDER ARM SUPPORT	51
	12	900-212-201BG	FLANGE BEARING (5 PER BAG)	51
	13	070-011-068	LINK WELDMENT	51
	14	070-011-626	TRIP ARM ASSEMBLY	51

ASSEMBLY	ITEM #	PART #	DESCRIPTION	PAGE #
PBL LIGHT SENSOR ASSEMBLY (CONTINUED)				
	15	070-011-077	TRIP FINGER	51
	16	070-011-080	RUDDER DRIVE ASSEMBLY	51
	17	070-011-079	RUDDER DRIVE WELDMENT	51
	18	900-208-091BG	FLANGE BEARING (5 PER BAG)	51
	19	070-011-418	CAM WELDMENT	51
	20	070-011-098	SLEEVE	51
	21	070-011-099	CAM	51
	22	070-011-105	ROLLER ASSEMBLY	51
	23	070-011-096	ROLLER	51
	24	900-205-081	FLANGE BEARING	51
	25	070-011-107	TRIP ARM	51
	26	070-011-108	WASHER	51
	27	070-011-110	CAM SENSOR ASSEMBLY	51
	28	070-011-100	CAM SENSOR WELDMENT	51
	29	070-011-407	RUDDER CAM ASSEMBLY L.H.	51
	30	070-011-405	RUDDER CAM WELDMENT L/H/	51
	31	913-488-120BG	ROLL PIN, 1/4 O.D. X 3/4 LG. (10 PER BAG)	51
	32	070-011-406	RUDDER CAM ASSEMBLY R.D.	51
	33	070-011-404	RUDDER CAM WELDMENT R.H.	51
	34	070-011-121	PLUG	51
	35	070-011-122	RUDDER ARM	51
	36	090-005-258	ROD ASSEMBLY	51
	37	090-005-250	ROD END	51
	39	070-011-124	ROD	51
	40	835-566-002	HEX JAM NUT 3/8 - 24	51
	41	070-011-146	PADDLE	51
	42	070-011-147	V-BELT (GATES #1380 - 38"965.2 MM)	51
	43	070-011-151	SPACER RUDDER DRIVE	51
	44	070-011-179	RUDDER DRIVE CRANK ASSEMBLY	51
	45	000-021-423	COLLAR (WITH SET SCREW)	51
	46	807-357-040BG	SOC. SET SCREW KN. CUP PT.5/16 - 18 X 1/4 LG. (10 PER BAG)	51
	47	000-029-611BG	WASHER-UNIBALL BRG. EFFT.TO 1 - 78 (10 PER BAG)	51
	48	000-029-696	TUBE ADJUSTMENT ASSEMBLY	51
	49	000-021-427	FLANGE BEARING	51
	50	000-029-697	TUBE	51
	51	070-011-092	CRANK SHAFT WELDMENT	51
	52	070-011-225	CRANK ASJUSTMENT PLATE WELD EFFT. JAN '78	51
	52A	070-011-377	CRANK AADJ. PLATE WELD AFFT. JAN '78	51
	53	070-011-097	CRANK PULLEY	51
	54	844-057-002BG	NUT STOVER 5/16 - 18 (10 PER BAG)	51
	55	948-761-112BG	WASHER, 11/16 O.D. X 11/32 I.D. X 1/16 THK. (10 PER BAG)	51
	56	070-011-273	TAB	51
	57	722-971-522	SPRING	51
	58	722-985-512	SPRING	51
	59	802-865-996BG	BOLT, HEX HD. 3/8 - 16 X 9 - 1/2 LG. (10 PER BAG)	51
	60	809-857-165BG	SCREW, HEX HD. 5/16 - 18 X 1 LG. (10 PER BAG)	51
	61	809-857-880BG	SCREW HEX HD. 5/16 - 18 X 5 -1/2 (10 PER BAG)	51
	62	809-865-165BG	SCREW HEX HD.3/8 - 16 X 1 LG. (10 PER BAG)	51
	63	809-865-205BG	SCREW HEX HD. 3/8 - 16 X 1/4 LG. (10 PER BAG)	51
	64	809-865-405BG	SCREW HEX HD. 3/8 - 16 X 2-1/2 LG. (10 PER BAG)	51
	65	831-573-002BG	NUT, HEX 1/2/-13 (10 PER BAG)	51
	66	844-065-002BG	NUT, HEX SFLEXLOC 3/8 - 16 (10 PER BAG)	51
	67	840-065-002BG	NUT, HEX THIN FLEXLOCK 3/8 - 16 (10 PER BAG)	51
	68	844-070-002BG	NUT, HEX STOVER 7/16 - 20 (10 PER BAG)	51
	69	907-000-900BG	KEY HI-PRO # 910 (10 PER BAG)	51
	70	919-005-200BG	RETAINING RING 5100 - 31 (10 PER BAG)	51
	71	838-866-002BG	NUT HEX ESNA 3/8 - 24 (10 PER BAG)	51
	72	919-005-500BG	RETAINING RING 5100 - 50 (10 PER BAG)	51
	73	948-767-132BG	WASHER PLAIN,13/16 O.D. X 13/32 I.D. X 1/16 THK. (10 PER BAG)	51
	74	949-100-002BG	WASHER PLAIN. 59/64 O.D. X 13/32 I.D.X 1/16THK. (10 PER BAG)	51
	75	070-011-299	BRACE SENSOR	51
	76	809-849-145BG	SCREW HEX HEAD 1/4 - 20 X 7/8 LG. (10 PER BAG)	51
	77	844-049-002BG	NUT HEX STOVER 1/4 - 20 (10 PER BAG)	51

PBL POSITIVE BALL LIFT ASSEMBLY (CONTINUED)

	1	070-011-323	SHOCK ABSORBER ASSEMBLY	53
	2	000-027-996	CUSHION	53

ASSEMBLY	ITEM #	PART #	DESCRIPTION	PAGE #
PBL POSITIVE BALL LIFT ASSEMBLY (CONTINUED)				
	3	000-027-998	RETAINER	53
	4	000-028-057	RETAINER	53
	5	000-029-660	SHAFT	53
	6	000-029-661	SHOCK ABSORBER ASSEMBLY	53
	7	070-011-289	BRACKET	53
	8	831-566-002BG	NUT 3/8 - 24 (10 PER BAG)	53
	9	919-005-600BG	RETAINING RING # 5100-62 (10 PER BAG)	53
	10	948-983-212BG	WASHER, PLAIN, 1-5/16 O.D. X 21/32 I.D. X .093 THK. (10 PER BAG)	53
	11	000-024-603	SPRING	53
	12	090-002-450	BELT-V-GUIDE	53
	13	000-024-605	RETAINER-LOWER	53
	14	000-024-608	RETAINER-UPPER	53
	15	000-024-648	PIN PIVOT	53
	16	000-024-650	ROLLER ASSEMBLY	53
	17	000-024-647	ROLLER	53
	18	900-206-081BG	FLANGE BEARING (5 PER BAG)	53
	19	000-024-651	LINK ASSEMBLY-LOWER	53
	20	000-024-653	LINK	53
	21	900-110-121BG	BEARING-SLEEVE (5 PER BAG)	53
	22	900-112-161BG	BEARING-SLEEVE (5 PER BAG)	53
	23	070-001-995	YOKE-UPPER	53
	24	000-024-661	BELT - PULLEY	53
	25	000-024-720	LINK ASSEMBLY - UPPER	53
	26	000-024-716	SPRING HOLDER	53
	27	900-112-203BG	BEARING - SLEEVE (5 PER BAG)	53
	28	000-028-737	PIVOT SHAFT	53
	29	000-029-613	RAIL	53
	30	070-006-320	SHAFT ASS'Y ADJ. 9 - 1/2" TO 11" SPACING	53
	31	070-006-325	SHAFT ASS'Y FIXED, 9 - 1/2" TO 11" SPACING	53
	32*	070-006-328	SHAFT ASS'Y. FIXED, 11" TO 12 - 5/8" SPACING	53
	33*	070-006-329	SHAFT ASS'Y ADJ. 11" TO 12 - 5/8" SPACING	53
	34*	070-006-330	SHAFT ASS'Y FIXED, 12 - 5/8" TO 14" SPACING	53
	35*	070-006-333	SHAFT ASS'Y ADJ. 12 - 5/8" TO 14" SPACING	53
	36	070-011-797	BALL BEARING ("D" SHAFT)	53
	36A	070-006-699	BALL BEARING	53
	37	070-011-795	SHAFT- UPPER ("D" STYLE)	53
	37A	070-006-747	SHAFT-UPPER	53
	38	070-006-748	SPACER	53
	39	070-011-004	TUBE AND SUPPORT ASSEMBLY	53
	40	000-024-606	SUPPORT ASSEMBLY - UPPER	53
	41	000-024-607	TUBE	53
	42	070-011-002	SUPPORT LOWER	53
	43	809-849-365BG	SCREW HEX HD. CAP 1/4 - 20 X 2 1/4 LG. (10 PER BAG)	53
	44	070-011-042	BELT TIGHTENER ASSEMBLY	53
	45	000-021-408	IDLER PULLEY ASSEMBLY	53
	46	000-022-071	IDLER PULLEY	53
	47	900-208-161BG	BEARING - FLANGED (5 PER BAG)	53
	48	070-007-192BG	WASHER (10 PER BAG)	53
	49	070-088-217	SHORT SPACER	53
	50	070-008-218	LONG SPACER	53
	51	070-011-040	ROLLER	53
	52	070-011-041	BELT TIGHTENER WELDMENT ASSEMBLY	53
	53	070-008-215	BELT TIGHTENER WELDMENT	53
	54	900-212-161BG	BEARING FLANGE (5 PER BAG)	53
	55	146-005-277	COUNTERSUNK WASHER	53
	56	808-849-565BG	SCREW FL. SOC HD. 1/4 - 20 X 3 - 1/2 LG. (10 PER BAG)	53
	57	839-549-002BG	NUT, FLEXLOC, 1/4 - 20. 21FA420 (10 PER BAG)	53
	58	919-005-200BG	TRUARC RING #5100-35 (10 PER BAG)	53
	59	070-011-047	YOKE ASSEMBLY LOWER	53
	60	000-024-659	YOKE LOWER	53
	61	070-011-796	SHAFT LOWER ("D" SHAFT)	53
	61A	070-006-746	SHAFT LOWER	53
	62	070-006-401	CLUTCH RACE	53
	63**	000-024-811	PULLEY ASSEMBLY B.L. ROLLER CLUTCH	53
	64**	070-007-291	CLUTCH AND BEARING ASSEMBLY	53
	65**	000-024-812	PULLEY ASSEMBLY B.L.ROLLER CLUTCH	53
	66	700-107-170	LOCTITE # 601	53

ASSEMBLY	ITEM #	PART #	DESCRIPTION	PAGE #
PBL POSITIVE BALL LIFT ASSEMBLY (CONTINUED)				
	67	007-008-210	SHEAVE-PADDLE DRIVE	53
	68	070-008-211	SHEAVE-FIRST STAGE LIFT	53
	69	700-107-146	ADHESIVE	53
	70	806-265-160BG	SQ. HD. SET SCREW 3/8 - 16 X 1 LG. (10 PER BAG)	53
	71	807-235-080BG	SOC SET SCREW CUP PT. 3/8 - 16 X 1/2 (10 PER BAG)	53
	72	856-070-002BG	FLANGE NUT 7/16-20 (10 PER BAG)	53
	73	710-501-007	LUBRICATOR FITTING #1792B	53
	74	807-265-060BG	SOC. SET SCREW CUP PT. 3/8- 16 X 3/8 LG. (10 PER BAG)	53
	75	809-865-165BG	SCREW HEX HD. 3/8 - 16 X 1 LG. (10 PER BAG)	53
	76	809-865-445BG	SCREW, HEX HD. 3/8 - 16 X 2 - 3/4 LG. (10 PER BAG)	53
	77	839-665-002BG	NUT, FLEXLOC 3/8 - 16 (10 PER BAG)	53
	78	840-057-002BG	NUT, STOVER 5/16 - 18 (10 PER BAG)	53
	79	845-100-000BG	BEARING LOCKNUT (10 PER BAG)	53
	80	919-005-800BG	TRU-ARC RING # 5100-75 (10 PER BAG)	53
	81	948-761-112BG	WASHER, PLAIN, 11/32 I.D. X 11/16 O.D. X 1/16 THK. (10 PER BAG)	53
	82	951-164-002BG	LOCKWASHER, MEDIUM 3/8 (10 PER BAG)	53
	83	839-549-002BG	NUT, FLEXLOC 1/4-20 (10 PER BAG)	53
	84	070-008-212	SPACER (NOT SHOWN)	53
	85	612-070-013	BALL LIFT PRESSURE KIT	53
	86	070-011-052	BALL LIFT ASSEMBLY	53
PBL BELT TIGHTENER ASSEMBLY				
	1	900-112-121BG	BEARING SLEEVE (5 PER BAG)	54
	2	000-021-408	IDLER PULLEY ASSEMBLY	54
	3	000-022-071	IDLER PULLEY	54
	4	900-208-161BG	BEARING, FLANGE (5 PER BAG)	54
	5	948-975-172BG	WASHER PLAIN, 1-1/16 O/D/ X 17/32 I.D X 3/32 THK (10 PER BAG)	54
	6	963-600-002BG	X-WASHER, #9000-16 (10 PER BAG)	54
	7	000-029-603	SHAFT	54
	8	909-005-800BG	RETAINING RING (10 PER BAG)	54
	9	070-011-524	BELT TIGHTENER, L.H.	54
	10	070-011-523	BELT TIGHTENER, R.H.	54
	11	070-011-525	IDLER SHEAVE ASSEMBLY (STL.)	54
	12	070-011-526	IDLER SHEAVE	54
	13	701-316-041	THRUST BEARING	54
		070-011-810*	TENSIONER ASSEMBLY	
PBL BELT TENSIONER ASSEMBLY				
	1	000-021-423	COLLAR	55
	2	807-357-040BG	SOC.SET SCREW KNURLED CUP PT. 5/16 - 18 X 1/4 LG. (10 PER BAG)	55
	3	000-026-031	SPRING	55
	4	000-029-605	SHAFT	55
	5	000-029-606	SHAFT	55
	6	000-029-659	HANGER ARM ASSEMBLY	55
	7	000-029-625	HANGER ARM	55
	8	900-110-081BG	BEARING-SLEEVE (5 PER BAG)	55
	9	070-011-531	SPRING EXTENSION	55
	10	070-011-528	SPRING CLIP	55
	11	070-011-131	PULLEY-WELDMENT	55
	12	070-011-133	SHAFT	55
	13	070-011-148	V-BELT (GATES # 1400 40"/1016 MM)	55
	14	701-320-045	THRUST WASHER	55
	15	807-257-606BG	SET SCREW - SOCKET CUP PT. 5/16 - 18 X 3/8 LG. (10 PER BAG)	55
	16	900-210-101BG	FLANGE BEARING (5 PER BAG)	55
	17	919-005-600BG	TRU-ARC RING, # 5100 - 62 (10 PER BAG)	55
PBL RATCHET DRIVE ASSEMBLY (CONTINUED)				
	1	000-026-865BG	WASHER (10 PER BAG)	57
	2	070-011-217	RATCHET ARM WELDMENT	57
	3	070-011-027	SHAFT-RATCHET ASSEMBLY	57
	4	070-011-028BG	WASHER (10 PER BAG)	57
	5	070-011-029	NUT-RATCHET	57
	6	070-011-030BG	ROLLER (10 PER BAG)	57
	7	070-011-031BG	SPACE-ROLLER (10 PER BAG)	57
	8	070-011-032	SPRING-RATCHET ASSEMBLY	57
	9	070-011-033	PULLEY-RATCHET	57
	10	070-011-036BG	BEARING AND HOUSING ASSEMBLY (10 PER BAG)	57

ASSEMBLY	ITEM #	PART #	DESCRIPTION	PAGE #
PBL RATCHET DRIVE ASSEMBLY (CONTINUED)				
	11	070-011-009	HOUSING	57
	12	900-212-161BG	BEARING-FLANGE (5 PER BAG)	57
	13	070-011-037	CRANK ASSEMBLY	57
	14	000-024-679	BEARING	57
	15	007-006-142	BUMPER	57
	16	070-011-013	CRANK WELDMENT	57
	17	919-000-600	TRU-ARC RING 5000 - 137	57
	18	070-011-040	ROLLER - RATCHET ARM	57
	19	070-011-064	BELT (GATES # 1450 45".1143 MM	57
	20	808-865-140BG	FLAT HEAD SOC. CAP SCREW, 3/8 - 16 X 7/8 LG. (10 PER BAG)	57
	21	809-849-205BG	HEX HEAD CAP SCREW,1/4 - 20 X 1 - 1/4 LG. (10 PER BAG)	57
	22	809-965-125BG	HEX HD. CAP SCREW, 3/8 - 16 X 3/4 LG. (10 PER BAG)	57
	23	839-549-002BG	FLEXLOC NUT 1/4 - 20 (10 PER BAG)	57
	24	838-066-002BG	NUT HEX ESNA THN 3/8 - 24 (10 PER BAG)	57
	25	919-005-200BG	TRU-ARC RING #5100-31 (10 PER BAG)	57
	26	919-005-800BG	TRU-ARC RING # 5100-75 (10 PER BAG)	57
	27	948-767-132BG	FLAT WASHER, 13/32 I.D. X 13/16 O.D. X 1/6 THK. (10 PER BAG)	57
	28	948-964-142BG	FLAT WASHER, 375 I.D. X 875 O.D. X 094 THK. (10 PER BAG)	57
	29	907-000-200BG	KEY, HI-PRO # HP404 (10 PER BAG)	57
	30	070-008-212	SPACER	57
	31	844-057-002BG	NUT HEX STOVER 5/16 - 18 (10 PER BAG)	57
	32	948-767-132BG	PLAIN WASHER, 13/32 I.D. X 13/16 O.D. X 1/16 THK. (10 PER BAG)	57
PBL TRACK RAIL ASSEMBLY				
	1	000-021-813	SUPPORT WIPER	58
	2	070-011-279	TRACK ASSEMBLY	58
	3	000-024-663	TRACK COVER UPPER	58
	4	070-011-440	TRACK COVER LOWER	58
	5	000-024-666	TRACK RAIL WELDMENT	58
	6	000-024-668	TRACK SUPPORT ASSEMBLY	58
	7	090-005-259	ROD ASSEMBLY	58
	8	000-026-446	ROD END WITH LUBE FITTING	58
	9	710-502-010	LUBRICATOR FITTING	58
	10	070-011-048	ROD	58
	11	835-566-002	HEX JAM NUT	58
	12	070-011-018	BALL GUIDE	58
	13	070-011-218	LEVER ARM WELD.	58
	15	090-002-024	LINER	58
	16	070-008-191	BRACKET	58
	17	070-011-412	LIFT ARM ASSEMBLY	58
	18	070-011-411	LIFT ARM WELDMENT	58
	19	900-210-161BG	FLANGE BEARING (5 PER BAG)	58
	20	070-011-063	SHAFT	58
	21	809-865-992BG	SCREW, HEX HD. CAP 3/8 - 16 X 9 LG. (10 PER BAG)	58
	22	844-065-002BG	NUT STOVER 3/8 - 16 (10 PER BAG)	58
	23	808-857-280BG	SCREW FLAT SOC. HEAD, 5/16 - 18 X 1 3/4 LG. (10 PER BAG)	58
	24	809-865-165BG	SCREW, HEX HD. 3/8 - 16 X 1 LG. (10 PER BAG)	58
	25	810-265-400BG	SCREW, SOC. HD. CAP, 3/8 - 16 X 2 - 1/2 LG. (10 PER BAG)	58
	25A	810-365-401BG	SCREW SOC. HEAD CAP LONG LOC, 3/8 - 16 X 2 - 1/2 LG (10 PER BAG)	58
	26	844-057-002BG	NUT, STOVER 5/16 - 18 (10 PER BAG)	58
	27	948-767-132BG	WASHER, PLAIN, 13/32 I.D. X 13/16 O.D. X 1/16 THK. (10 PER BAG)	58
	28	958-584-002	SHAKEPROOF WASHER	58
	29	951-164-002BG	LOCKWASHER SPRING 3/8 MEDIUM (10 PER BAG)	58
	30	838-866-002BG	ESNA HEX NUT 3/8 - 24 (10 PER BAG)	58
	31	070-011-414	PBL TRACK RAIL ASSEMBLY	58
GUARDS AND SAFETY LABELS ASSEMBLY (CONTINUED)				
	1	090-004-028	WARNING LABEL	59
	2	090-004-708	FRONT END BOX COVER GUARD	59
	3	090-004-709	FRONT END COVER GUARD	59
	4	070-004-691	REAR BRACKET	59
	5	070-010-238	FRONT BRACKET	59
	6	070-005-585	END MACHINE SIDE GUARD	59
	7	070-011-211	DANGER DECAL	59
	8	090-004-420	BACK END SCREEN GUARD	59
	9	090-007-145	PIN ELEVATOR WHEEL GUARD ASSEMBLY (BLACK)	59
	10	090-004-707	BACK END MOTOR CHASSIS MOUNTING BRACKET COVER GUARD	59

ASSEMBLY	ITEM #	PART #	DESCRIPTION	PAGE #
GUARDS AND SAFETY LABELS ASSEMBLY (CONTINUED)				
	11	070-005-614	WARNING DECAL	59
	12	070-011-401	BALL LIFT GUARD WELDMENT	59
	13	090-005-118	HAND RAIL	59
	14	090-005-135	WING GUARD	59
KICKBACK PLATE ASSEMBLY BALL EXIT SIDE				
	1	009-004-126	KICKBACK WELDMENT, R.H. SIDE R.H. MACHINE	61
	2	090-004-129	KICKBACK WELDMENT L.H. SIDE, L.H.MACHINE (NOT SHOWN)	61
	3	948-761-112BG	FLAT WASHER, 68 O.D. X 34 I.D. X .06 THK. (10 PER BAG)	61
	4	809-857-125BG	HEX HD. CAP, SCREW, 5/16 - 18 X 3/4 LG. (10 PER BAG)	61
	5	844-049-002BG	STOVER LOCKNUT, 1/4 - 20 (10 PER BAG)	61
	6	844-057-002BG	STOVER LOCK NUT, 5/16 - 18 (10 PER BAG)	61
	7	070-011-006	DOOR WELDMENT R.H.	61
	7A	070-011-642	URETHANE DOOR RING R/H/	61
	8	070-011-005	DOOR WELDMENT - L.H.	61
	8A	070-011-641	URETHANE DOOR RING L.H.	61
	9	000-024-668	TRACK SUPPORT BRKT. WELDMENT	61
	10	844-074-002BG	STOVER LOCKNUT, 1/2 - 20 (10 PER BAG)	61
	11	941-072-200BG	FLAT WASHER, 1.025 O.D. X 5 I.D. X 8 THK. (10 PER BAG)	61
	12	000-029-015	PIVOT STUD	61
	13	000-027-641	THRUST BEARING	61
	14	000-022-924	SUPPORT	61
	15	000-029-672	BEARING ASS"Y BRACKET - R.H.	61
	15A	000-022-249	BEARING ASS"Y BRACKET - L.H. (NOT SHOWN)	61
	16	900-112-203BG	PLAIN SLEEVE BEARING (5 PER BAG)	61
	17	000-027-642	WASHER-FRONT ROLLER SUPPORT	61
	18	919-005-800BG	RETAINING RING (10 PER BAG)	61
	19	000-021-204	SPRING	61
	20	710-501-009	ALEMITE GREASE FITTING	61
	21	809-865-205BG	HEX HD. CAP SCREW, 3/8 - 16 X 1 - 1/4 LG. (10 PER BAG)	61
	22	808-857-120BG	FLAT HD, SOCKET SCREW, 5/16 - 18 X 3/4 LG. (10 PER BAG)	61
	23	809-865-165BG	HEX HD. CAP SCREW, 3/8 - 16 X 1 (10 PER BAG)	61
	24	090-004-131	PIT SUPPORT WELDMENT	61
	25	839-665-002BG	FLEXLOC NUT, 3/8 - 16 (10 PER BAG)	61
	26	844-057-002BG	STOVER LOCK NUT, 5/16 - 18 (10 PER BAG)	61
	27	000-022-878	ANGLE	61
	28	809-857-125BG	HEX HD.CAP SCREW, 5/16 - 18 X 3/4 LG. (10 PER BAG)	61
	29	810-257-120	SOCKET HD. CAP SCREW, 5/16 - 18 X 3/4 LG.	61
	30	000-022-926	RETAINER	61
	31	090-004-136	SPACER	61
	32	000-024-890	SET SCREW	61
	33	840-065-002BG	FLEXLOC NUT, 3/8 - 16 (10 PER BAG)	61
	34	000-022-788	SUPPORT BOX	61
	35	809-865-645BG	HEX HD. CAP SCREW, 3/8 - 16 X LG. GRADE 8 (10 PER BAG)	61
	36	000-022-300	SHIELD	61
	37A	000-022-794	BLOCK R.H. RUBBER	61
	37B	000-022-795	BLOCK L.H.RUBBER (NOT SHOWN)	61
	37C	000-022-796	URETHANE CUSHION BLOCK W/LIP R.H. (NOT SHOWN)	61
	37D	000-022-797	URETHANE CUSHION BLOCK W/LIP L.H. (NOT SHOWN)	61
	38	937-000-000BG	STEEL DRIVE RIVET (10 PER BAG)	61
	39	808-549-160BG	SOCKET BUTTON HD, SCREW, 1/4 - 20 X 1 LG. (10 PER BAG)	61
	40	070-011-286	BUSHING - CURTAIN ROD	61
	41	000-029-640	PANEL	61
	42	808-857-160BG	FLAT SOCKET HD. CAP SCREW, 5/16 - 18 X 1 LG. (10 PER BAG)	61
	43	008-100-413	LOCTITE ADHESIVE # 404	61
KICKBACK PLATE ASSEMBLY SIDE OPPOSITE BALL EXIT (CONTINUED)				
	1	000-024-509	PIN EJECTOR BRACKET	63
	1A	000-024-510	BRACKET ASSEMBLY, L.H. MACHINE (INCLUDES 1, 39 & 44)	63
	1A1	000-024-511	BRACKET ASSEMBLY, R.H. MACHINE (INCLUDES 1, 39 & 44)	63
	2	000-024-512	PIN EJECTOR SPRING, L.H. MACHINE	63
	2A	000-024-507	PIN EJECTOR ASSEMBLY, L.H. MACHINE (INCLUDES 1, 2, 4, 5, 36, 37, 38, 39, & 44)	63
	3	000-024-513	PIN EJECTOR SPRING, R.H. MACHINE	63
	3A	000-024-508	PIN EJECTOR ASSEMBLY, R.H. MACHINE (INCLUDES 1, 3, 4, 5, 36, 37, 38, 39, & 44)	63
	4	000-029-317	STOP PIN	63

ASSEMBLY	ITEM #	PART #	DESCRIPTION	PAGE #
KICKBACK PLATE ASSEMBLY SIDE OPPOSITE BALL EXIT (CONTINUED)				
	5	963-600-002	X-WASHER, 1/4 9000-16	63
	6	090-004-128	KICKBACK WELDMENT R.H. SIDE, L.H. MACHINE	63
	7	090-004-127	KICKBACK WELDMENT L.H. SIDE, R.H. MACHINE (NOT SHOWN)	63
	8	070-002-027	KICKBACK PANEL	63
	9	937-000-000	DRIVE RIVET (FIELD REPLACEMENT)	63
	10	000-002-794	BLOCK SUPPORT, R.H. SIDE	63
	11	000-022-795	BLOCK SUPPORT, L.H. SIDE	63
	12	000-022-300	SHIELD	63
	13	809-865-645	SCREW, HEX, 3/8 - 16 X 4	63
	14	000-022-788	BOX SUPPORT	63
	15	951-164-002	WASHER, SPLIT LOCK, 3/8	63
	16	809-865-165	SCREW, HEX, 3/8 - 16 X 1	63
	17	839-665-002	NUT, FLEX LOCK, 3/8 - 16	63
	18	000-022-924	SUPPORT BEARING	63
	19	710-501-009	GREASE FITTING	63
	20	900-112-203	SLEEVE BEARING, .753 X 1-1/4	63
	21	000-027-642	WASHER	63
	22	919-005-800	RETAINING RING	63
	23	090-004-131	PIT SUPPORT BRACKET	63
	24	948-767-132	WASHER	63
	25	844-057-002	NUT, STOVER LOCK, 5/16 - 18	63
	26	000-022-878	ANGLE	63
	27	809-857-165	SCREW HEX, 5/16 - 18 X 1	63
	28	000-023-467	FLANGED BEARING, .314 X .434 X .310	63
	29	000-023-432	CLIP, BOTTOM, L.H. MACHINE	63
	30	000-023-431	CLIP, BOTTOM, R.H. MACHINE	63
	31	809-857-125	SCREW, HEX, 5/16 - 18 X 3/4 LG.	63
	32	000-023-465	SUPPORT WELDMENT, L.H. MACHINE	63
	33	000-023-464	SUPPORT WELDMENT, R.H. MACHINE	63
	34	000-026-464	KICKBACK BRACKET	63
	35	709-013-059	SCREWBOLT, HEX, 8 MM X 75 MM	63
	36	000-025-803	ROLLER, PIN EJECTOR ASSEMBLY	63
	37	919-005-400	RETAINING RING	63
	38	000-025-804	SHAFT, PIN EJECTOR ASSEMBLY	63
	39	000-024-515	SLEEVE BEARING, .44 X .56 X 3/4	63
	40	000-028-334	WASHER	63
	41	937-738-003	RIVET, STEEL	63
	42	000-024-890	SETSCREW	63
	43	844-049-002	NUT, STOVER LOCK, 1/4 - 20	63
	44	000-024-516	SLEEVE BEARING, .44 X .56 X 3/8	63
	45	000-023-468	BRACKET	63
	46	809-849-125	HEX HD. CAP SCREW, 1/4 - 20 X 3/4 LG., GRADE 8	63
	47	000-023-821	SIDE CLIP WELDMENT	63
	48	070-002-027	KICKBACK PANEL	63
	49	844-074-002	NUT, STOVER LOCK, 1/2 - 20	63
	50	941-070-200	WASHER, FLAT, 1.25 X .5 X .083	63
	51	000-021-043	BRACKET WELDMENT, L.H. SIDE, R.H. MACHINE (NOT SHOWN)	63
	51A	000-027-645	BEARING ASSY., L.H. SIDE, R.H. MACHINE (NOT SHOWN) (INCLUDES: 18, 19, 20 & 51)	63
	52	000-021-044	BRACKET WELDMENT, R.H. SIDE, L.H. MACHINE	63
	52A	000-027-646	BEARING ASSY., R.H. SIDE, L.H. MACHINE (INCLUDES: 18, 19, 20 & 52)	63
	53	000-021-204	SPRING	63
	54	000-027-641	THRUST BEARING	63
	55	000-029-015	PIVOT STUD	63
PIN ELEVATOR WHEEL ASSEMBLY (CONTINUED)				
	1	826-057-242	SCREW, THREAD FORMING, 5/16 - 18 X 1-1/2	65
	2	090-004-055	WASHER	65
	3	090-007-145	WHEEL GUARD, REVERSIBLE	65
	4	090-007-241	SPACER	65
	5	809-857-445	SCREW, HEX, 5/16 - 18 X 2-3/4	65
	6	090-003-111	UPPER GUARD SUPPORT	65
	7	809-857-405	SCREW, HEX, 5/16 - 18 X 2-1/2	65
	8	090-003-102	HOOP WELDMENT	65
	9	844-065-002	NUT, STOVER LOCK, 3/8 - 16	65
	10	947-367-141	WASHER, 7/8 X 13/32 X 1/8	65
	11	090-007-327	PIN ELEVATOR ROLLER	65

ASSEMBLY	ITEM #	PART #	DESCRIPTION	PAGE #
PIN ELEVATOR WHEEL ASSEMBLY (CONTINUED)				
	12	090-003-116	SPACER	65
	13	950-001-008	WASHER, NYLON, .750 X 1.25 X .08	65
	14	809-865-725	SCREW, HEX, 3/8 - 16 X 4-1/2	65
	15	948-767-132	WASHER, 13/16 X 13/32 X 1/16	65
	16	834-557-002	NUT, HEX, 5/16 - 18	65
	17	000-029-068	RUBBER MOUNTING	65
	18	090-004-117	PIN WHEEL WELDMENT, L.H. MACHINE	65
	19	090-004-116	PIN WHEEL WELDMENT, R.H. MACHINE	65
	20	090-002-065	PIN WHEEL BELT	65
	21	070-001-415	RAIL STOP BRACKET	65
	22	000-021-992	BUMPER	65
	23	070-006-099	RAIL, L.H. MACHINE	65
	24	070-006-098	RAIL, R.H. MACHINE	65
	25	824-757-102	SCREW, WASHER HEAD, 5/16 - 18 X 5/8	65
	26	090-005-120	RAIL STANDOFF BRACKET	65
	27	831-566-002	NUT, HEX, 3/8 - 24	65
	28	070-006-047	SAFETY LINK TUBE	65
	29	000-026-032	DISTRIBUTOR LATERAL DRIVE SPRING	65
	30	809-857-365	SCREW, HEX, 5/16 - 18 X 2-1/4	65
	31	070-006-045	DISTRIBUTOR SUPPORT POST	65
	32	070-006-030	SAFETY LINK SPRING	65
	33	844-057-002	NUT, STOVER LOCK, 5/16 - 18	65
	34	070-008-449	SPACER	65
	35	948-761-112	WASHER, FLAT, 11/16 X 11/32 X 1/16	65
	36	090-003-112	DISTRIBUTOR MOUNT	65
	37	947-356-617	WASHER, FLAT, 11/32 X 5/16	65
	38	880-781-240	SHOULDER BOLT, SOCKET HEAD, 3/4 X 1-1/2	65
	39	090-005-123	NUT PLATE	65
	40	090-005-106	HINGE/SPACER	65
	41	948-809-210	WASHER, FLAT, 1-5/16 X 5/8 X .09	65
	42	951-181-002	WASHER, SPLIT LOCK, 5/8	65
	43	840-381-002	NUT, FLEX LOCK, 5/8-11	65
	44	070-006-044	SPRING POST NUT, 3/8 - 16	65
	45	070-006-043	SPACER	65
	46	090-005-256	ROD END	65
	47	951-156-002	WASHER, SPLIT LOCK, 5/16	65
	48	090-005-144	STATIC BRUSH	65
	49	809-857-325	SCREW, HEX, 5/16-18 X 2	65
	50	090-005-108	PIN WHEEL STRIP	65
	51	938-523-050	POP RIVET, 1/8 X .251 X .31	65
BACK END MOTOR MOUNT BRACKET ASSEMBLY (CONTINUED)				
	1	090-003-509	MOTOR MOUNT WELDMENT ASS'Y	67
	2	090-004-517	BACK END MOTOR DRIP PAN	67
	3	807-358-060	SOCKET SET SCREW, 5/16 - 24 X 3/8 LG.	67
	4	907-201-000	KEY, HI-PRO # HP-606	67
	5	000-023-673	PIN ELEVATOR SHEAVE	67
	5A	000-024-598	ADJUSTABLE SPEED PIN FEED PULLEY	67
	6	000-027-390	DISTRIBUTOR DRIVE HOUSING (ORIGINAL)	67
	6A	090-001-130	DISTRIBUTOR DRIVE HOUSING (WIDE)	67
	7	907-000-300	KEY, HI-PRO # HP-504	67
	8	090-004-501	GEARBOX, R.H. 60 HZ	67
		090-004-502	GEARBOX L.H. 60 HZ	67
		090-004-506	GEARBOX R.H. 50 HZ	67
		090-004-507	GEARBOX L.H. 50 HZ	67
	9	839-665-002	FLEX LOC NUT, 3/8 - 16	67
	10	951-164-002	SPLIT LOCK WASHER, 3/8	67
	11	809-865-325	HEX HD. CAP SCREW, 3/8 - 16 X 2 LG.	67
	12	090-007-310	MOTOR, 50 HZ	67
		090-003-766	MOTOR, 60 HZ	67
	13	809-865-245	HEX HD. CAP SCREW, 3/8 - 16 X 1 - 1/2 LG.	67
	14	809-865-165	HEX HD. CAP SCREW, 3/8 - 16 X 1 LG.	67
	15	000-023-758	PAPER WASHER, 3/8 I.D. X 7/8 O.D.	67
	16	000-022-172	PULLEY	67
	17	907-202-600	SQUARE 3/16 X 3/16 X 2 LG.	67
	18	070-003-221	HEX HD. CAP SCREW, 3/8 - 16 X 3 - 1/2 LG.	67
	19	948-767-132	FLAT WASHER, 13/32 I.D. X 13/16 O.D. X 1/16 THK.	67

ASSEMBLY	ITEM #	PART #	DESCRIPTION	PAGE #
BACK END MOTOR MOUNT BRACKET ASSEMBLY (CONTINUED)				
	20	809-857-125	HEX HD. CAP SCREW, 5/16 - 18 X 3/4 LG.	67
	21	844-057-002	STOVER LOCK NUT 5/16 - 18	67
	22	090-004-519	SPACER	67
	23	090-003-508	TENSIONER ASSEMBLY	67
	24	831-565-002	HEX NUT, 3/8 - 16	67
	25	809-865-325	HEX HD. CAP SCREW, 3/8 - 16 X 2 LG.	67
	26	090-004-444	IDLER PULLEY	67
	27	835-565-002	HEX JAM NUT, 3/8 - 16	67
	28	090-004-120	STUB SHAFT	67
	29	070-002-007	BELT TIGHTENER PULLEY ASSEMBLY	67
	30	000-022-821	SHOCK PIN	67
	31	963-600-002	X-WASHER, # 9000-6	67
	32	700-107-146	LOCTITE	67
		*090-003-514	GEARBOX, R.H. 60 HZ ASSEMBLY	67
		*090-003-515	GEARBOX, L.H. 60 HZ ASSEMBLY	67
		*090-003-512	GEARBOX, L.H. 50 HZ ASSEMBLY	67
		*090-003-513	GEARBOX, R.H. 50 HZ ASSEMBLY	67

*(INCLUDES ITEMS 8 - 15 WITH 60 HZ MOTOR & GEARBOX)

BACK END ASSEMBLY

	1	844-057-002	STOVER LOCKNUT, 5/16 - 18	69
	2	070-001-195	PIN EJECTOR	69
	3	000-029-068	RUBBER SHOCK MOUNTING	69
	4	090-004-211	L.H. TREAD WELDMENT (SHOWN)	69
	4A	090-004-210	R.H. TREAD WELDMENT (NOT SHOWN)	69
	5	809-857-205	HEX HD. CAP SCREW, 5/16 - 18 X 1 - 14 LG.	69
	6	948-761-112	WASHER, 11/16 O.D. X 11/32 I.D. X 1/16 THK.	69
	7	809-857-165	HEX HD. CAP SCREW, 5/16 - 18 X 1 LG.	69
	8	070-001-184	STRAP WELDMENT	69
	9	809-875-165	HEX HD. CAP SCREW, 5/16 - 18 X 3/4 LG.	69
	10	000-027-100	L.H. APRON ASS'Y.	69
	10A	000-027-099	R.H. APRON ASS'Y. (NOT SHOWN)	69
	11	808-858-120	FL.HD. SOC. CAP SCREW, 5/16 - 24 X 3/4 LG.	69
	12	000-027-380	L.H. PLOW & MAT ASS'Y. LARGE (SHOWN)	69
	12A	000-027-372 R.H.	PLOW & MAT ASS'Y. LARGE (NOT SHOWN)	69
	13	808-849-120	FL.HD. SOC. CAP SCREW, 1/4 - 20 X 3/4 LG.	69
	14	948-753-102	WASHER, 5/8 O.D. X 9 / 32 I.D. X 1/16 THK.	69
	15	844-049-002	STOVER LOCKNUT, 1/4 - 20	69
	16	948-767-132	PLAIN WASHER, 47/64 O.D. X 13/32 I.D. X 1/16 THK.	69
	17	951-164-002	SPLIT LOCK WASHER, 3/8	69
	18	808-566-160	BUTTON HD. SOC. CAP SCREW, 3/8 - 24 X 1 LG.	69
	19	070-007-359	SUPPORT BRACKET	69
	20	090-004-028	WARNING DECALS	69
	21	070-002-169	L.H. PLOW & MAT ASS'Y. SMALL (NOT SHOWN)	69
	21A	070-001-412	R.H. PLOW & MAT ASS'Y. SMALL	69
	22	070-001-185	BRACE	69
	23	808-858-240	FL.HD.SOC. CAP SCREW, 5/16 - 24 X 1 - 1/2 LG.	69
	24	809-858-125	HEX HD. CAP SCREW, 5/16 - 24 X 3/4 LG.	69

BOUNCE PLATE AND ROLLER ASSEMBLY (CONTINUED)

	1	090-005-270	BOUNCE BOARD RF	71
	1A	090-005-271	BOUNCE BOARD LF (NOT SHOWN)	71
	2	090-005-272	BOUNCE BOARD RR	71
	2A	090-005-273	BOUNCE BOARD LR (NOT SHOWN)	71
	3	000-029-626	ANGLE SUPPORT	71
	4	000-021-224	VIBRATION DAMPENER	71
	5	090-005-274	REINFORCING BAR	71
	6	000-025-622	BONDING STRAP	71
	7	000-021-914	CHANNEL	71
	8	070-007-769	BALL IDLING BRACKET	71
	9	809-849-325	SCR-HEX 1/4 - 20 X 2	71
	10	844-057-002	STVR-LK NUT 5/16 - 18	71
	11	948-761-112	WSHR. 3/4 I.D. X 625 O.D. X .06	71
	12	809-857-205	SCR-HEX 1/4 - 20 X 1 - 1/4	71
	13	844-049-002	STVR-LK 1/4 - 20	71
	14	809-857-205	SCR-HEX 1/4 - 20 X 1 - 1/4	71

ASSEMBLY	ITEM #	PART #	DESCRIPTION	PAGE #
BOUNCE PLATE AND ROLLER ASSEMBLY (CONTINUED)				
	15	948-753-102	WSHR .281 I.D. X .625 O.D. X .06	71
	16	809-849-165	SCR-HEX 1/4 - 20 X 1	71
	17	000-024-590	BEARING	71
	18	000-024-579	HINGE ROLLER	71
	19	000-024-580	HINGE SHAFT	71
	20	000-024-597	LINK ASSEMBLY	71
	21	000-024-582	ROLLER PIN	71
	22	913-411-100	ESNA ROLL PIN	71
	23	000-025-662	NYLOC SCREW	71
	24	000-024-578	ROLLER BODY	71
	25	070-002-033	REAR ROLLER	71
	26A	090-006-124	PREMIUM CARPET	71
	26B	000-026-756	WOVEN MONOFILAMENT SPLIT FINGER SPLICE BELT	71
	27	090-004-203	CARPET DRIVE SHEAVE	71
	28	806-265-160	SQ HD. SCREW CUP PT. 3/16 - 16 X 1 LG.	71
	29	070-002-034	REAR ROLLER ASSEMBLY	71
	30	000-024-576	FRONT ROLLER ASSEMBLY	71
	31	612-070-014	REAR ROLLER REPAIR KIT	71
CUSHION, SHOCK ABSORBER & CURTAIN ASSEMBLY				
	1	070-001-421	STRAP	73
	2	844-057-002	NUT, STOVER LOCK, 5/16 - 18	73
	3	963-600-002	X-WASHER	73
	4	000-022-821	PIN	73
	5	948-975-172	WASHER, FLAT, 1-1/16 X 17/32 X 3/32	73
	6	000-022-822	SLEEVE	73
	7	000-022-286	CUSHION STRUT COLLAR	73
	8	000-022-288	SPRING	73
	9	000-022-287	SPRING SEATING WASHER	73
	10	951-148-002	LOCK WASHER, 1/4 SAE	73
	11	810-250-200	SCREW, SOCKET HEAD CAP, 1/4 - 28 X 1-1/4	73
	12	000-022-823	SHOCK ABSORBER W/UPPER COLLAR	73
	12A	000-022-824	SHOCK ASSY (INCLUDES 6, 7, 8, 9, 10, 11 & 12)	73
	13	809-857-125	SCREW, HEX, 5/16 - 18 X 3/4	73
	14	000-024-534	HANGER EAR	73
	15	070-011-286	CURTAIN ROD BUSHING	73
	16	070-011-288	CURTAIN ROD	73
	17	000-026-450	CURTAIN ASSEMBLY	73
	18	000-024-807	RUBBER CUSHION, R.H. MACHINE	73
	19	000-024-808	RUBBER CUSHION, L.H. MACHINE	73
	20	090-005-230	CUSHION COVER	73
	21	000-028-519	RIVET, CUSHION ASSEMBLY	73
	22	948-761-112	WASHER, 11/32 X 11/16 X 1/16	73
	23	809-849-125	SCREW, HEX, 1/4 - 20 X 3/4	73
	24	070-004-738	GUARD	73
	25	070-001-389	CURTAIN LATCH SPRING	73
	26	070-001-396	CURTAIN LATCH PIN	73
	27	913-431-160	SPRING PIN, .156 X 1	73
	28	809-857-205	SCREW, HEX, 5/16 - 18 X 1-1/4	73
	29	809-857-165	SCREW, HEX, 5/16 - 18 X 1	73
	30	070-007-360	SUPPORT BRACKET WELDMENT	73
	31	808-865-400	SCREW, FLAT HEAD, 3/8 - 16 X 2-1/2	73
	32	000-024-801	WASHER	73
	33	913-437-240	SPRING PIN, .187 X 1-1/2	73
	34	070-005-610	CURTAIN LINK	73
	35	945-091-242	WASHER, 1-1/2 X 1 X .046	73
	36	951-164-002	WASHER, SPLIT LOCK, 3/8	73
	37	844-065-002	NUT-STOVER LOCK, 3/8 - 16	73
	38	808-865-320	SCREW, FLAT HEAD, 3/8 - 16 X 2	73
	39	070-001-432	PAD	73
	40	070-001-422	U-BOLT	73
	41	070-002-050	TUBE WELDMENT, R.H. MACHINE	73
	42	070-002-252	TUBE WELDMENT, L.H. MACHINE	73
	43	000-024-796	PLANK, R.H. MACHINE	73
	44	000-024-795	PLANK, L.H. MACHINE	73
	45	000-022-770	SPONGE RUBBER CUSHION PAD	73

ASSEMBLY	ITEM #	PART #	DESCRIPTION	PAGE #
CHASSIS MOUNTING BRACKET ASSEMBLY				
	1	090-004-707	CHASSIS COVER	75
	2	090-008-965	90XL PINSPOTTER CONTROL CHASSIS (220V 50/60HZ)	75
	3	809-849-125	HEX HD. CAP SCREW, HEX 1/4 - 20 X 3/4 LG.	75
	4	090-004-706	CHASSIS MOUNTING BRACKET	75
	5	835-549-002	HEX JAM NUT, 1/4 - 20	75
	6	090-004-514	CHASSIS MOUNTING BRACKET SUPPORT	75
	7	948-753-102	WASHER, FLAT, 9/32 X 5/8 X 1/16	75
	8	844-049-002	NUT, STOVER LOCK, 1/4 - 20	75
	9	809-857-125	SCREW, HEX, 5/16 - 18 X 3/4	75
	10	948-761-112	WASHER, FLAT, 11/32 X 11/16 X 1/16	75
	11	844-057-002	NUT, STOVER LOCK, 5/16 - 18	75
	12	090-004-513	TIE PLATE	75
FRONT END ELECTRICAL INSTALLATION RH MACHINE				
	1	090-005-759	ODD LOGIC CABLE	77
	2	090-005-739	PINDICATION CABLE	77
	3	090-005-763	ODD POWER CABLE	77
	4	090-005-733	FRONT END CABLE	77
	5	070-007-748	FRONT WIREWAY	77
	6	070-007-747	WIREWAY COVER	77
	7	724-511-074	U-NUT, 10 - 32	77
	8	812-840-082	SCREW, ROUND HEAD, 10 - 32 X 1/2	77
	9	090-005-827	FRONT END CONTROL BOX (UNIVERSAL)	77
	10	090-008-034	DUAL PIT LIGHT ASSEMBLY 36", 120V, 50HZ	77
	11	090-008-017	DUAL PIT LIGHT ASSEMBLY 36", 120V, 60HZ	77
	12	090-008-033	DUAL PIT LIGHT ASSEMBLY 36", 240V, 50HZ	77
	13	090-008-032	DUAL PIT LIGHT ASSEMBLY 36", 240V, 60HZ	77
	14	090-003-703	PIT LIGHT CABLE (ONLY USED ON ITEMS 28 - 32)	77
	15	070-002-841	TABLE & SWEEP CAM SWITCH ASSEMBLY	77
	16	090-005-734	STRIKE/FOUL CABLE	77
	17	090-004-060	FRONT END MOTOR, 50HZ	77
	18	090-004-061	FRONT END MOTOR, 60HZ	77
	19	090-005-876	MOTOR CABLE	77
	20	090-005-053	CROSSBEAM COVER	77
	21	090-004-499	FRONT END GEARBOX, 50HZ	77
	22	090-004-500	FRONT END GEARBOX, 60HZ	77
	23	090-003-802	PIT LIGHT ASSEMBLY, 120V, 50 HZ	77
	24	090-003-800	PIT LIGHT ASSEMBLY, 120V, 60 HZ	77
	25	090-003-801	PIT LIGHT ASSEMBLY, 240V, 50 HZ	77
	26	090-003-803	PIT LIGHT ASSEMBLY, 240V, 60 HZ	77
	27	090-003-805	PIT LIGHT, NO BALLAST, JAPAN	77
	28	751-001-254	LAMP, DAYLIGHT, F30T 12/DIRS	77
	29	751-001-466	LAMP, DAY LIGHT T8 36", 30W	77
	30	751-001-460	LAMP, BLACK LIGHT T8 36", 30W	77
FRONT END ELECTRICAL INSTALLATION LH MACHINE (CONTINUED)				
	1	090-005-762	EVEN POWER CABLE	79
	2	090-005-758	EVEN LOGIC CABLE	79
	3	090-005-739	PINDICATION CABLE	79
	4	090-005-733	FRONT END CABLE	79
	5	070-007-748	FRONT WIREWAY	79
	6	090-005-053	CROSSBEAM COVER	79
	7	090-005-876	MOTOR CABLE	79
	8	090-004-499	FRONT END GEARBOX, 50HZ	79
	9	090-004-500	FRONT END GEARBOX, 60HZ	79
	10	070-002-841	TABLE & SWEEP CAM SWITCH ASSEMBLY	79
	11	090-003-703	PIT LIGHT CABLE (ONLY USED ON ITEMS 13-17)	79
	12	090-003-802	PIT LIGHT ASSEMBLY, 120V, 50 HZ	79
	13	090-003-800	PIT LIGHT ASSEMBLY, 120V, 60 HZ	79
	14	090-003-801	PIT LIGHT ASSEMBLY, 240V, 50 HZ	79
	15	090-003-803	PIT LIGHT ASSEMBLY, 240V, 60 HZ	79
	16	090-003-805	PIT LIGHT, NO BALLAST, JAPAN	79
	17	090-004-060	FRONT END MOTOR, 50HZ	79
	18	090-004-061	FRONT END MOTOR, 60HZ	79
	19	751-001-254	LAMP, DAYLIGHT F30T 12/DIRS	79
	20	751-001-460	LAMP, BLACK LIGHT T8 36", 30W	79
	21	751-001-466	LAMP, DAY LIGHT T8 36", 30W	79

ASSEMBLY	ITEM #	PART #	DESCRIPTION	PAGE #
FRONT END ELECTRICAL INSTALLATION LH MACHINE (CONTINUED)				
	22	090-005-734	STRIKE/FOUL CABLE	79
	23	724-511-074	U-NUT, 10 - 32	79
	24	812-840-082	SCREW, ROUND HEAD, 10 - 32 X 1/2	79
	25	070-007-747	WIREWAY COVER	79
	26	090-008-034	DUAL PIT LIGHT ASSEMBLY 36", 120V, 50HZ	79
	27	090-008-017	DUAL PIT LIGHT ASSEMBLY 36", 120V, 60HZ	79
	28	090-008-033	DUAL PIT LIGHT ASSEMBLY 36", 240V, 50HZ	79
	29	090-008-032	DUAL PIT LIGHT ASSEMBLY 36", 240V, 60HZ	79



