



82-70 PINSPOTTER

PARTS CATALOG



Genuine Quality for Real Value!

In 1957, the AMF Pinspotter became the first fully automated machine to be installed and used by bowlers at the ABC Championship. Ever since, AMF has been committed to understand the demands of a bowling center. As the original equipment manufacturer, AMF is the expert!

When you buy Genuine AMF Parts, you know they have been conscientiously manufactured and thoroughly tested. Genuine AMF replacement Parts are manufactured to the highest specifications. When you buy Genuine AMF Parts you won't have to worry about compatibility or durability. Near enough is not good enough. Don't lower the quality and reliability of your equipment by using substitute parts.

AMF is committed to offering you the best value with Genuine AMF Parts. A commitment to see that those Parts measure up to the original equipment in quality, value and engineering. A commitment to offer you the best equipment, the best engineering and the best technology.

Our mission is to maximize brand loyalty, customer satisfaction, and value proposition by providing a full line of high quality products and services with timely order fulfillment and the best customer support.



Consumer & Support Products (CSP) Division

"We keep you in the game!"

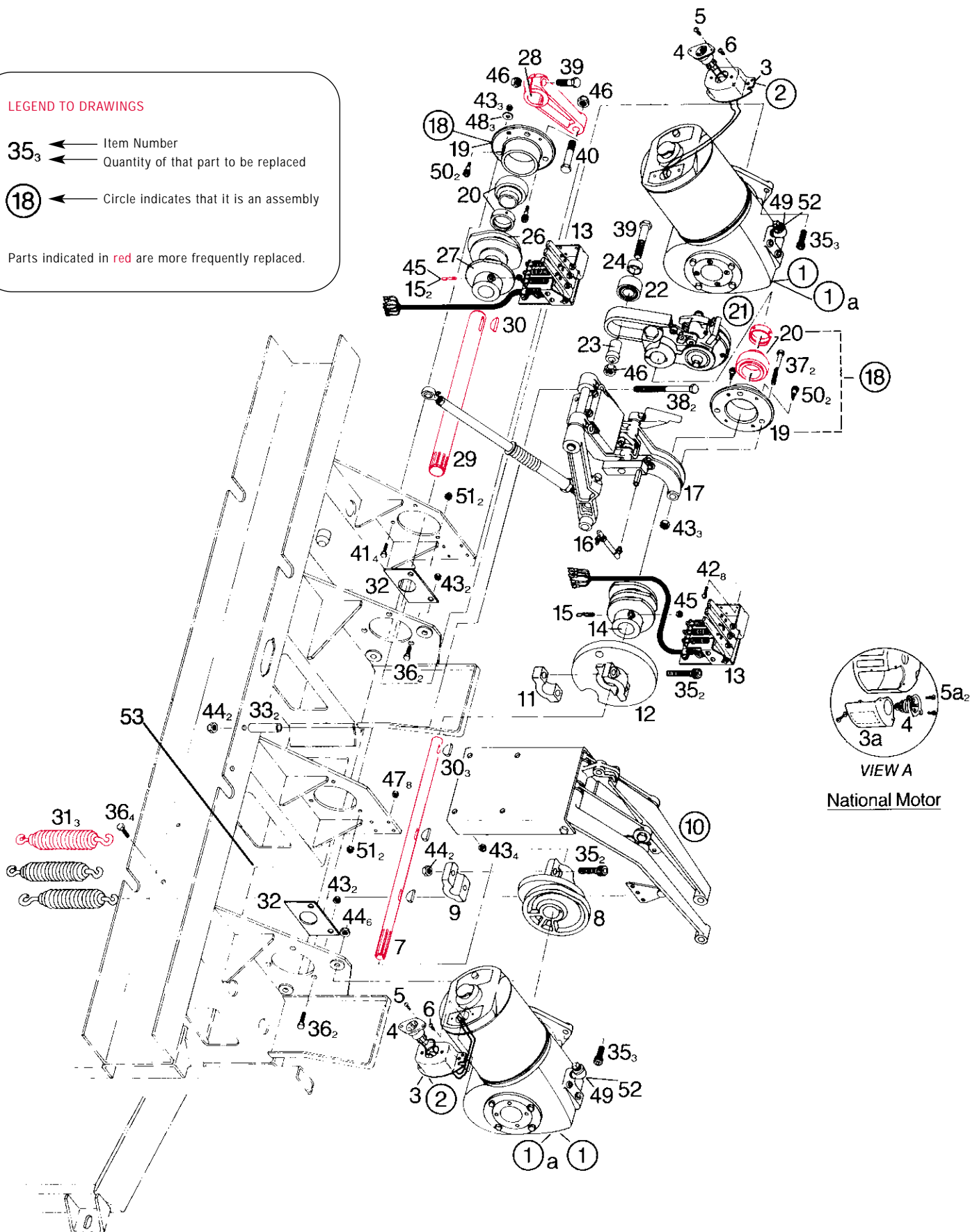


2	FRONT END DRIVE ASSEMBLY	44	CUSHION, SHOCK ABSORBER & CURTAIN SUPPORT ASSEMBLIES
4	SPOT & RESPOT LINK ASSEMBLY	46	BALL LIFT PRESSURE KIT
5	SHUTTLE OPERATOR & SOLENOID ASSEMBLY	47	VELCRO CUSHION COVER
6	TABLE DRIVE ASSEMBLY	48	POSITIVE BALL LIFT
8	TABLE ASSEMBLY	50	RATCHET ASSEMBLY
10	TABLE WIREWAY ASSEMBLY	52	BELT TENSIONER ASSEMBLY - OLD VERSION
12	SWITCH ASSEMBLY TABLE ASSEMBLY	53	PBL BELT TENSIONER ASSEMBLY - NEW VERSION
14	YOKE & SPOTTING CUP ASSEMBLY	54	LIGHT BALL SENSOR ASSEMBLY
16	CELL ASSEMBLY - RESPOT	56	BELT TIGHTNER ASSEMBLY
18	RESPOT CELL NUMBER 7 ASSEMBLY	57	TRACK RAIL ASSEMBLY
20	TABLE TORQUE TUBE ASSEMBLY - NEW	58	BALL LIFT ASSEMBLY
21	TABLE TORQUE TUBE ASSEMBLY - OLD	60	SPRING LOADED DRIVE LINK ASSEMBLY & KICKER ROLLERS
22	COUNTER BALANCE SPRING EYE REPAIR KIT	61	PBL PLUS CONVERSION KIT
23	SHUTTLE ASSEMBLY	62	ADJUSTABLE SPEED SHEAVE
24	BIN ASSEMBLY	63	ADJUSTABLE SPEED RUDDER DRIVE SHEAVE
26	SWEEP ASSEMBLY	64	KICKER BALL LIFT
27	SPOT & RESPOT TIE ROD INSTALLATION	66	BACK END CONTROL BOX
28	SWEEP BAR MOUNTING ASSEMBLY	67	C-1 CABLE ASSEMBLY
29	DISTRIBUTOR DRIVE SHAFT ASSEMBLY & CLUTCH ASSEMBLY	68	SWEEP & TABLE CAM SWITCH ASSEMBLY
30	DISTRIBUTOR ASSEMBLY	69	WIRE HARNESS SWEEP CAM SWITCH & TABLE CAM SWITCH
34	DISTRIBUTOR BELTS	70	FRONT END ELECTRICAL INSTALLATION RH
35	ROUGH TOP BELT SKIVER	72	FRONT END ELECTRICAL INSTALLATION LH
36	KICKBACK ASSEMBLY	74	C-2A HARNESS ASSEMBLY
37	KICKBACK ASSEMBLY/SIDE OPP. BALL EXIT	76	MP CHASSIS ASSEMBLY
38	PIN ELEVATOR ASSEMBLY	78	SOLID STATE CHASSIS
39	MOTOR BRACKET ASSEMBLY	80	CABLE & WIRE ASSEMBLIES
40	REAR ROLLER REPAIR KIT	81	OBSOLETE/CROSS-REFERENCE LIST
41	CARPET BELTS	101	REPAIR/EXCHANGE PROGRAM
42	BACK END ASSEMBLY PARTS		
43	BOUNCE PLATE & ROLLER ASSEMBLIES		

LEGEND TO DRAWINGS

- 35₃ ← Item Number
- ← Quantity of that part to be replaced
- (18) ← Circle indicates that it is an assembly

Parts indicated in red are more frequently replaced.

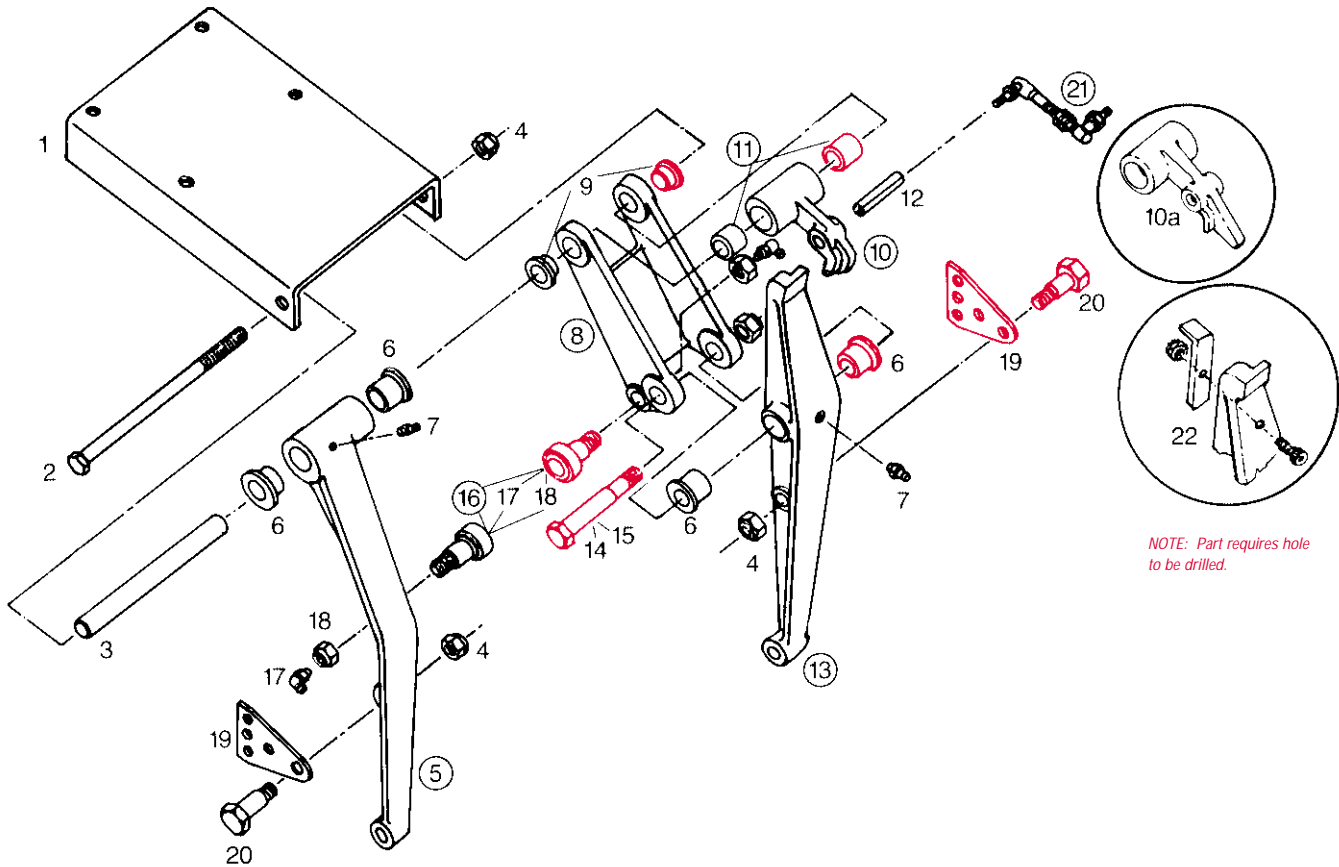


ITEM	PART NUMBER	DESCRIPTION
1 *	610704052	WH MTR/RECPY ASSY 115/60
1A	070006219	MTR-115/230-50 COMB
2	000027655	RECEPTACLE-MALE
2B	785501656	RECPY ASY-G.E. COMB
3A	090004521	RECEPTACLE MOUNT
3	000025590	RECEPTACLE HOUSING
4	000027655	RECEPTACLE-MALE COMBO 5 PRONG
5	823127062	SCREW 6-32 X 3/8 PHIL RD - OBS
5A	785502202	SCREW RDHD 3 X 10MM
6	828127062	SCREW-RDHD 6-32 X 3/8TYD
7	070001700	SHAFT, TABLE DRIVE
8	070001910	SPOT RESPOT CAM
9	070001562	CAP, CAM HUB - OBS
10	070006499	SPOT&RESPOT LINK ASY - OBS
11	070006407	CAP-CAM HUB
12	070006427	CAM, SHUTTLE
13	070006420	CAM SWITCH ASSY
14	070006417	TABLE CAM WELD
15	070001664	CLAMP STUD
16	070006493	BALL-JOINT ASY
17	530706495	SOLENOID, SHUTTLE ASY USED - OBS
18	000021744	BEARING, SELF ALIGNG
19	000021683	RETAINER, BEARING
20	000021905	BEARING (LOCKING COLLAR)
21	070001840	TABLE DRIVE ASY
22	190001490	BEARING, TABLE DRIVE
23	070007310	BUSHING
24	070007311	SLEEVE
26	070006449	CAM WELD-SB&SC SWEEP
27	070006450	CAM WELD-SA SWEEP
28	000023139	ARM-CRANK

ITEM	PART NUMBER	DESCRIPTION
29	070001699	SHAFT, SWEEP DRIVE
30	907000900	KEY-HY PRO 910
31	070001707	SPRING
32	070006765	SHAFT PLATE
33	070006310	SPACER
34	810265240	SCREW SOC 3/8-16 X 1 1/2 - OBS
35	810265280	SCREW-SOC 3/8-16 X 1 3/4
36	809857125	SCREW-HX 5/16-18 X 3/4
37	809857405	SCREW-HX 5/16-18 X 2 1/2
38	809865645	SCREW-HX 3/8-16 X 4
39	809873405	SCREW-HX 1/2-13 X 2 1/2
40	070003243	SCREW-CRANK ARM
41	809857165	SCREW-HX 5/16-18 X 1
42	818239122	SCREW-SMRD 10-24 X 3/4
43	844057002	5/16-18 STOVER LOCKNUT
44	844065002	3/8-16 STOVER LOCK NUT
45	835549002	1/4-20 JAM NUT
46	844073002	1/2-13 STOVER LOCKNUT
47	840039002	10-24 FLEX NUT TN
48	948761112	5/16 WASHER
49	710501004	FITTING-ALMTE
50	880239140	SCREW 1/4 X 1/2 LG. SHOULDER BOLT
51	843139002	NUT, KEPS EXT. LKWSHR (#10-24)
52	718506006	ELBOW - ST 90 DE. 6 1/4
53	070007761	BRKT.SPOT RESPOT SPRING HANGER KIT
	610704103	KIT-SPRING ROLLER PIN REPAIR KIT
	030003943	CRANK, MOTOR
NOT SHOWN	070005585	END MACHINE GUARD
	610700153	END MACHINE KIT

* See price book for exchange and repair program.
 Note: Lubricant for Motor: 715 021 716 LUBE OIL, 600W, QUART
 715 021 706 LUBE OIL, 600W, 12 QUARTS



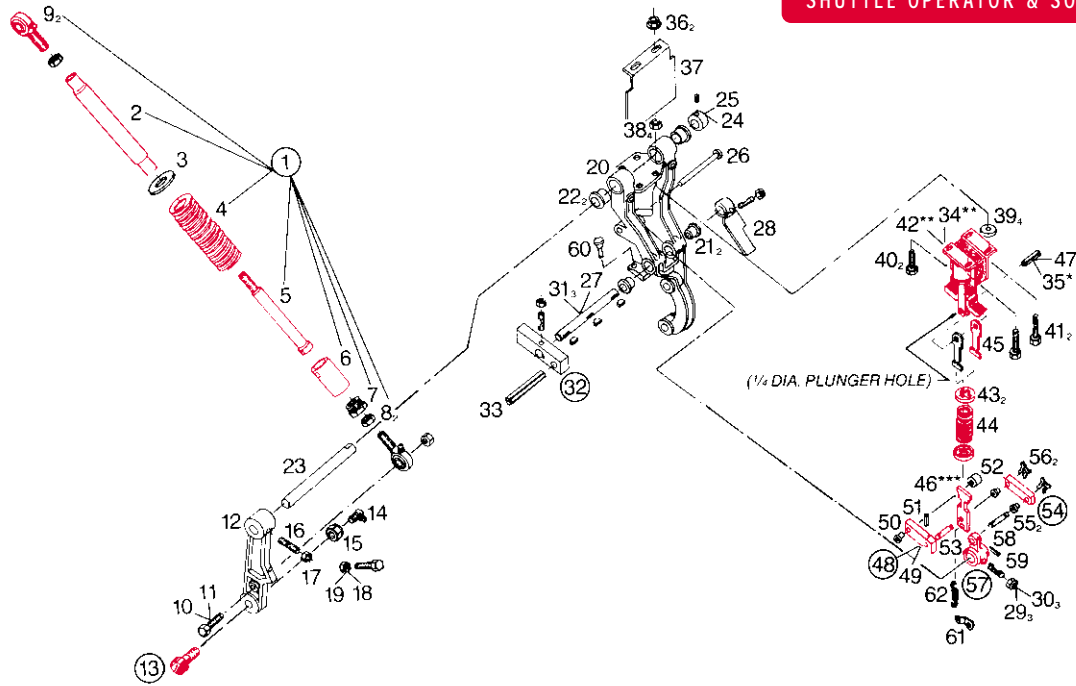


ITEM	PART NUMBER	DESCRIPTION
1	070006478	BRACKET
2	070006496	SCREW-HX 3/8-16 X 7
3	070006457	SHAFT
4	839665002	NUT-FLX 3/8-16
5	070006492	LINK ARM-RESPOT ASSY
6	070001919	FLANGED BUSHING
7	710501009	FITTING-ALMTE
8	070001605	SPOT LINK ASSEMBLY-UPPER
9	070002691	FLANGED BUSHING
10A*	070001997	LATCH ASSEMBLY-SPT ARM ASSY
11	900110141	BEARING SL
12	913464360	PIN-SPRNG .375 X 2 1/4

ITEM	PART NUMBER	DESCRIPTION
13	070006481	LINK ARM-SPOT ASSY
14	070001585	PIN-SPOT LINK
15	844073002	1/2-13 STOVER LOCKNUT
16	610704002	CAM FOLLOWER ASSEMBLY
17	710501012	FITTING-ALMTE
18	844070002	7/16-20 STOVER LOCK NUT
19	070001751	HANGER-SPRING
19A	090005576	HANGER-SPRING
20	070001587	PIN-SPRING HANGER
21	070006493	BALL-JOINT ASSEMBLY
22	610704127	KIT-LATCH OVERRIDE USE WITH MP CHASSIS AND 070006445 LATCH ASSEMBLY

* Item 10a or Item 22 is used when upgrading from Eleco to MP Chassis.





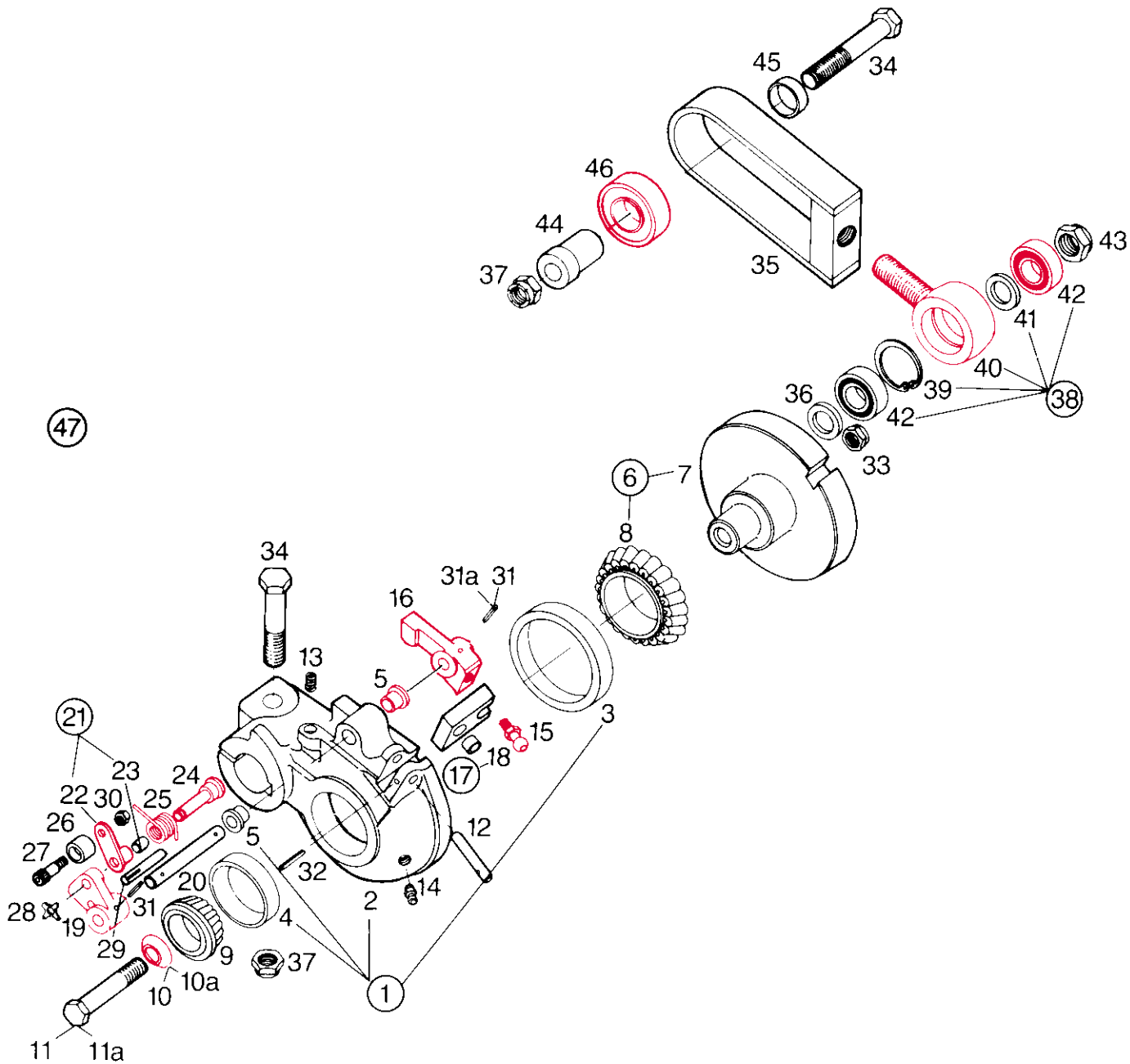
ITEM	PART NUMBER	DESCRIPTION
1	090005263	SHUTTLE ROD ASSY
2	070006297	TUBE-LONG
3	070006296	WASHER-SPRING
4	070006306	SPRING-SHUTTLE ROD
5	070006304	ROD-SHUTTLE
6	070006299	TUBE-SHORT
7	070006302	PLUG-SHUTTLE ROD
8	835566002	3/8-24 HEX STL THIN NUT
9	090005256	ROD-END-DISTRIBUTOR SUPPORT
9A	090005256	ROD-END-DISTRIBUTOR SUPPORT
10	809865205	SCREW-HEX 3/8-16 X 1 1/4
11	840065002	NUT-FLX-TN 3/8-16
12	070006295	LEVER-SHUTTLE
13	610704002	CAM FOLLOWER ASSEMBLY
14	710501012	FITTING-ALMTE*1911B
15	835570002	NUT-HEX-JAM 7/16-20HY
16	070006284	STUD-CLAMP-SHUTTLE DR
17	834557002	NUT HEX 5/16-18
18	835565002	3/8 X 16 HEX NUT - THIN
19	809865165	SCREW-HEX 3/8-16 X 1
20	530706294	BRACKET SHUTTLE USED - OBS
21	701416058	BEARING FL.502X .627 X .875
22	900210161	BEARING FL
23	070006286	SHAFT
24	000021423	COLLAR 5/8X1 1/8 X 1/2
25	807357040	SCREW-STS05/16-18 X 1/4K
26	070006289	SHAFT-SHUTTLE DRIVE
27	070006285	SHAFT-SHUTTLE-DRIVE
28	070006278	LEVER-CAM
29	070006116	STUD-CLAMP
30	835549002	1/4-20 JAM NUT
31	907000200	KEY-HY PRO* 404
32	070006484	STOP LEVER ASSY
33	913464400	PIN-SPRNG .375 X 2 1/2
34**	000026027	SOLENOID 60 HZ .156

ITEM	PART NUMBER	DESCRIPTION
34A**	000027873	SOLENOID 50 HZ .156
35*	000028391	SCREW-SHOULDER
35A*	957000002	#6 EXT STAR LOCKWASHER
35B*	834527002	NUT-HEX 6-32 CD
35C*	700107170	ADHSVE-LKTE 609
36	843133002	NUT-KEP 8-32 WASH
37	070006279	GUARD-SOLENOID
38	839033002	8-32 LOCK NUT
39	000021442	WASHER-RUBBER
40	814333122	8-32 X 3/4 MACHINE SCREW
41	813922162	SCREW HD 8-32 X 1.0 - OBS
42**	090005723	SOLENOID UNIVERSAL
42A**	090003739	ADAPTER CABLE FOR ABOVE
43	070006277	WASHER
44	070006276	SPRING
45	070006724	LINK-SPNG .250 HOLE
45A*	070006281	LINK-SPNG .156 HOLE
46***	070006282	LINK
47	913448120	PIN-SPRNG.250 X 3/4
48	610704015	KIT-LINK ASSY
49	070008135	LINK ASSEMBLY
50	900204121	BEARING FL.25X .378 X 3/4LG
51	913415100	PIN-SPRNG .094 X 5/8
52	070008133	SPACER-LINK ASSY
53	070006287	PIN
54	070001774	LINK ASSEMBLY
55	070002653	BEARING FL .252 X .315 X .38
56	963200002	WASHER-X 1/8 9000-8
57	070006307	LINK ASSEMBLY-SHUTTLE DR
58	070001777	PIN
59	913415100	PIN-SPRNG .094 X 5/8
60	070006142	BUMPER
61	070006280	CLIP-SPRING-SHUTL.DR
62	070006283	SPRING
63	610704120	CONV KIT DBL-SGL SOL
64	710502010	FITTING-HEIM*LU640

* Used prior to serial #110172 these parts used only with item #34 or 34A. Solenoids with 5/32 Dia. plunger hole. Apply locktite item #35B (Nut) at assembly.

** Mount solenoids so that stroke is vertical in all directions, within + 1/64 inch. When replacing solenoid for the first time, need cable part 090 003 739.

*** If replacing item #34 or 34a solenoid with items #42 or 47 and #42a and 47 cut 1/16 inch off top item #46 to bring overall length to 2.29/32 inch. (Check length of item #46 before cutting)

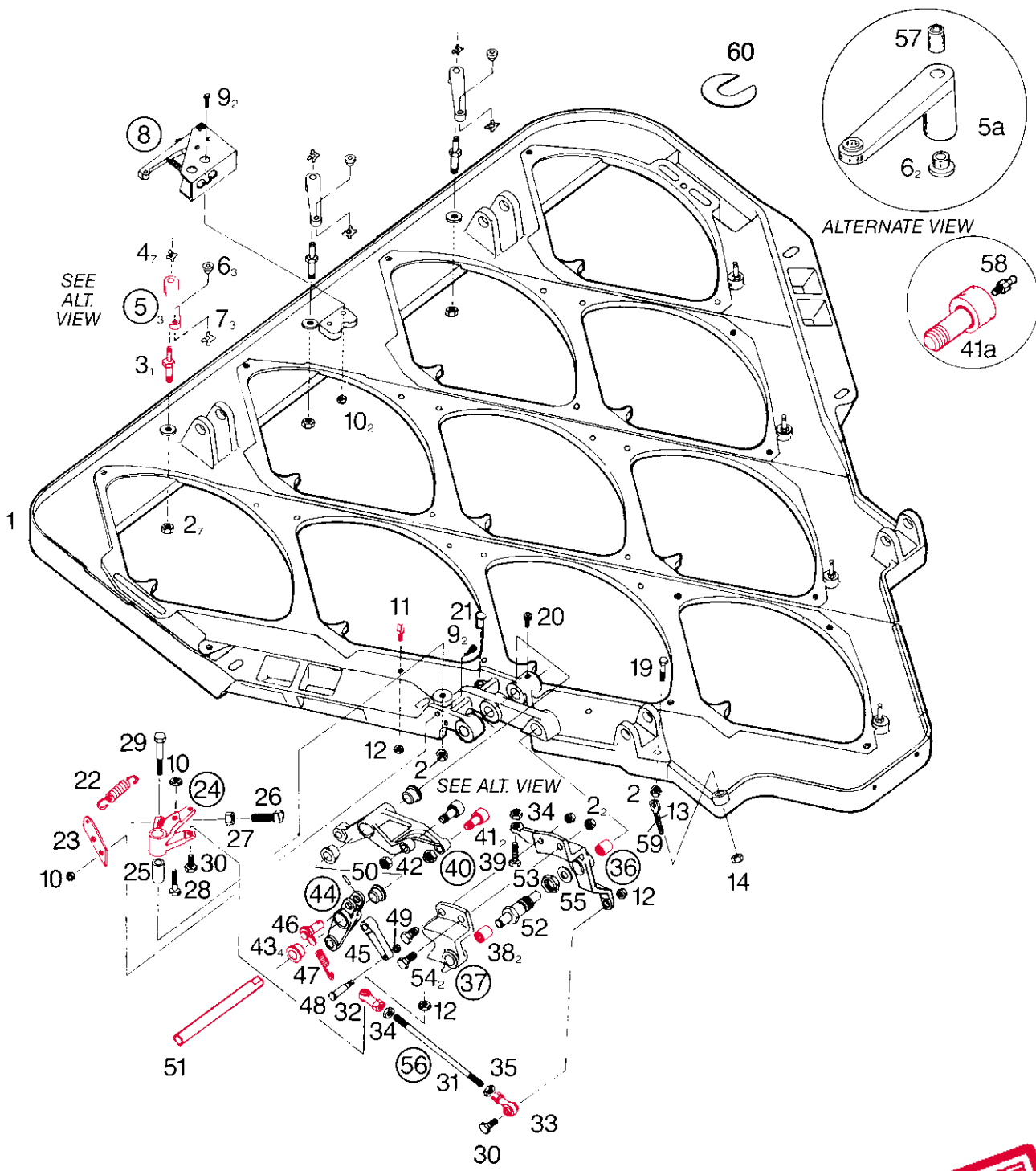


ITEM	PART NUMBER	DESCRIPTION
1	070002778	HOUSING/CUP ASSEMBLY
2	070002778	HOUSING/CUP ASSEMBLY
3	070002777	CUP-ROLLER BEARING LG
4	070002780	CUP-ROLLER BEARING SM
5	900205053	BEARING FL .315 X .44 X 5/16
6	070002779	ECCENTRIC & CONE ASM
7	070001877	ECCENTRIC-TABLE DR.
8	070002776	BEARING CONE RL-TBL DRV
9	070002824	CONE & SEAL ASSY
10	070006729	DISC SPRING
11	809870285	SCREW-HEX 7/16-20 X 1 3/4
11A	809870325	SCREW-HEX 7/16-20 X 2
12	070001894	PIN-PIVOT
13	070001917	SPRING-COMPRESSION
14	710501004	FITTING-ALMTE*1641
15	070001893	CAM BALL ASSEMBLY
16	070008321	ARM-LATCH
17	070001898	LATCH ASSEMBLY
18	900104071	BEARING SL BZ .253 X 7/16
19	070008322	LINK-ACTUATOR ASSEMBLY
20	070008325	PIN-ACTUATOR ASSEMBLY
21	070007250	LINK HUB ASSEMBLY
22	070007250	LINK HUB ASSEMBLY
23	070002652	BEARING SL .252 X 315 X .5 LG
24	070001932	PIN
25	070001931	SPRING

ITEM	PART NUMBER	DESCRIPTION
25 A	070001844	SPRING-ACTUATOR
26	070001857	ROLLER-NYLON
27	880139120	SCREW-SHLD 1/4 X 3/8
28	963300002	WASHER-X 5/32 9000-10
29	912137200	PIN-GRV 3/16 X 1 1/4T3
30	839539002	NUT-FLX-TK *10-24 HT
31	913423120	PIN-SPRNG .125 X 3/4
32	913415120	PIN-SPRNG .094 X 3/4
33	840070002	NUT FLEX 7/16-20
<i>Note: The following parts (34-46) are not included in 070001840 Table Drive Assembly</i>		
34	809873405	SCREW-HEX 1/2-13 X 2 1/2
35 *	070007755	YOKE WELDMENT NEW STYLE
36	070001849	WASHER-SPECIAL
37	844073002	1/2-13 STOVER LOCKNUT
38	000021880	ROD END ASSEMBLY
39	919000600	RING-RET. 5000-137
40	000021880	ROD END ASSEMBLY
41	000021878	SPACER ROD ASSEMBLY
42	000021881	BEARING BL .625 X 1.375
43	840182002	NUT FLX LK 31FK1018
44	070007310	BEARING FL .502 X .871 X 1.20
45	070007311	SLEEVE-TABLE DR ASSEMBLY
46	190001490	BEARING BL .8750 X 1.875 X .5
47	070001840	TABLE DRIVE ASSEMBLY
NOT SHOWN	610704012	KIT FOR OLD STYLE TABLE DRIVE

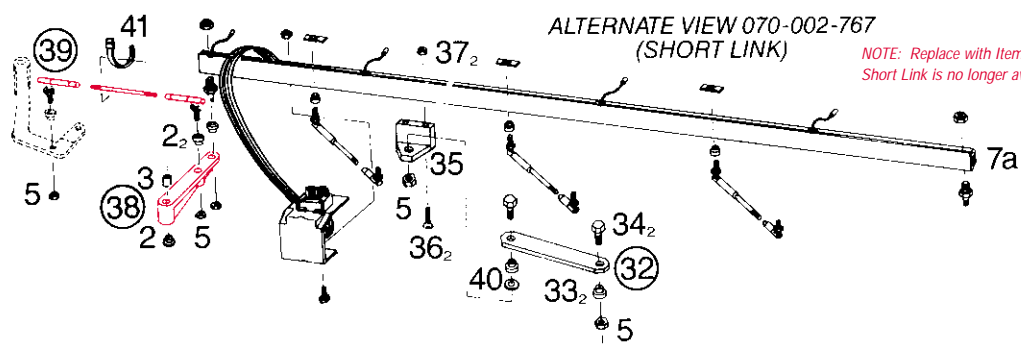
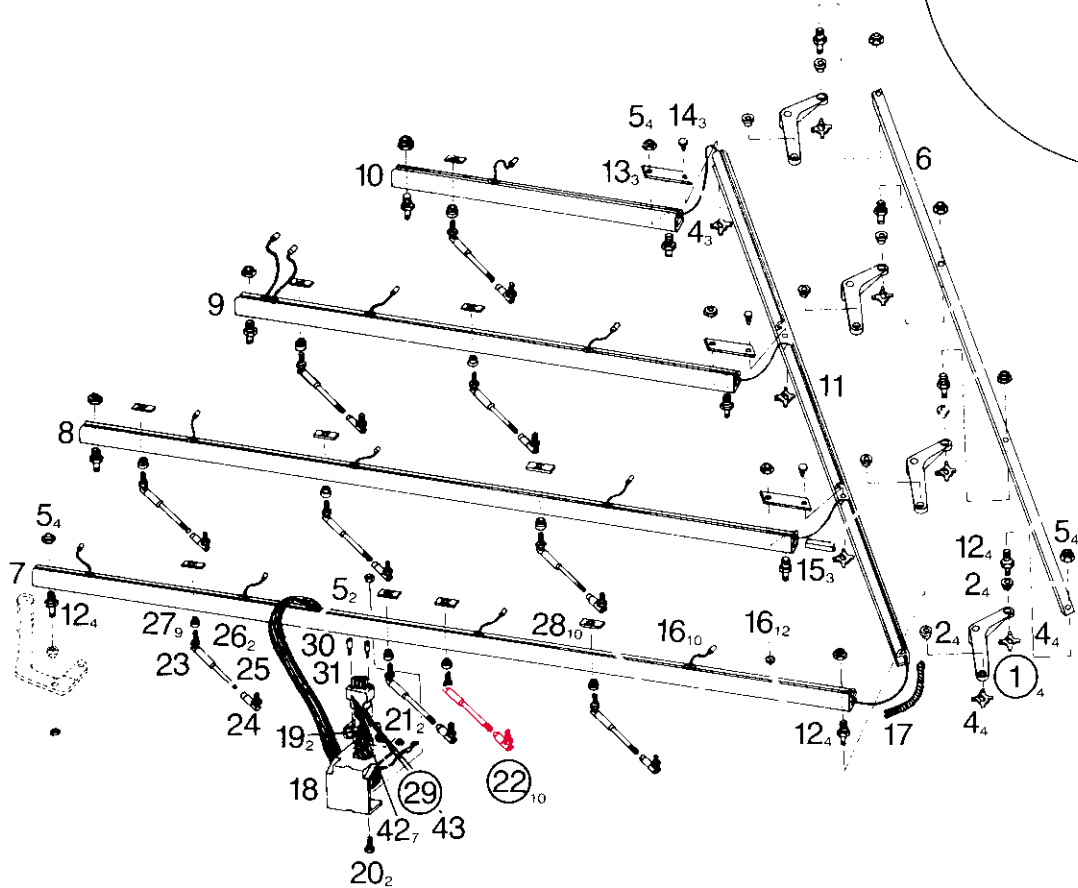
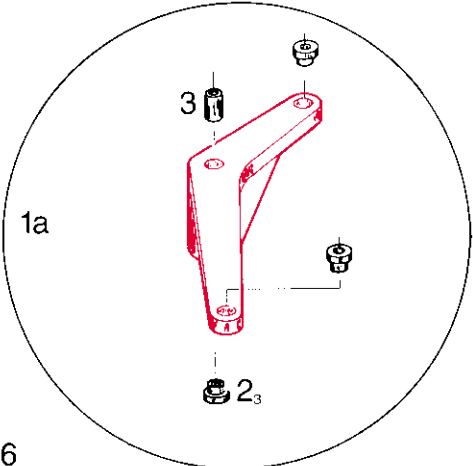
* Earlier 82-70 machines have a different yoke style. Part 070 007 755 is the newer yoke style (wider yoke).





ITEM	PART NUMBER	DESCRIPTION
1	070002684	TABLE CASTING - OBSOLETE
2	839665002BG	NUT-FLX 3/8-16 (BAG 10)
3	070007616BG	PIN-PIVOT 5/16 DIA (BAG 10)
3A	070002681BG	PIN RSPT LEVER PIVOT (BAG 10)
4	963400002BG	WASHER-X 3/16 (BAG 10)
5	070002680	LEVER RESPOT ASY
5A	070007622	LEVER RESPOT ASY
6	070002653BG	BEARING FL .252 X .315 X .38 (BAG 20)
7	963200002BG	WASHER-X 1/8 (BAG 10)
8	070006697	SWITCH ASY TABLE (SEE PG 12)
9	810239120BG	SCREW-SOC 10-24 X 3/4 (BAG 10)
10	839539002BG	NUT-FLX-TK (BAG 10)
11	070002702	STOP RESPOT
12	844049002BG	1/4-20 LOCK NUT (BAG 10)
13	070002577	STUD SPRING YOKE ASY
14	844057002BG	5/16-18 STOVER LOCKNUT (BAG 10)
19	809865125BG	SCREW-HEX 3/8-16 X 3/4 (BAG 10)
20	807357060BG	SCREW STSO 5/16-18 X 3 (BAG 10)
21	000022580	PIN STOP - OBSOLETE
22	070002732BG	SPRING (BAG 2)
23	070002734	BRKT SPRING CAM LINK
24	070002583	LINK ASY ACTUATING
25	070002715	BEARING SL .502 X .689 X 1.5
26	806249160	SCREW SQHD SET 1/4-20 X 1
27	835549002BG	1/4-20 JAM NUT (BAG 10)
28	070002733	SCREW CAM LINK TABLE
29	070002584	PIN BELL CRANK
30	809849165BG	SCREW-HEX 1/4-20 X 1 (BAG 10)
31	070002581	TIE ROD

ITEM	PART NUMBER	DESCRIPTION
32	000022738	ROD END RH
33	000022737	ROD END LH
34	835550002BG	NUT HEX JAM 1/4-28 (BAG 10)
35	835650002BG	NUT HEX JAM 1/4-25 LH (BAG 10)
36	070002728	CAM LINK BEARING ASY
37	070002727	LINK & BEARING ASY
38	070002781	BEARING NEEDLE
39	070001871	SCREW-HEX HD CAM LINK
40	070002578	LEVER ASY SPOT
41	070002816	CAM FOLLOWER
42	840066022BG	NUT-FLX-TN 3/8-24 (BAG 10)
43	070002745BG	BEARING FL .626 X .814 X 1/2
44	070002579	LEVER ASY FINGER
45	070002590	FINGER LINK
46	070001804	PIVOT WELD RESPOT
47	070001807	SPRING RESPOT FINGER
48	070002592	PIN FINGER
49	843140002BG	NUT-KEP 10-32 WASH (BAG 10)
50	913423160BG	PIN SPRING .125 X 1 (BAG 10)
51	070002585	SHAFT LEVER TBL ASY
52	070002726	SHAFT TBL ASY
53	840600002BG	NUT FLX LINK 7/8 X 14 (BAG 10)
54	809865205BG	SCREW HEX 3/8-16X1 1/4 (BAG 10)
55	701320046	BEARING TH .628 X 1 X 1/16
56	070002594	TIE ROD ASY
57	070002652BG	BEARING SL .252 X .315 X .5LG (BAG 20)
58	710501009	FITTING
59	070002596	SPRING (NOT SHOWN)
60	000021784	WASHER SLOTTED

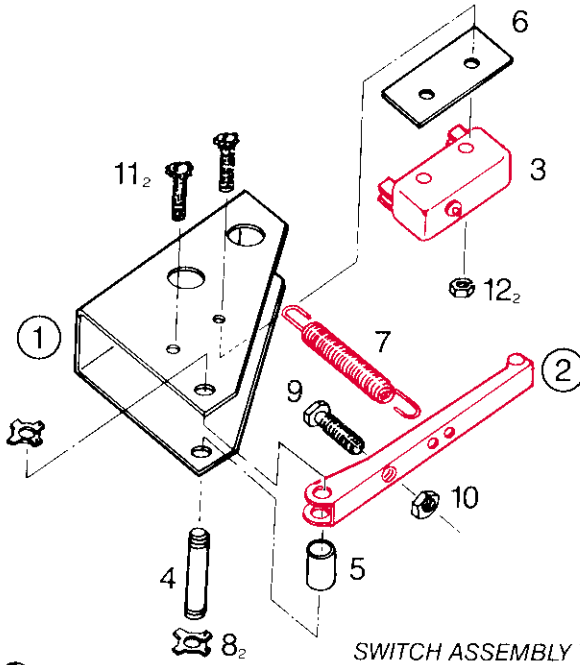


ITEM	PART NUMBER	DESCRIPTION
1	070007623	LEVER RESPOT ASSEMBLY
1A	070002678	LEVER RESPOT ASSY
2	070002653	BEARING FL .252 X .315 X .38
3	070002652	BEARING SL .252 X .315 X .5 LG
4	963200002	WASHER-X 1/8 9000-8
5	844049002	1/4-20 LOCK NUT
6	070002671	LINK RESP CONN
7*	070006669	LINK RESPOT
8	070002768	LINK-TABLE ASSEMBLY
9	070002769	LINK-TABLE ASSEMBLY
10	070002770	LINK-TABLE ASSEMBLY
11	070002766	LINK-TABLE ASSEMBLY
12	070002774	PIN
13	070002771	PLATE-TABLE
14	070002772	PIN-TABLE
15	070006308	GROMMET-TABLE ASSEMBLY - OBS
16	070002773	GROMMET-TABLE ASSEMBLY
17	770008009	SPIRAP-POLY—5 FT STRIP
18	090002538	TABLE CONNECTOR BRACKET
19	000025556	CATCH-SPG.LOCK
20	809849085	SCREW-HEX 1/4-20 X 1/2
21	834821000	4-40 HEX BRASS NUT
22	070002814	LINK ASSEMBLY
23	730036025	CLIP-SILVER

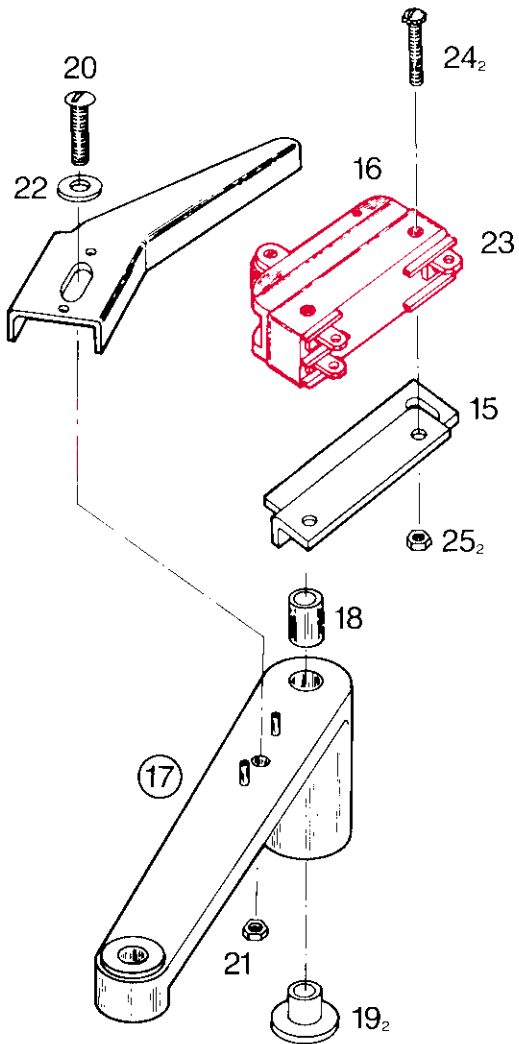
ITEM	PART NUMBER	DESCRIPTION
23A	730035025	CLIP-BALL-JOINT BRSS
24	730023015	SHELL
25	070002814	LINK ASSEMBLY
26	730027019	STUD-BALL 1/4-20
27	070002815	BEARING .252 X .318 X .307 LG
28	724507002	TIN-NUT C-160-1420
29	070005602	CBL-TABLE
30	000028442	GUIDE PIN
31	000028441	GUIDE SOCKET
32	070002582	DRIVE LINK ASSEMBLY-REAR
33	900205053	BEARING FL .315 X .44 X 5/16
34	070002619	PIN ACTUATOR SHAFT
35	610704010	TABLE CABLE REPLACEMENT KIT
36	812039162	SCREW-FLHD 10-24 X 1
37	839539002	NUT-FLX-TK *10-24 HT
38	610704010	TABLE CABLE REPLACEMENT KIT
	070006669	LINK RESPOT
39	070002813	RESPOT LINK
40	000026865	WASHER
41	770011029	TYRAP-7.31 INCH LG
42	000025079	BLOCK-TERM AMP 201355-1
43	760011197	TERM-PIN.062 DIA LP
44	610704010	TABLE CABLE REPLACEMENT KIT

* Short Link is no longer available. Use item 7 as replacement.

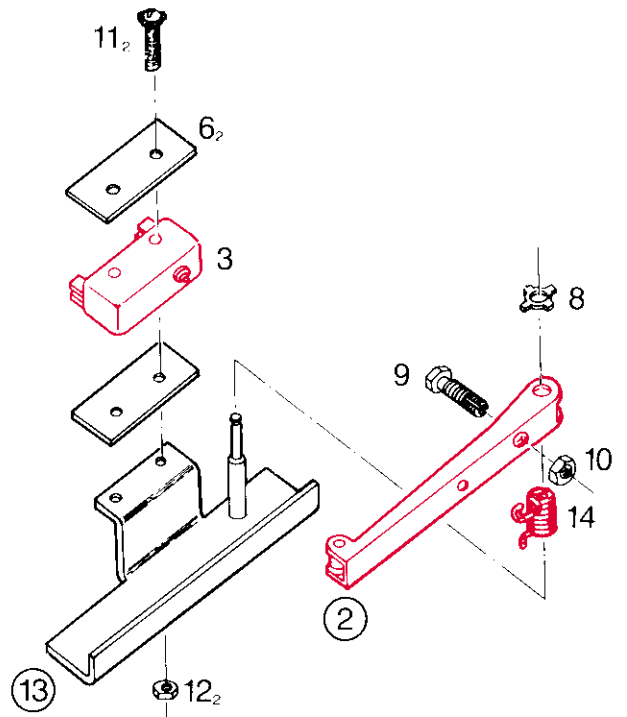




SWITCH ASSEMBLY TABLE ASSEMBLY



SWITCH & LEVER ASSEMBLY
(70 A MACHINE TO SERIAL #93200)



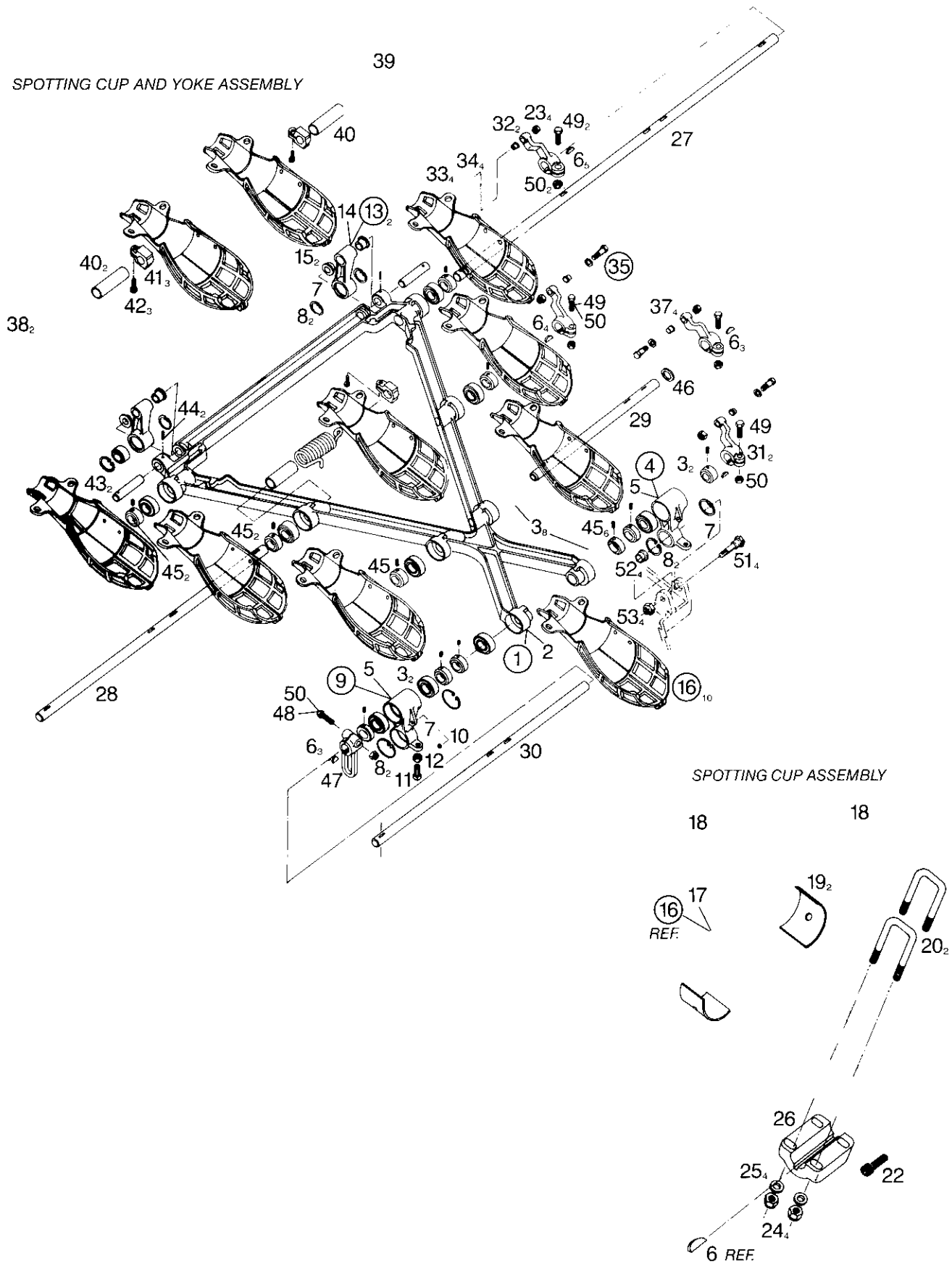
SWITCH ASSEMBLY TABLE ASSEMBLY

ITEM	PART NUMBER	DESCRIPTION
1	070006695	BRKT-SWITCH ASSEMBLY
2	000021645	LEVER ASSEMBLY-SWITCH
3	000026042	SWITCH-MICRO
4	070006693	SHAFT-SWITCH ASSEMBLY
5	070006694	SPACER-SWITCH ASSEMBLY
6	000022296	INSULATOR-SWITCH
7	000024657	SPRING
8	963200002	WASHER-X 1/8 9000-8
9	000021714	SCREW-ADJUSTING
10	835550002	NUT-HEX-JAM 1/4-28
11	818227162	SCREW-SMRD 6-32 X 1
12	839527002	NUT-FLX-TK 6-32 HT
13	070006697	SWITCH ASY - TABLE

ITEM	PART NUMBER	DESCRIPTION
14	070002762	SPRING-SWITCH.LEV-TBL - OBS
15	070006697	SWITCH ASY - TABLE
16	070006697	SWITCH ASY - TABLE
17	070002758	LEVER & BUSHING ASSEMBLY
18	070002652	BEARING SL .252 X .315 X .5 LG
19	070002653	BEARING FL .252 X .315 X .38
20	808640141	SCREW-SOC LK 10-32 X 7/8
21	843140002	NUT-KEP 10-32 WASH
22	948745082	WASHER- 7/32 X 1/2 X 1/16
23	000026247	SWITCH
24	813727162	SCREW 6-32 X 1.0 - OBS
25	838727002	NUT-HEX-ESN 6-32 LT



SPOTTING CUP AND YOKE ASSEMBLY



ITEM	PART NUMBER	DESCRIPTION
1	070002623	YOKE & BEARING ASSY
2	070002683	YOKE
3	190001490	BEARING BL .8750 X 1.875 X .5
4	070002663	LEG ASSEMBLY-FRONT RH
5	070002667	LEG-FRONT-TABLE
6	907000600	KEY-HY PRO 706
7	070002698	BEARING SR .625 X 1.562 X 7/8
8	919000700	RETAINING RING
9	070002664	LEG ASSEMBLY-FRONT LH
10	724517107	RING-COMP-TINN .315
11	806265240	SCREW-STSQ 3/8-16 X 1 1/2
12	835565002	3/8 X 16 HEX NUT - THIN
13	070002665	LEG ASSEMBLY-REAR
14	070002666	LEG ASSEMBLY-REAR
15	000023114	BEARING FL .628 X .8155 X .06
16	070002808	SPOTTING CUP ASSEMBLY
17	070002809	SPOTTING CUP
17 A	070011814	SPOTTING CUP LEXAN
18	070002784	SPOTCUP LINER
19	070002798	RETAINER-SPOTING CUP
20	070002787	BLT-U-SPOTTING CUP
22	810249200	SCREW-SOC 1/4-20 X 1 1/4
23	844049002	1/4-20 LOCK NUT
24	844057002	5/16-18 STOVER LOCKNUT
25	948761112	5/16 WROUGHT WASHER
26	070002788	CAP-SPOTTING CUP
27	070002618	SHAFT-4 YOKE ASSEMBLY

ITEM	PART NUMBER	DESCRIPTION
28	070002617	SHAFT-3 YOKE ASSEMBLY
29	070002616	SHAFT-2 YOKE ASSEMBLY
30	070002615	SHAFT-1YOKE ASSEMBLY
31	070002602	LEVER INNER YOKE
32	070002603	LEVER OUTER YOKE
33	070002723	PIN ACTUATOR SHAFT
34	701310036	BEARING TH .315 X .75 X 1/16
35	070002612	TIE LINK ASM
36	070002612	TIE LINK ASM
37	900205053	BEARING FL .315 X .44 X 5/16
38	070002688	SPRING RH
39	070002689	SPRING LH
40	070002719	SLEEVE-SPRING-YOKE
41	090004033	SPRING RETAINER
42	809849165	SCREW-HEX 1/4-20 X 1
43	070002609	PIN LEVER REAR YOKE
44	913437240	PIN-SPRNG .187 X 1 1/2
45	000025549	COLLAR 7/8 X1 1/2 X 9/16
46	070002620	SPACER YOKE ASSEMBLY
47	070002624	ARM ACT YOKE ASM
48	809865365	3/8-16 X 2-1/4 HEX HEAD SCREW
49	809865245	SCREW-HEX 3/8-16 X 1 1/2
50	839665002	NUT-FLX 3/8-16
51	070002701	PIN YOKE LEGS
52	070002573	SPACER LEG YOKE
53	840381002	NUT-FLX-TK 5/8-11

* For cracked yoke, order part 610 704 011 - Yoke Repair Kit. This kit will repair 2 yokes.

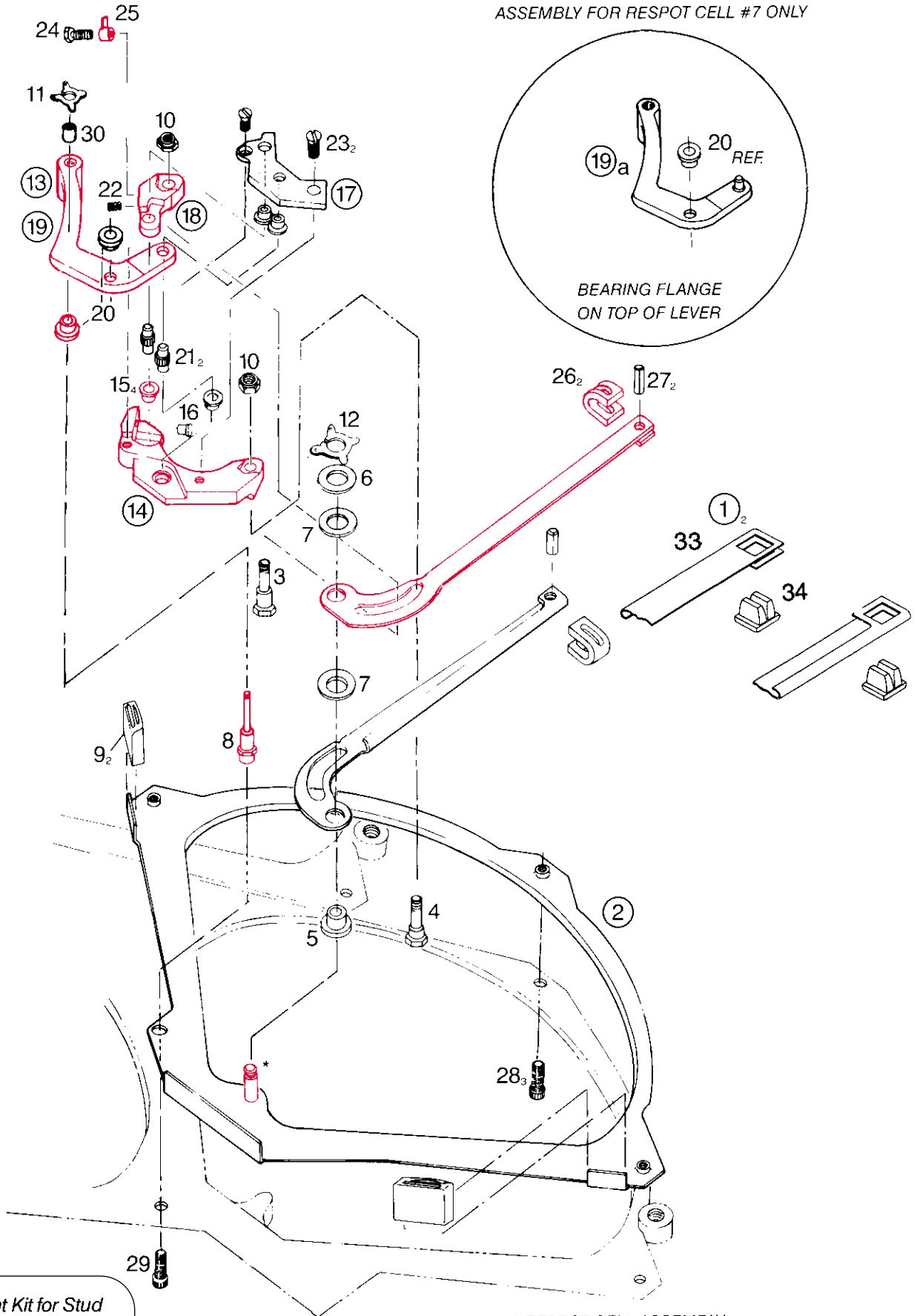
610704011 YOKE REPAIR KIT

Features:

- Quick, temporary repair of broken yoke assembly
- Requires drilling
- Keeps machine running until yoke repair can be done



ASSEMBLY FOR RESPOT CELL #7 ONLY



BEARING FLANGE
ON TOP OF LEVER

*Replacement Kit for Stud
070-002-650 Stud
840-049-002 Nut

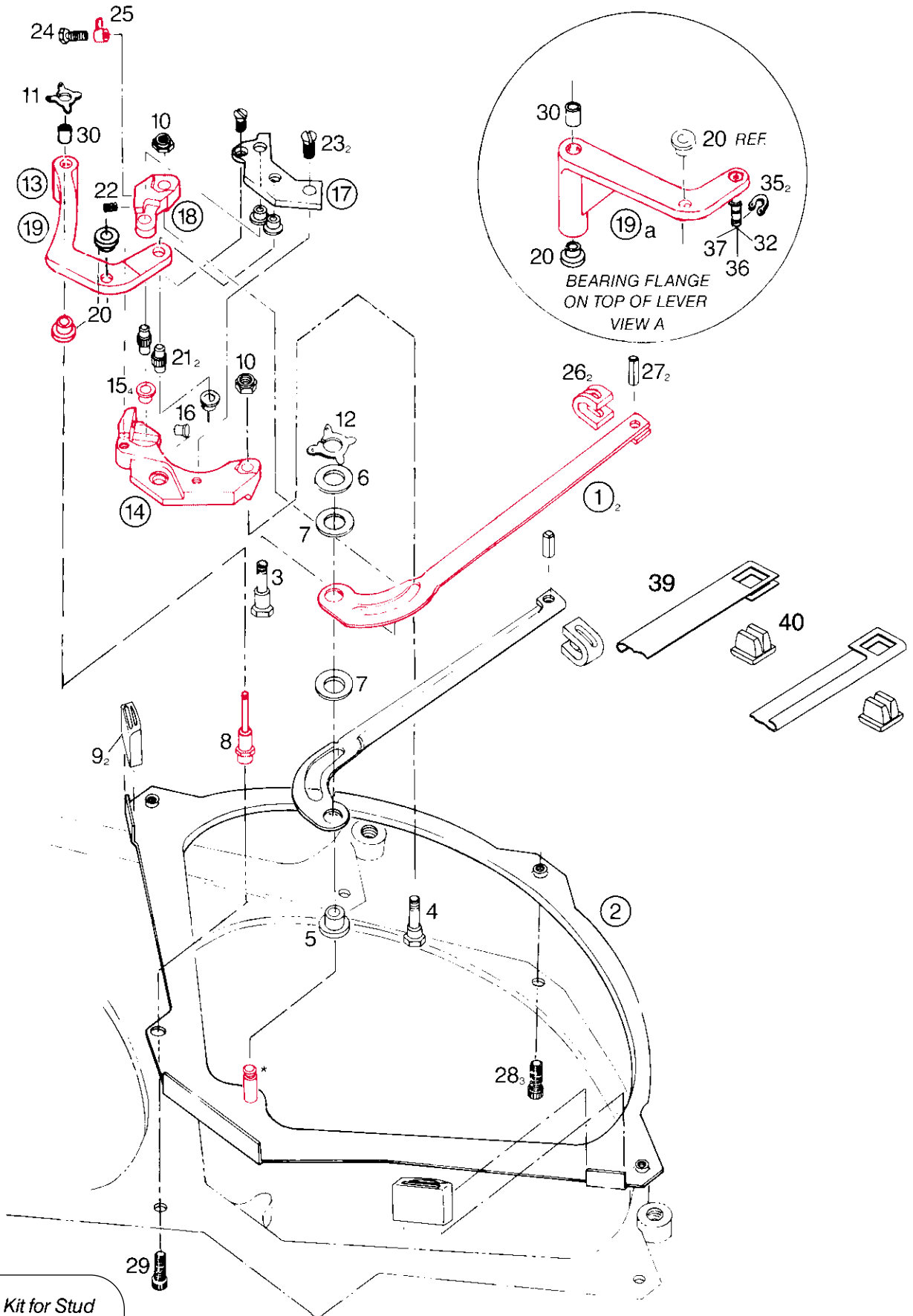
070-007-200 RESPOT CELL ASSEMBLY
SPOT CELL NO. 7 ASSEMBLY (REV. B)

ITEM	PART NUMBER	DESCRIPTION
1 *	090004123	RESPOT FINGER WITH INSERT
1A	090004123	RESPOT FINGER ASSEMBLY
2	070002792	FRAME RESPOT WELD.
3	070007194	STUD-LONG-RESPT.CELL
4	070007195	STUD-SHORT-RESPT.CEL
5	070007196	BEARING FL .252 X .485 X .560
6	070007192	WASHER-RESPOT CELL ASSEMBLY
7	070007193	SPACER-RESPOT CELL
8 **	070007617	STUD-PIVOT 5/16
8A **	070002654	PIVOT SHAFT 1/4
9	070002752	BUMPER EXTENSION
10	844049002	1/4-20 LOCK NUT
11	963400002	WASHER-X 3/16 9000-12
12	963200002	WASHER-X 1/8 9000-8
13	070002647	YOKE RESPOT ASSEMBLY
13A	070002647	YOKE RESPOT ASY
14	070002629	YOKE RESPOT ASM
15	070002630	BEARING FL .252 X .315 X .218
16	933623050	RVT-SEMI TUBLR STL
17	070002644	PLATE YOKE ASSEMBLY

ITEM	PART NUMBER	DESCRIPTION
18	070002646	ARM RES YOKE ASSEMBLY
19	070007618	LEVER RESPOT ASSEMBLY 1-9 CELL
19A	070007620	LEVER ASSEMBLY N07 CELL
20	070002653	BEARING FL .252 X .315 X .38
21	070002645	SHAFT-LEVER AY-RESPT
22	070002649	SPRING
23	070002750	SCREW-FLHD-RESPOT&YOKE
24	070002632	SCREW-ADJ-RESPOT CELL
25	070002570	INSERT YOKE ARM
26	070007197	INSERT-RESPOT-PLASTIC/ ROUND HOLE
27	913437100	PIN-SPRNG.187 X 5/8
28	808640141	SCREW-SOC LK 10-32 X 7/8
29	808640121	SCREW SOC LK 10-32 X 3/4
30	070002652	SLEEVE BUSHING
31	070006674	CELL ASSEMBLY #7 (NEW STYLE)
32	008100413	ADHSVE-3M EC1300
33	090004119	RESPOT FINGER
34	792506033	INSERT-RESPOT/ SQUARE HOLE
35	951138000	WASHER-LK-SPLIT # 10
36	610704001	RESPOT CELL FGR KIT (NOT SHOWN)

* Item 1 is new style finger with square holes. Old style finger with round holes is no longer available.
 ** With Item 8, no bushings used in boss of Item 19.
 With Item 8a, bushings are used in Boss of Item 19. 070 002 652 Sleeve Bushing.





*Replacement Kit for Stud
 070-002-650 Stud
 840-049-002 Nut

- 33 070-006-674 NO. 7 RESPOT CELL ASSEMBLY (LONG WIREWAY LINK)
- 34 070-007-199 NO. 7 RESPOT CELL ASSEMBLY (SHORT WIREWAY LINK)

ITEM	PART NUMBER	DESCRIPTION
1 *	090004123	RESPOT FINGER WITH INSERT
2	070002686	FRAME ASM 7 CELL
3	070007194	STUD-LONG-RESPT.CELL
4	070007195	STUD-SHORT-RESPT.CEL
5	070007196	BEARING FL .252 X .485 X .560
6	070007192	WASHER-RESPOT CELL ASSEMBLY
7	070007193	SPACER-RESPOT CELL
8 **	070002685	SHAFT-PIVOT 7 CELL 5/16
8A **	070002654	PIVOT SHAFT 1/4
9	070002752	BUMPER EXTENSION
10	844049002	1/4-20 LOCK NUT
11	963100002	WASHER-X 3/32 9000-6
12	963200002	WASHER-X 1/8 9000-8
13	070006677	RESPOT YOKE ASSY - OBS
13A	070002642	YOKE RESPOT ASSEMBLY 7
14	070002629	YOKE RESPOT ASM
15	070002630	BEARING FL .252 X .315 X .218
16	933623050	RVT-SEMI TUBLR STL
17	070002644	PLATE YOKE ASSEMBLY
18	070002646	ARM RES YOKE ASSEMBLY
19	070006673	LEVER RESPOT ARM W/I
19A	610704026	KIT-#7RESPT LVR ASSEMBLY

ITEM	PART NUMBER	DESCRIPTION
20	070002653	BEARING FL .252 X .315 X .38
21	070002645	SHAFT-LEVER AY-RESPT
22	070002649	SPRING
23	070002750	SCREW-FLHD-RESPOT&YOKE
24	070002632	SCREW-ADJ-RESPOT CELL
25	070002570	INSERT YOKE ARM
26	070007197	INSERT-RESPOT-PLASTIC/ ROUND HOLE
27	913437100	PIN-SPRNG.187 X 5/8
28	808640141	SCREW-SOC LK 10-32 X 7/8
29	808640121	SCREW SOC LK 10-32 X 3/4
30	070002652	BEARING SL .252 X .315 X .5 LG
31	008100413	ADHSVE-3M EC1300
32	070008154	PIN-PIVOT N07 CELL
33	070006674	CELL ASSEMBLY #7 (NEW STYLE)
34	070007199	RESPOT CELL ASSEMBLY #7(OLD STYLE)
35	919010200	RING-RET. 5133-25
36	835558002	NUT-HEX-JAM 5/16-24
37	070002531	WASHER RESPOT
38	951138000	WASHER-LK-SPLIT # 10
39	090004119	RESPOT FINGER
40	792506033	INSERT-RESPOT/ SQUARE HOLE
41	610704001	RESPOT CELL FGR KIT

* Item 1 is new style finger with square holes. Old style finger with round holes is no longer available.
 ** With Item 8, no bushings used in boss of Item 19.
 With Item 8a, bushings are used in Boss of Item 19. 070 002 652 Sleeve Bushing.

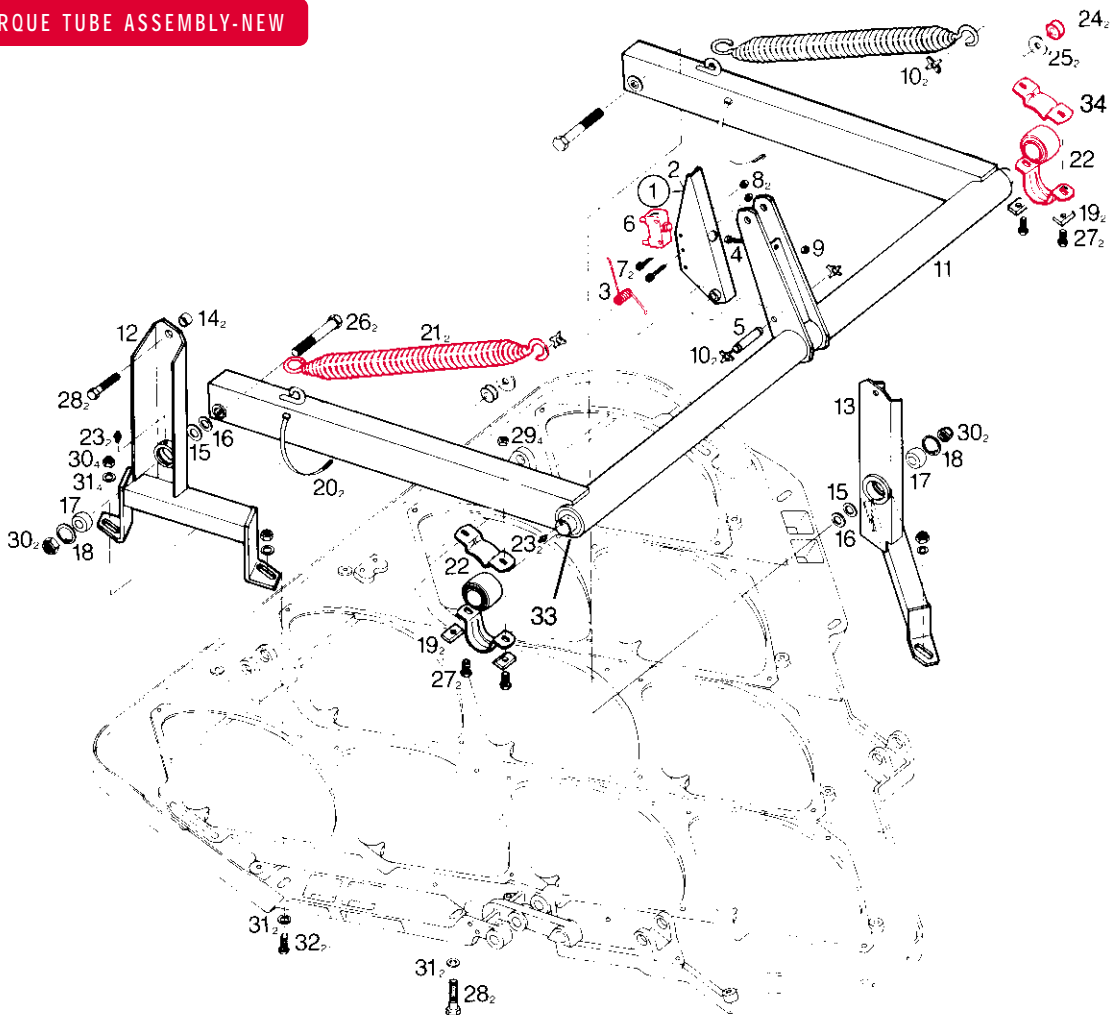
610704103 SPRING ROLLER PIN REPAIR KIT

Features:

- Use this kit if the original Stud breaks off
- Special Replacement stud with nut
- Comes with full instructions

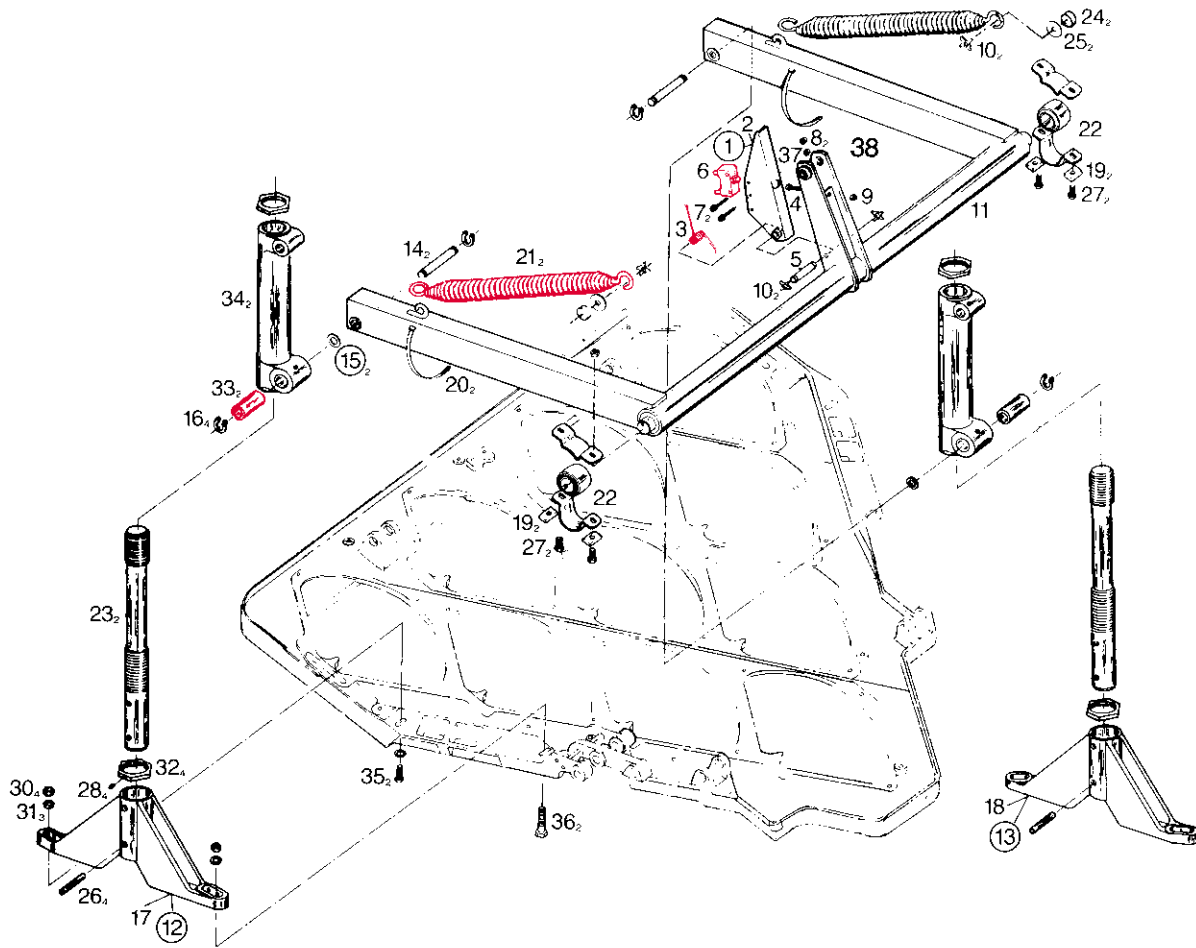
NOTE: SPRING ROLLER PIN REPAIR KIT PART NUMBER ON PAGE 20-21





ITEM	PART NUMBER	DESCRIPTION
1	070001852	LEVER TABLE ARM
2	070001852	LEVER TABLE ARM
3	070001853	SPRING
4	070001854	SCREW-ADJUSTING
5	070001591	PIN-HOOK SPOT
6	000026042	SWITCH-MICRO
7	818227202	SCREW-SMRD 6-32X1 1/4
8	843127002	NUT-KEP 6-32 WASH
9	839549002	NUT-FLX-TK 1/4-20 HT
10	963400002	WASHER-X 3/16 9000-12
11	610704003	TORQ TUBE CONVERSION KIT
12	070007296	TABLE SUPPORT ASSYLH
13	070007295	TABLE SUPPORT ASSYRH
14	070007303	SPACER-FRONT END
15	070007302	SPACER-FRONT END
16	070007752	SPACER
17	070002698	BEARING SR.625X1.562X7/8
18	919000700BG	RING - RET (BAG 10)
19	070008182	BLOCK-BEARING

ITEM	PART NUMBER	DESCRIPTION
20	770011010	TYRAP 14.19 INCH LG
21	000022782	SPRING COUNTER BAL
22	000022811	PILLOW BLOCK
23	710501009	FITTING-ALMTE *3006
24	070001668	ROLLER-SPRING
24A	090003795	ROLLER-PLASTIC
25	945867242	WASHER-13/32X1 1/2
26	809881640	SCREW-HEX HDCAP5/8-11X4
27	809865245	SCREW-HEX 3/8-16X1 1/2
28	809869325	SCREW-HEX HDCAP7/16-14X2
29	840065002	NUT-FLX-TN 3/8-16
30	844081002	NUT-STVR-LK 5/8-11
31	949100002	WASHER-59/64X15/32
32	809869245	SCREW-HEX 7/16-14X1 1/2
33	000023646	SHIM YOKE
34	030003938	STRAP PILLOW BLOCK
35	612070012	COUNTERBALANCE SPRING EYE REPAIR KIT
NOT SHOWN	610704103	SPRING ROLLER PIN REPAIR KIT
	000021784	PACMAN WASHER/ SLOT WASHER

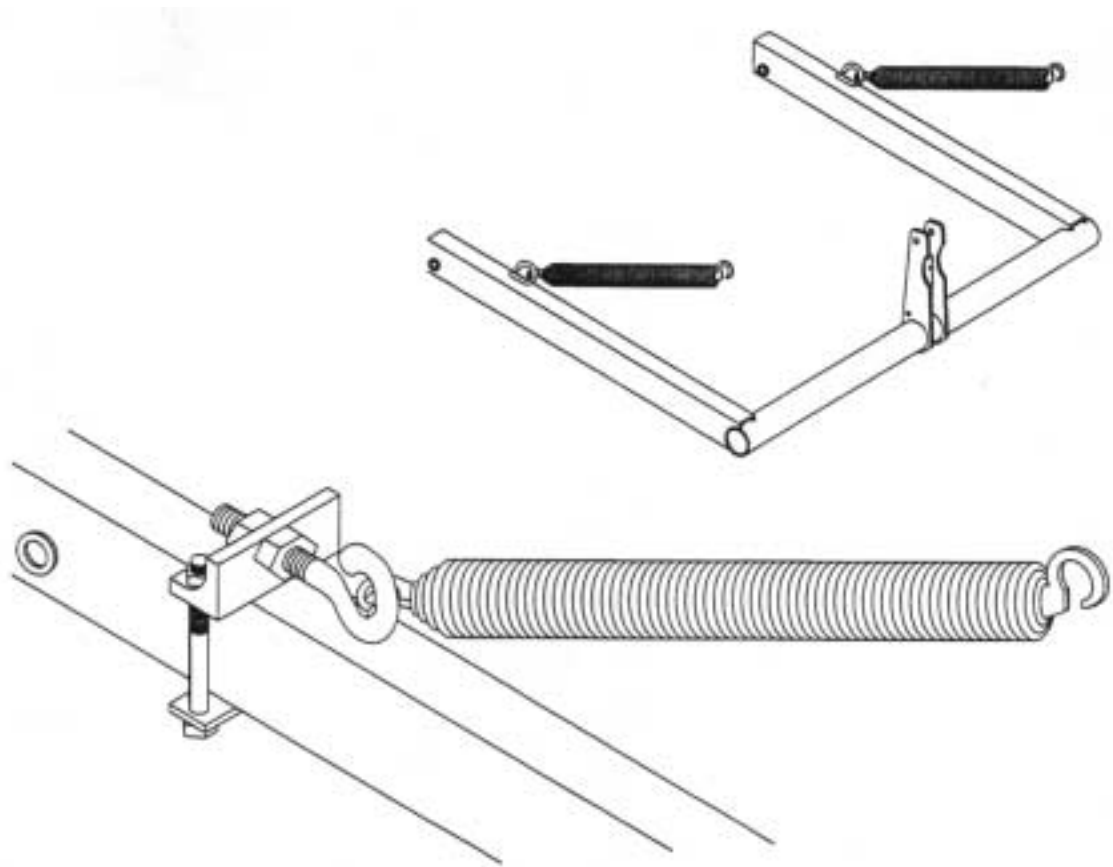


ITEM	PART NUMBER	DESCRIPTION
1	070001852	LEVER TABLE ARM
2	070001852	LEVER TABLE ARM
3	070001853	SPRING
4	070001854	SCREW ADJUSTING
5	070001591	PIN-HOOK SPOT
5A	880457240	SCREW SHLD 3/8X1 - OBS
5B	839057002	NUT HEX ESN TM 5116-18
6	000026042	SWITCH MICRO
7	818227202	SCREW SMRD 6-32X1 1/4
8	843127002	NUT-KEP 6-32 WASH
9	839549002	NUT-FLX-TK 1/4-20 HT
10	963400002	WASHER-X 3/16 9000-12
11	610704003	TORQUE TUBE CONVERSION KIT
12	070007296	TABLE SUPPORT ASSEMBLY LH
	070007295	TABLE SUPPORT ASSEMBLY RH
13	070007296	TABLE SUPPORT ASSEMBLY LH
	070007295	TABLE SUPPORT ASSEMBLY RH
14	070001583	PIN-FRONT END ASY
15	070007302	SPACER FRONT END
16	919010700BG	RING - RET (BAG 10)
17	070007296	TABLE SUPPORT ASSEMBLY LH
	070007295	TABLE SUPPORT ASSEMBLY RH
18	070007296	TABLE SUPPORT ASSEMBLY LH
	070007295	TABLE SUPPORT ASSEMBLY RH

ITEM	PART NUMBER	DESCRIPTION
19	070008182	BLOCK BEARING
20	770011010	TYRAP 14.19 INCH LONG
21	000022782	SPRING COUNTER BAL
22	000022811	PILLOW BLOCK
23	070007296	TABLE SUPPORT ASSEMBLY LH
	070007295	TABLE SUPPORT ASSEMBLY RH
24	070001668	ROLLER-SPRING
25	945867242	WASHER-13/32X1 1/2
26	913456320	PIN-SPRING .312X2
27	809865245	SCREW-HX 3/8-16X1 1/2
28	070001909	SCREW-SET-NYLON TIP
29	840065002	NUT-FLX TN 3/8-16
30	844069002	NUT SVR-LK 7/16-14
31	949100002	WASHER 59/64-15/32-1/16
32	070007296	TABLE SUPPORT ASSEMBLY LH
	070007295	TABLE SUPPORT ASSEMBLY RH
33	900110403	BRG SL .628X2 1/2 LG
34	070007296	TABLE SUPPORT ASSEMBLY LH
	070007295	TABLE SUPPORT ASSEMBLY RH
35	809869365	SCR-HX 7/16-14X2 1/4
36	809869445	SCR-HX 7/16-14X2 3/4
37	070001924	BRG-FL .753X.9395X.58
38	070001926	PIN



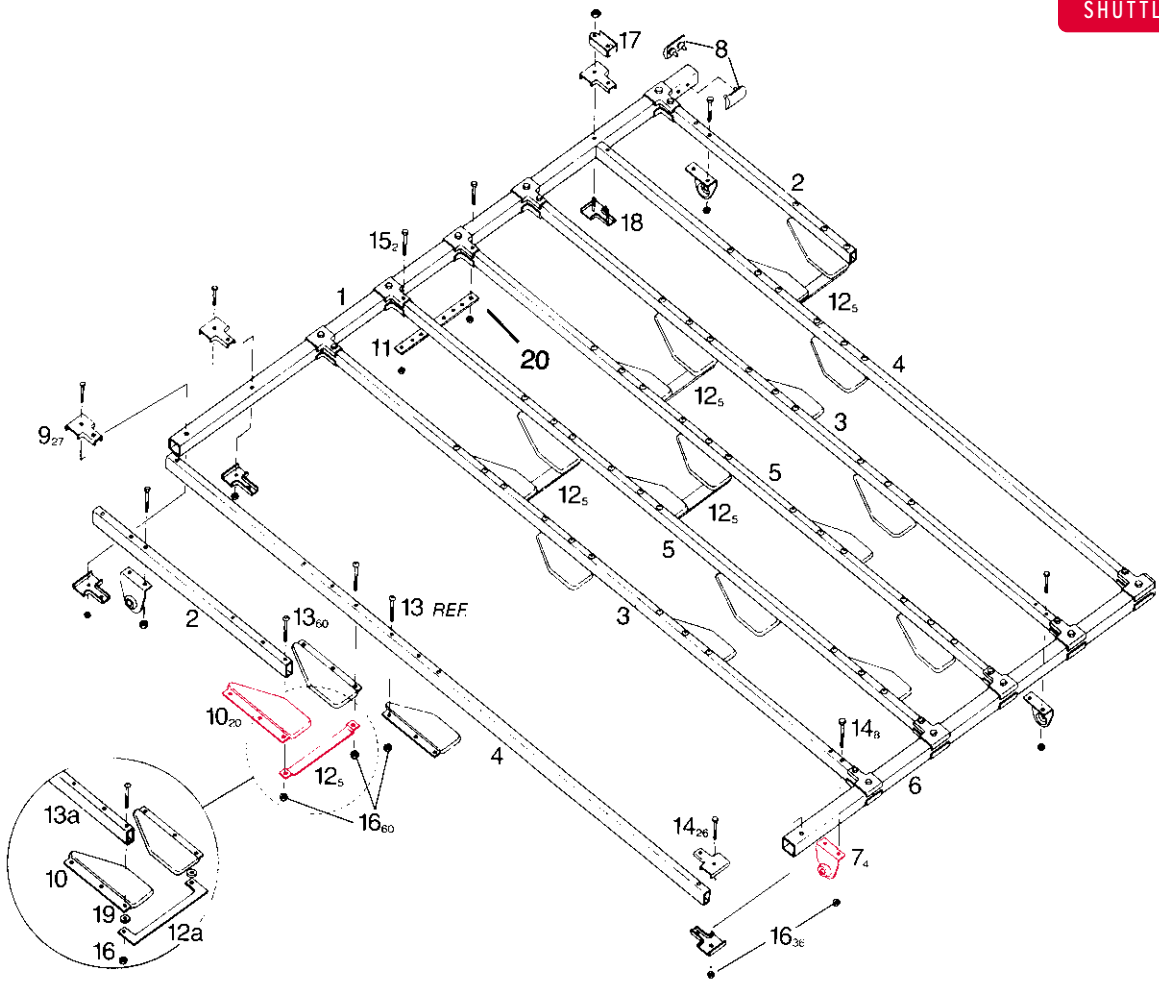
Note: Items 17, 18, 34 and related assemblies are no longer available. Order 070007295 and 070007296 table supports.



612070012 COUNTER BALANCE SPRING EYE REPAIR KIT

Includes:

- (1) Angle Bracket
 - (1) Flat Bracket
 - (2) 1/4" - 20 x 3-3/4" Hex Bolts
 - (2) 1/4" - 20 Stover Lock Nuts
 - (2) 3/8" - 16 Hex Jam Nuts
 - (1) 3/8" - 16 x 3-1/2" Eyebolt
- Quick solution for broken spring hooks on the table torque tube
 - A simple, strong and neat fix
 - Installs quickly and easily - no welding or drilling
 - An economical way to extend the life of equipment



ITEM	PART NUMBER	DESCRIPTION
1	070006253	TUBE-CROSS LONG-BIN
2	070006254	TUBE-SIDE SHORT-BIN
3	070006255	TUBE-SIDE LONG-BIN
4	070006256	TUBE-OUTSIDE-BIN
5	070006257	TUBE-CENTER-BIN
6	070006258	TUBE-CROSS SHORT BIN
7	070006259	BRKT-ARM-SHUTLE ASSEMBLY
8	070006260	BUMPER-COUNTER-BIN
9	070006261	CLAMP-END-BIN
10	070006265	PIN HOLDER

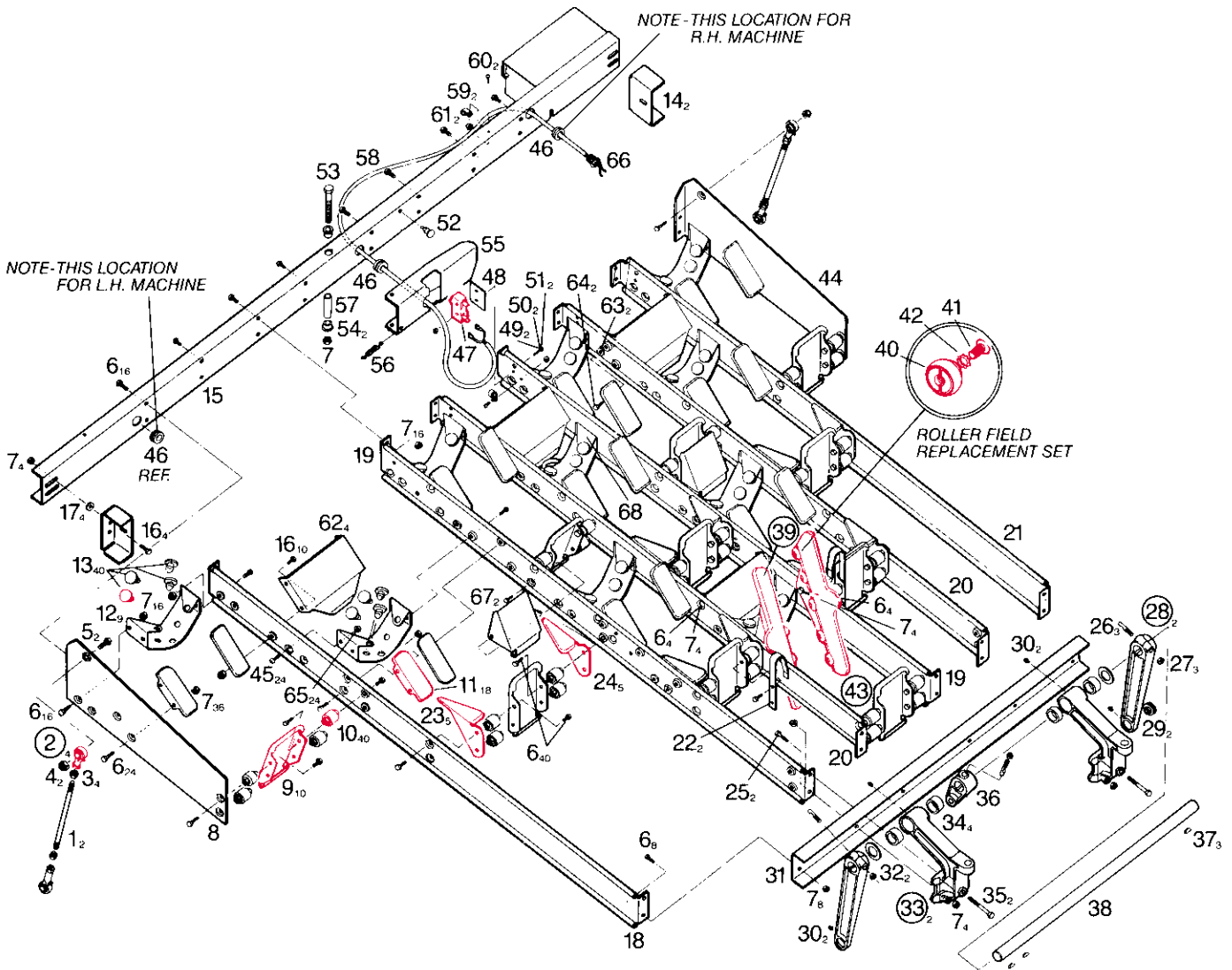
ITEM	PART NUMBER	DESCRIPTION
11	070006266	STRAP-SPRING-BIN
12	070006268	STRAP-BIN-SHUTLE ASSEMBLY
12A*		STRAP-BIN-SHUTLE ASSEMBLY (NO LONGER AVAILABLE)
13	808549240	SCREW-SOBT1/4-20 X 1 1/2
13A	809849325	1/4-20 X 2 CAP SCREW
14	809849245	SCREW-HEX 1/4-20 X 1 1/2
15	809849285	SCREW-HEX 1/4-20 X 1 3/4
16	844049002	1/4-20 LOCK NUT
19	070006390	SPACER
20	070006447	SPRING-SHUTLE ASSEMBLY

070006265 PIN HOLDER

Features:

- Made of original material
- Will not hold the pin like urethane
- Exceptional long wear





ITEM	PART NUMBER	DESCRIPTION
1	070006351	ROD-BIN ASSEMBLY
2	000026446	ROD END
2A	090005250	ROD END
3	835566002	3/8-24 HEX STL THIN NUT
4	844065002	NUT-STVR 3/8-16
5	809865165	SCREW-HEX 3/8-16 X 1
6	809849085	SCREW-HEX 1/4-20 X 1/2
7	844049002	1/4-20 LOCK NUT
8	070006370	GUIDE-PIN-LH-BIN ASSEMBLY
9	070006364	SPACER-BUT GUIDE-BIN
10	070006354	SHOCK MOUNT-BIN ASSEMBLY
11	070006353	GUIDE-PIN-BIN ASSEMBLY
12	070006359	BRKT-BIN ASSEMBLY
13	000021992	BUMPER-GROMMET #2250
14	070006371	BRKT-SUPT-BIN ASSEMBLY
15	070006360	CHANNEL LONG WELDMENT
16	809849125	SCREW-HEX 1/4-20 X 3/4
17	948753102	WASHER-9/32 X 5/8 X 1/16
18	070006377	STRINGER 4 PIN L.H.
19	070006372	STRINGER CTR RH
20	070006373	STRINGER #1 PIN LH
21	070006376	STRINGER-OUTSIDE RH
22	070006389	GUIDE-PIN 1
23	070006381	GUIDE-PIN 6-BIN ASSEMBLY
24	070006380	GUIDE-PIN 4-BIN ASSEMBLY
25	809849285	SCREW-HEX 1/4-20 X 1 3/4
26	070006403	STUD-CLAMP-BIN ASSEMBLY
27	831565002	3/8-16 HEX STEEL MACHINE NUT
28	070006429	ARM CSTG ASSEMBLY LH & RH
29	000029614	HEIM UNIBAL
30	710501007	FITTING-ALMTE 1792B
31	070006363	CHANNEL-SHORT
32	701329050	BEARING TH .8905 X 1.5 X 1/8
33	070006358	BRKT ASSEMBLY-BIN ASSEMBLY
34	900114101	BEARING SL .877 X 1.128 X 5/8

ITEM	PART NUMBER	DESCRIPTION
35	809849485	SCREW-HEX 1/4-20 X 3
36	070006408	LEVER-BIN ASSEMBLY
37	907000600	KEY-HY PRO 706
38	070006402	SHAFT-BIN ASSEMBLY
39	070006386	TRACK ASSY L H
40	000026251	BEARING RESPOT CELL
41	813540082	SCREW-TRHD 10-32 X 1/2 CD
42	957100002	#10 EXT TOOTH LOCKWASHER. PLTD
43	070006388	TRACK ASSY R H
44	070006369	GUIDE-PIN RH-BIN ASSEMBLY
45	808549080	1/4-20 X 1/2 HEX SCKT BUTHD CAP
46	711516020	GRMT-ATL 1/2ID *2861
47	000026043	SWITCH-MICRO
48	000021575	INSULATOR
49	818227162	SCREW-SMRD 6-32 X 1
50	843127002	NUT-KEP 6-32 WASH
51	948631062	WASHER #6 SAE FLAT WASHER
52	070006142	BUMPER
53	809849605	SCREW-HEX 1/4-20 X 3 3/4
54	900206091	BEARING FL. (.562 X .688 X .378)
55	070006356	SWITCH ACTUATOR-BIN
56	000022168	SPRING SWEEP BRAKE
57	070006108	SPACER-ROLER AY-DIST
58	070006272	SWITCH CABLE ASSM
59	744203014	CLAMP-BURNDY HP-6N
60	818233082	SCREW-SMRD 8-32 X 1/2
61	843133002	NUT-KEP 8-32 WASH
62	070006366	SPACER-GUIDE PIN HED
63	070006390	SPACER
64	809849165	SCREW-HEX 1/4-20 X 1
65	840049002	NUT FLEX 1/4-20
66	746001016	CNECTR-STR #3302 1/2
67	070006365	SPACER-HEAD GUID.BIN
68	070006384	BRKT-PIN 5

070006354 BIN SHOCK MOUNT

Features:

- Encapslated inserts
- Soft rubber
- Max deflection-good absorption
- Extends life of runners and pin butts
- Nut is inside which prevents it from breaking off

610700150 SWEEP BAR FOR 2 MACHINES

Features:

- Single piece construction, virtually unbreakable
- Lighter than old multi-piece type sweep

NOTE : SWEEP BAR, SWEEP BRACKET AND SWEEP SHOCK MOUNT LOCATED ON PAGE 26

000023170 & 000023171 SWEEP BRACKET RH & LH

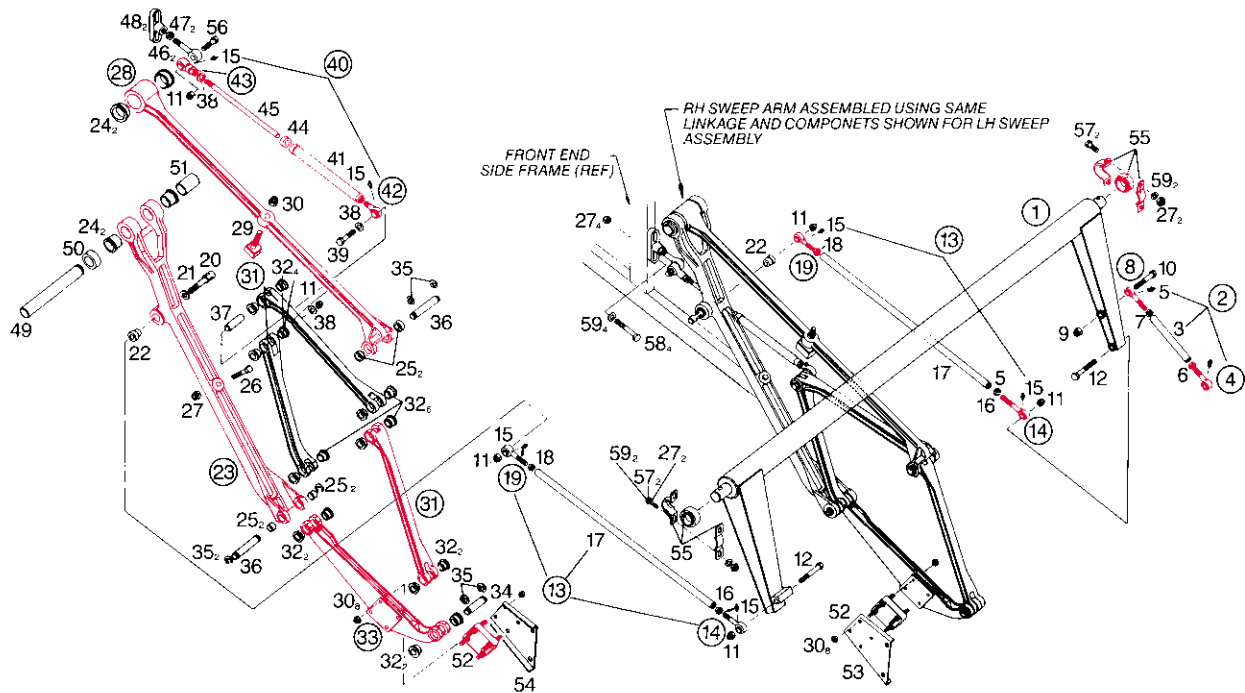
Features:

- 10 gauge steel/metal
- Redesigned cross section to 1.4" wide
- Optimizes weight to strength
- Minimizes stress on bushings, shock mounts and motor load

070003195 & 090006136 SWEEP SHOCK MOUNT

Features:

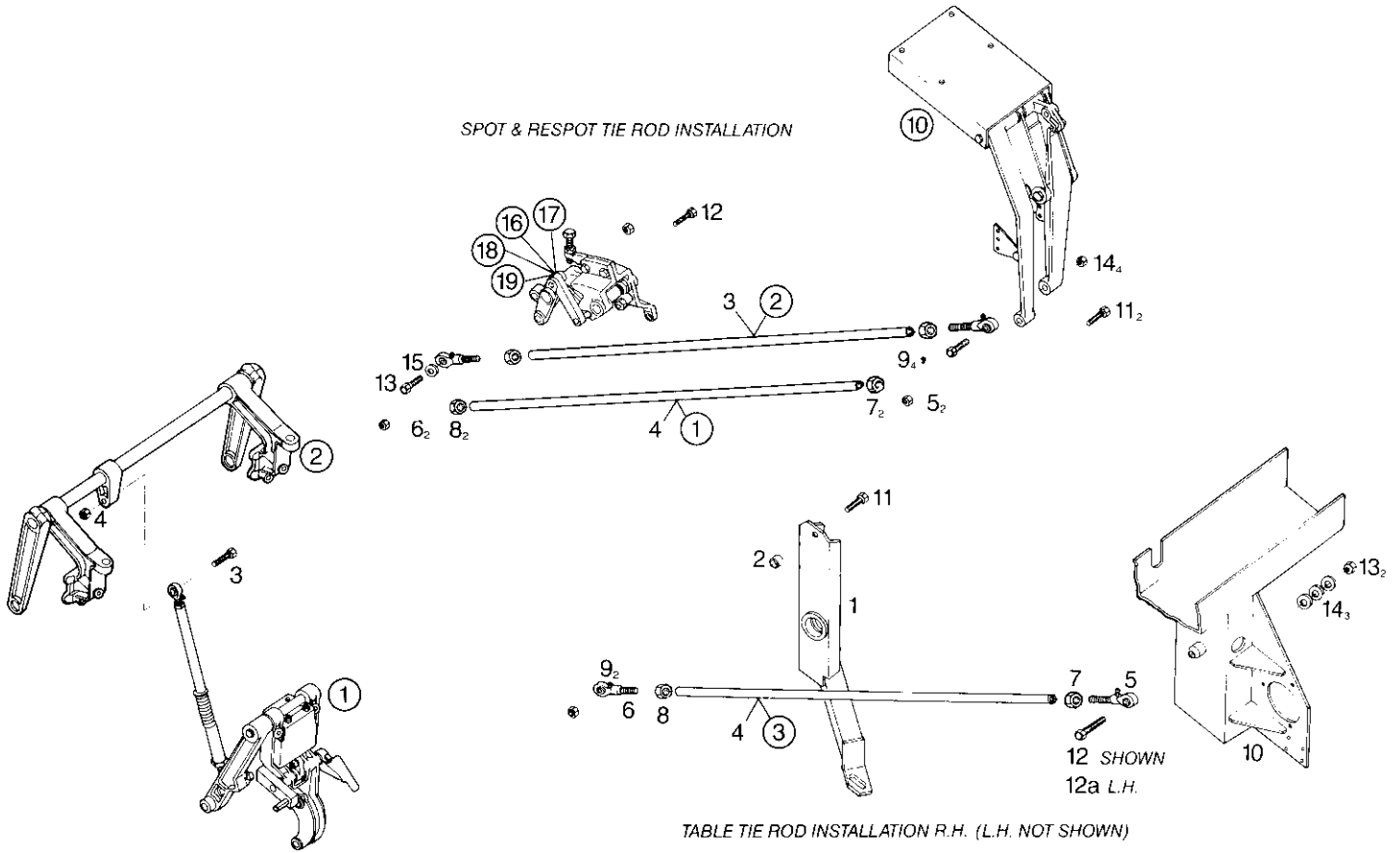
- 3-holes drilled in plates on both sides which makes it resistant to tearing
- Flexible enough to prevent damage to the sweep links
- Rubber is inside the plate



ITEM	PART NUMBER	DESCRIPTION
1 *	610700156	C90 TO 82/70 SWEEP ROCKER ARM REPLACEMENT KIT
1A	090004010	SWEEP ROCKER ARM
2	070003162	CNECT ROD ASSEMBLY MTR
3	070003159	TUBE-MOTOR ROD
4	090005260	END FITTING RH
5	710501013	GREASE FITTING
6	835574002	NUT-HEX-JAM 1/2-20 CD
7	835674002	NUT-HEX-JAM 1/2-20 LH
8	090005261	END FITTING - LH
9	844073002	1/2-13 STOVER LOCKNUT - OBS
10	070003245	SCREW-ROCK.ARM-SWEP.LK
11	844069002	NUT-STVR-LK 7/16-14
12	809869365	SCREW-HEX 7/16-14 X 2-1/4
13	090005254	DR LINK CONN ROD ASY
14	000025004	END FITTING RH
14A	090005261	END FITTING - LH
15	710501013	GREASE FITTING
16	835570002	NUT-HEX-JAM 7/16-20HY
17	070003116	TUBE DR LINK CON ROD
18	835670002	NUT-HEX-JAM 7/16-20LH
19	000025005	END FITTING LH
19A	090005265	END FITTING LH
20	070003231	PIN BEARING
21	070003117	SPACER DRIVE LINK
22	070003234	BEARING FL .437 X .75 X .62 LG
23	070003158	LINK-DRIVE ASSEMBLY-SWEEP
24	000023104	BEARING FL 1.25 X 1.5 X .953
25	000023105	BEARING-SLV .628 X .815 X .396
26	070003221	SCREW-SWEEP LINK ASSEMBLY
27	839665002	NUT-FLX 3/8-16
28	070003238	LINK ASSEMBLY-SWP STAB.
29	000023279	BUMPER-URETHANE

ITEM	PART NUMBER	DESCRIPTION
30	844057002	5/16-18 STOVER LOCKNUT
31	090007319	LINK ASSEMBLY SWEEP
32	000023114	BEARING FL .628 X .8155 X.06
33	070003184	SUPPORT-LINK ASSEMBLY-SWP
34	070003189	PIN-BEARING.SWEEP LINK
35	919010700	RING-RET. 5133-62
36	070003103	PIN-BEARING.SWEEP LINK
37	070003173	BEARING SL .438 X .624 X 2 "LG"
38	949100002	WASHER-59/64 X 15/32
39	070003235	SCREW-SWEEP LK. 7/16-14
40	070007280	SWEEP LINK ASSEMBLY TELES
41	070007278	TUBE WELD LINK ASSY
42	070007281	ROD END LINK ASSEMBLY
43	070007282	ROD END LINK ASSEMBLY
43A	090005257	ROD END MALE
44	070007283	BUMPER LINK ASSEMBLY
45	070007276	ROD LINK ASSEMBLY
46	070003223	LINK-THREADED-SWEEP
47	835582002	5/8-18 UNF HEX THIN NUT- PLTD
48	070003222	BRKT-SHOCK MOUNTING
49	070003106	SHAFT MAIN PIVOT
50	070003233	SPACER-SWEEP LINK LH
51	070003232	SPACER-LONG SWP LK L
52	070003195	SHOCK MOUNT
52A	090006136	SHOCK MOUNT- 90S/8800S
53	070003190	BRKT-SHOCK RH-SWEEP
54	070003191	BRKT-SHOCK LH-SWEEP
55	000022811	PILLOW BLOCK
56	809869405	SCREW-HEX 7/16-14 X 2-1/2
57	809865285	SCREW-HEX 3/8-16 X 1-3/4
58	809865565	SCREW-HEX 3/8-16 X 3-1/2
59	948761112	5/16 WROUGHT WASHER
60	804557731	U-BOLT 5/16-18 X 4.440

* Kit includes all bushings and hardware to replace 070 003 132 - Rocker Arm.

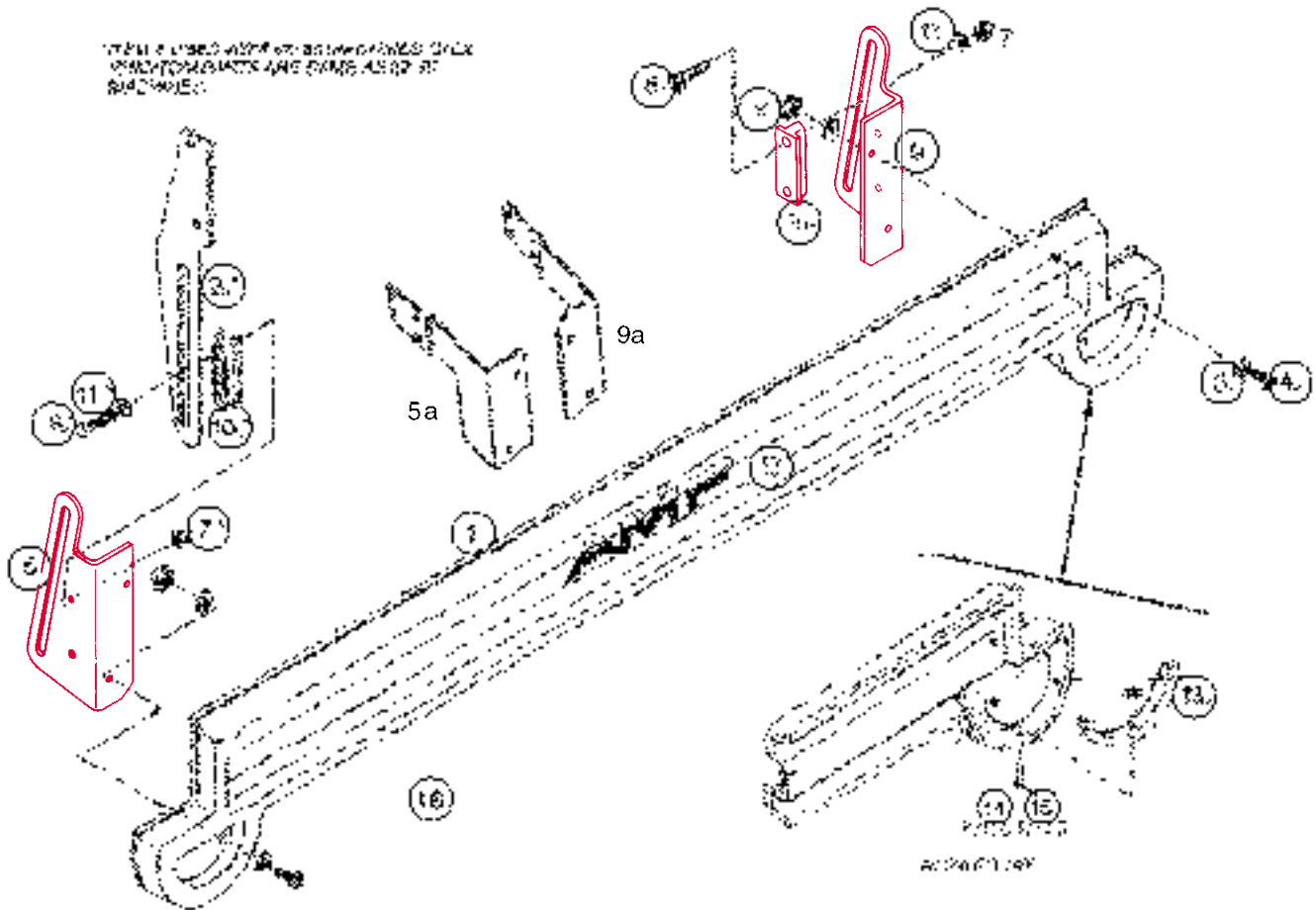


CONNECTING ROD INSTALLATION

ITEM	PART NUMBER	DESCRIPTION
SPOT & RESPOT TIE ROD INSTALLATION		
1	070001601	TIE ROD ASSEMBLY-RESPOT
1A	090005251	TIE ROD ASSY RESPOT
2	090005252	TIE ROD ASY-SPOTTING
3	070001607	TIE ROD SPOT
4	070001606	TIE ROD RESPOT
5	000025004	END FITTING RH
5A	090005264	END FITTING RH
6	000025005	END FITTING LH
6A	090005265	END FITTING LH
7	835570002	NUT-HEX-JAM 7/16-20HY
8	835670002	NUT-HEX-JAM 7/16-20LH
9	710501013	GREASE FITTING
10	070006499	SPOT&RESPOT LINK ASSEMBLY - OBS
11	809869365	SCREW-HEX 7/16-14 X 2 1/4
12	809869245	SCREW-HEX 7/16-14 X 1 1/2
13	809869285	SCREW-HEX 7/16-14 X 1 3/4
14	844069002	NUT-STVR-LK 7/16-14
15	949100002	WASHER-59/64 X 15/32
16	070002578	LEVER ASSEMBLY SPOT
17	070002727	LINK & BEARING ASSEMBLY
18	070002728	CAM LINK BEARING ASSEMBLY
19	070002595	FINGER LINK ASSEMBLY - OBS

ITEM	PART NUMBER	DESCRIPTION
TABLE TIE ROD INSTALLATION		
1	070007295	TABLE SUPPORT ASSY RH
1A	070007296	TABLE SUPPORT ASSY LH
2	070007303	SPACER-FRONT END
3	090005253	TIE ROD ASY-SPOTTING
4	070001557	TIE ROD
5	000025004	END FITTING RH
5A	090005264	END FITTING RH
6	000025005	END FITTING LH
6A	090005265	END FITTING LH
7	835570002	NUT-HEX-JAM 7/16-20RY
8	835670002	NUT-HEX-JAM 7/16-20LH
9	710501013	GREASE FITTING
10	070006399	WELD-CROSS BEAM - OBS
11	809869325	SCREW-HEXHD 7/16-14 X 2
12	809869445	SCREW-HEX 7/16-14 X 2 3/4
12A	809869365	SCREW-HEX 7/16-14 X 2 1/4
13	844069002	NUT-STVR-LK 7/16-14
14	949100002	WASHER-59/64 X 15/32

ITEM	PART NUMBER	DESCRIPTION
CONNECTING ROD INSTALLATION		
1	070006495	SOLENOID SHUTTLE ASSEMBLY
2	070006350	BIN ASSEMBLY - OBS
3	809865245	SCREW-HEX 3/8-16 X 1 1/2
3A	090005253	TIE ROD ASSY
4	840065002	NUT-FLX-TN 3/8-16



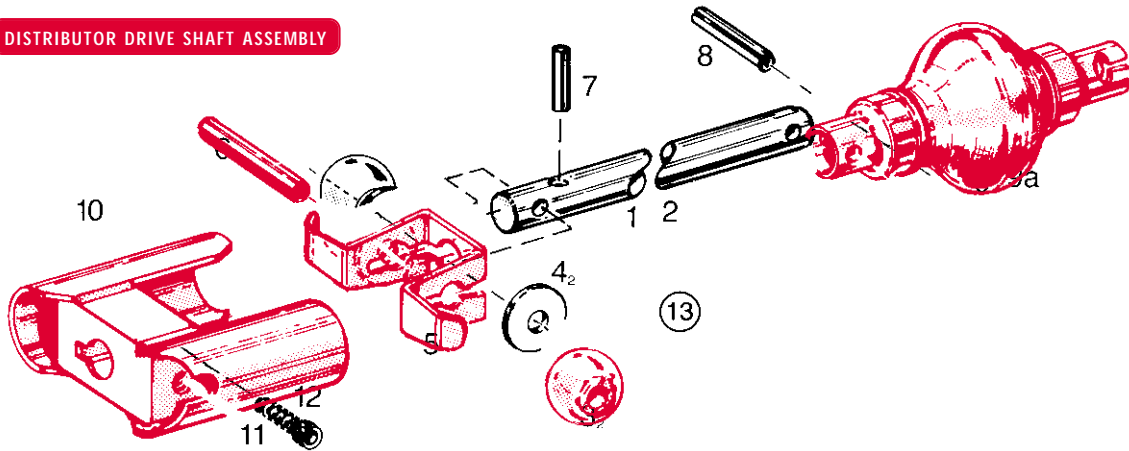
ITEM	PART NUMBER	DESCRIPTION
1	300000182	SWEEP BAR & CAP ASSEMBLY
2	030008361	BRKT-HANGER-SWEEP ASSEMBLY
3	948722111	WASHER-PL 11/32BL OXID
4	808557140	SCREW-SBHC 5/16-18 X 7/8
5	000023171	STEEL SWEEP MTG BRKT LH
5A	090001171	BRKT-SWEEP L.H.
6	809857245	SCREW-HEX 5/16-18 X 1 1/2
7	844057002	5/16-18 STOVER LOCKNUT
8	830057002	NUT ACORN LOK5/16-18
9	000023170	STEEL SWEEP MTG BRACKET RH

ITEM	PART NUMBER	DESCRIPTION
9A	090001170	BRKT-SWEEP R.H.
10	000023182	SLIDE BAR
11	948761112	5/16 WROUGHT WASHER
12	300000166	INSERT-SWEEP LOGO
13	300000175	URETHANE CAP-SWEEP BAR
14	938637100	POP RVT 3/16 AL DME HD
15	749537068	WASHER
16	090006166	DECAL 82-90XL GLOW
17	610700150	SWEEPBAR KIT FOR MACHINE PAIR

Note: When using part 300 000 182, Sweep Bar on Brunswick machine, use brackets part number 233 001 309 - Bracket RH and 233 001 307 - Bracket LH.



DISTRIBUTOR DRIVE SHAFT ASSEMBLY



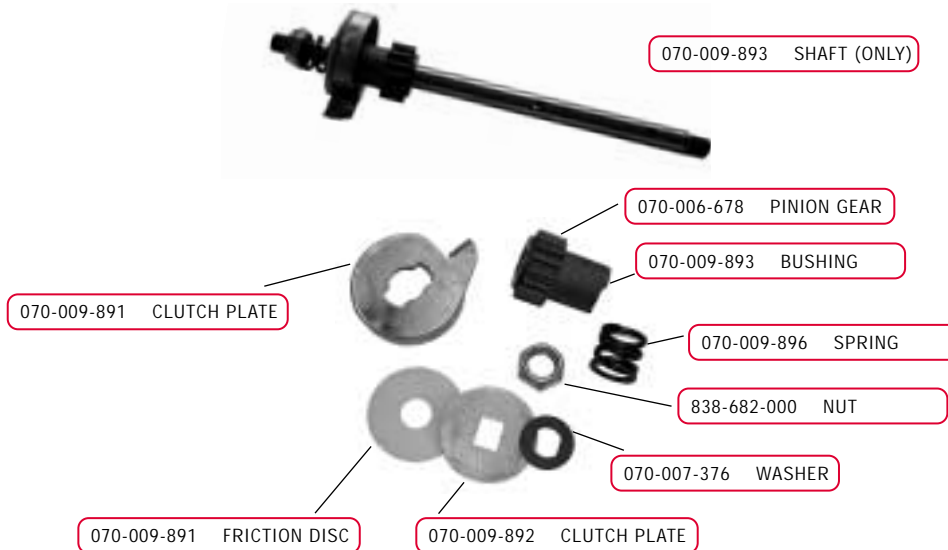
ITEM	PART NUMBER	DESCRIPTION
1	070006101	DRIVE SHAFT-RH
2	000022369	DRIVE SHAFT-LH
3	090002019	BALL - DISTRIBUTOR DRIVE
4	000029073	WASHER
5	000024892	RETAINER-BALL
6	000022717	PIN-DRIVE SHAFT
7	913423120	PIN-SPRNG.125 X 3/4
8	913437120	PIN-SPRNG.187 X 3/4

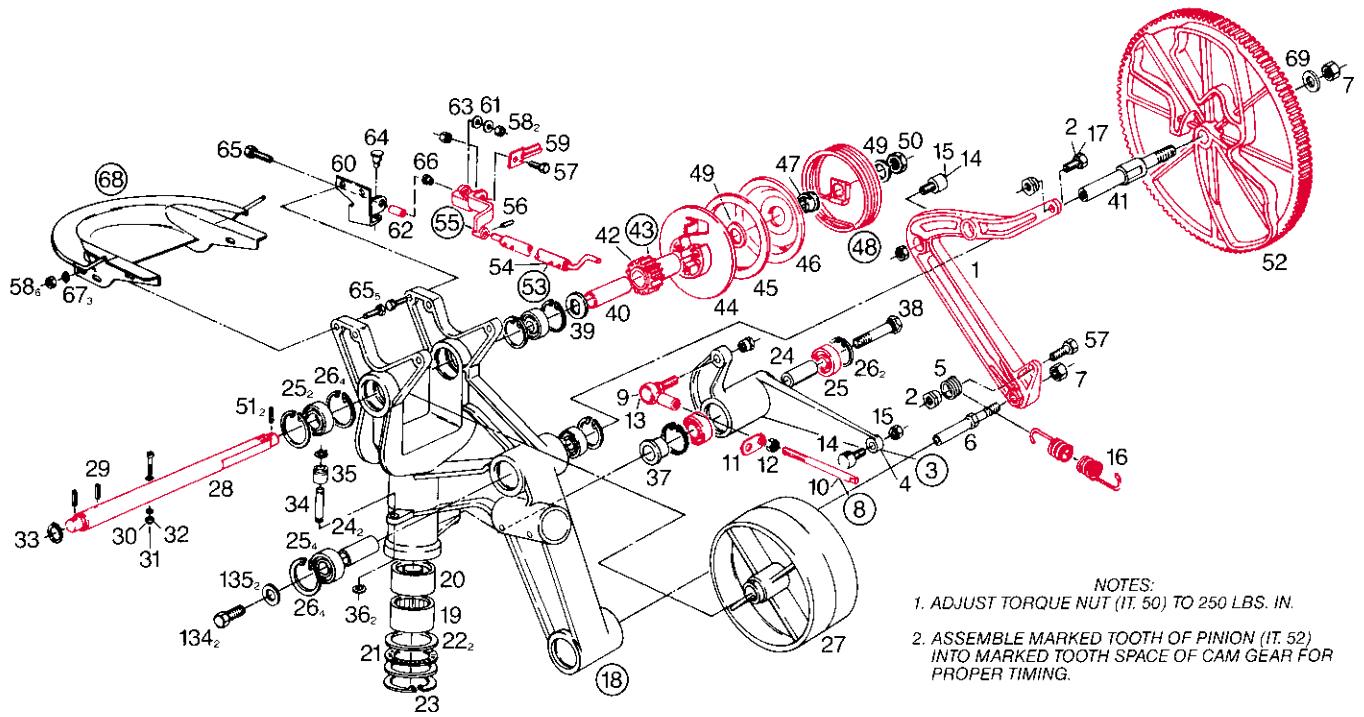
ITEM	PART NUMBER	DESCRIPTION
9	070008004	UNIVERSAL JOINT-PLASTIC
9a	070007586	UNIVERSAL JOINT-METAL
10	000027390	DIST DRIVE HOUSING
10a	090001130	DIST DRIVE HOUSING 90/8800
11	807358060	SCREW-ST505/16-24X3/8K
12	700107146	ADHSVE-LKTTE - OBS
13	070006102	DRIVE SHAFT ASSEMBLY-RH 82/70
13a	000024893	DRIVE SHAFT ASSEMBLY-LH 82/70

CLUTCH ASSEMBLY

070009890 SIMPLIFIED CLUTCH ASSEMBLY

612703015 SIMPLIFIED CLUTCH WITH SHAFT KIT





ITEM	PART NUMBER	DESCRIPTION
1	070006051	ARM-DISTRIBUTOR
2	000022173	NUT-SPECIAL
3	070007119	DRIVE ARM ASSEMBLY
4	070006052	DRIVE ARM
5	070006111	SLEEVE-SPRING POST
6	070006049	SHAFT-ARM-DIST.
7	844073002	1/2-13 STOVER LOCKNUT
8	090005262	ROD LINK ASY
9	070006066	ROD END-FEMALE-DIST.
10	070006067	ROD-SAFETY LINK-DIST
11	070006068	SUPPORT-SPRING-DIST.
12	831565002	3/8-14 EX STEEL MACHINE NUT
13	070006069	NUT-SPECIAL-DIST
14	070006071	CAM FOLLOWER-DIST.
15	844050002	NUT-STVR-LK 1/4-28
16	070006034	SPRING-LINEAR-DIST.
17	809849100	SCREW-HEX 1/4-20 X 5/8
18	070006136	CASTING & BEARING AS
19	070006076	BEARING-NEEDLE OPEN END
20	070006075	BEARING ND CLSD END 1"LG"
21	070006074	BEARING-NEEDLE THRUST
22	070006073	WASHER-THRUST
23	919004200	RING-RET. 5008-212
24	070006064	SPACER-BEARING-DIST.
25	000024679	BEARING BL .625 X 1.375
26	919000600	RING-RET. 5000-137
27	070006666	PULLEY-DIST.BELT DR
28	070006077	SHAFT-DRIVE-DIST.
29	914037206	SPIROL PIN 3/16 X 1 1/4
30	810239240	SCREW-SOC 10-24 X 1 1/2
31	840039002	NUT-FLX-TN 10-24
32	948745082	WASHER- 7/32 X 1/2 X 1/16
33	919005600	RING-RET. 5100-62
34	070006082	PIN-SPRING POST-DIST
35	000026081	SLEEVE-SPRING POST
36	919005300	RING-RET. 5100-37
37	070006065	CLAMP-RACE-DIST.

ITEM	PART NUMBER	DESCRIPTION
38	070006048	BOLT-SPECIAL
39	070007376	WASHER-THRUST
40	070006676	SLEEVE-DIST.DRIVE
41	070006061	SHAFT-CAM SUPT-DIST.
42	070006679	BEARING SL .752 X .877 X 1.66
43	610704005	PINION & SLEEVE ASSEMBLY
44	610704006	CLUTCH PLATE ASSEMBLY KIT
45	070006126	FRICTION DISC
46	070006130	CLUTCH PLATE
47	070006125	WORM-ADJUSTING-DIST
48	070006128	SPRING ASSEMBLY-DIST.DR.
49	070006121	WASHER-DIST.CLUTCH
50	835582002	5/8-18 UNF HEX THIN NUT- PLTD
51	913437140	PIN-SPRNG .187 X 7/8
52	070006149	CAM-INDEX-DIST.
53	090006668	TRIP STOP ROD AND SUPPORT CASTING ASSY
54	090006663	TRIP STOP ROD ASSY
55	090006665	CSTG-TRIP SUPT-DIST SLOT
56	913415090	PIN SPRNG .094 X 9/16
57	809849125	SCREW-HEX 1/4-20 X 3/4
58	844049002	1/4-20 LOCK NUT
59	070006691	STOP BLADES TRP ARM
60	070006084	BRKT-TRIP STOP
61	000026865	WASHER
62	070006685	PIVOT-TRIP ASSEMBLY
62A	070006087	SLEEVE-PIVOT-TRIP
63	070007651	WASHER-NYLON-DIST
64	070006142	BUMPER
65	809849205	1/4-20 X 1 1/4 MACHINE SCREW
66	701712097	BEARING SP .375 X .628 OI
67	948753102	WASHER-9/32 X 5/8 X 1/16
68	090003077	ORIENTOR PAN ASSEMBLY DIST.
69	948975172	1/2 USS WROUGHT WASHER TYPE A
134	809857080	SCREW-HEX 5/16-18 X 1/2
135	948761112	5/16 WROUGHT WASHER
NOT SHOWN	070009890	SIMPLIFIED CLUTCH
	612700001	CLUTCH KIT

610704006 CLUTCH REPAIR KIT

Features:

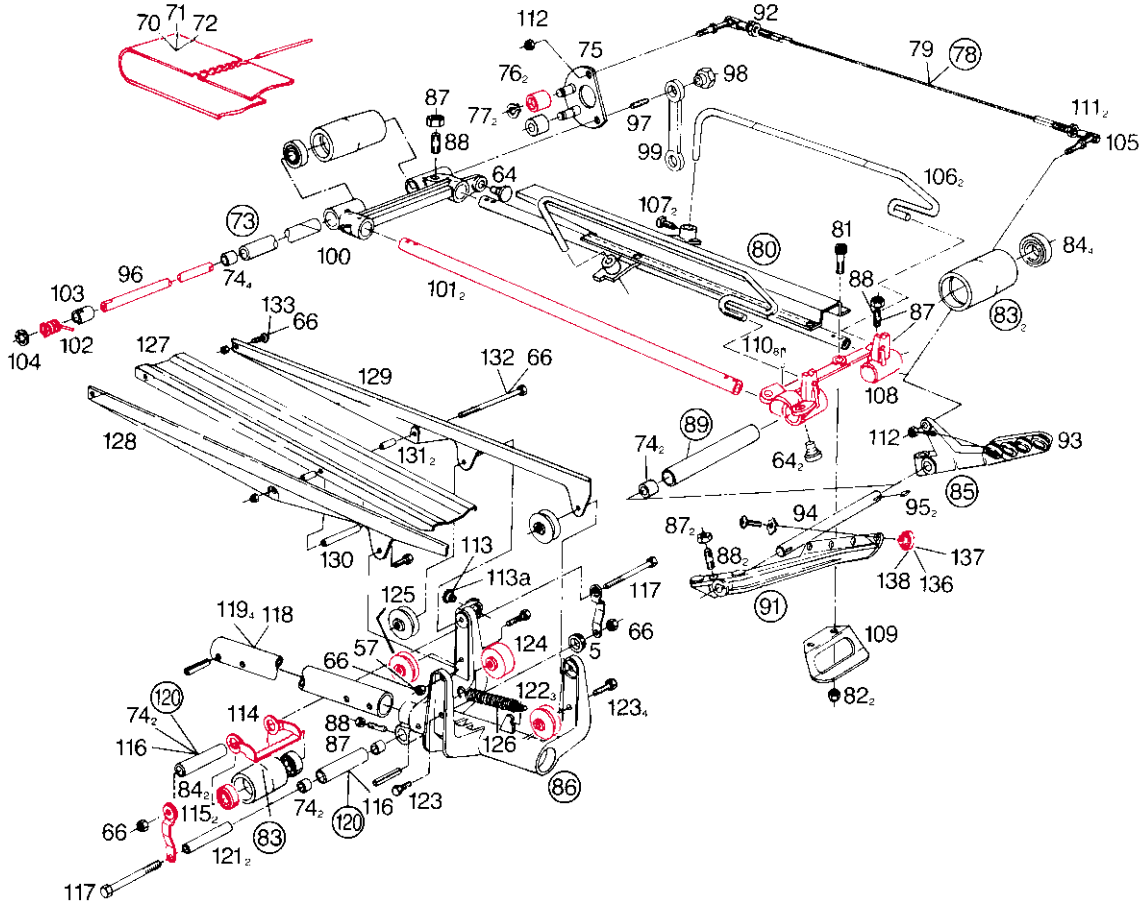
- New Backing Plate and Trip Blade
- Both wear items in a convenient Kit
- Made to AMF's exact specifications

090006668 TRIP ROD & CAST ASSEMBLY

Features:

- Slot and bolt connection
- 0.5" solid steel rod
- Added weight helps release stop blade easier
- Allows better clutch adjustment





ITEM	PART NUMBER	DESCRIPTION
5	070006111	SLEEVE-SPRING POST
57	809849125	SCREW-HEX 1/4-20 X 3/4
64	070006142	BUMPER
66	844049002	1/4-20 LOCK NUT
70*	070006757	82/70 DIST BELT BLACK ROUGH TOP
70A*	610709811	82/70 DIST BELT BLACK ROUGH TOP (FOR 3 BELTS)
70B*	610709812	82/70 DIST BELT WHITE NITRILE (FOR 3 BELTS)
70C*	070006152	82/70 DIST BELT WHITE NITRILE
71	070006036	LACING-DIST. BELT
72	070006037	PIN-DIST.BELT
73	070006683	TUBE ASSEMBLY-MIDLE-CARAG
73A	070006022	TUBE ASSEMBLY-MIDDLE-DIST
74	900106081	BEARING SL .378 X .503 X 1/2
75	070006661	TRIP ROCKER ARM WELD
75A	070006028	ROCKER ARM-TRIP-DIST
76	070001857	ROLLER-NYLON
77	919005000	RING-RET. 5100-25
78	070011170	TRIP CABLE ASSY
79	070011171	CABLE ASSY
80	070006009	SUPPORT-BELT RUN.ASSEMBLY
81	810239160	SCREW-SOC 10-24 X 1
82	840039002	NUT-FLX-TN 10-24
83	070006011	PULLEY ASSEMBLY-DIST.
84	000024679	BEARING BL .625 X 1.375
85	070006015	TRIP ARM ASSEMBLY R H
86	070006688	SUPPORT-CARRIAGE ASSEMBLY
87	070006116	STUD-CLAMP
88	834549002	1/4-20 STEEL HEX NUT, PLTD
89	070006021	TUBE ASSEMBLY-FRONT-DIST.
91	070006016	TRIP ARM ASSEMBLY L H
92	070011172	BALL JOINT 7/16
93	070004176	BEARING RL DIST
94	070006014	SHAFT-DISTRIBUTOR
95	907000100	KEY-HY PRO 403
96	070006659	SHAFT-CARRIAGE ASSEMBLY
97	807249160	SCREW-STSO 1/4-20 X 1 CP
98	000022173	NUT-SPECIAL
99	070006029	LINK-CONNECTING-DIST
100	070006672	CARRIAGE CSTG

ITEM	PART NUMBER	DESCRIPTION
101	070006004	TUBE-DISTRIBUTOR
102	070006035	SPRING-DIST.CARRIAGE
103	070006019	COLLAR-SPRING-DIST.
104	919006800	RING-RET. 5115-37
105	070011173	BALL JOINT 9/16
106	070006013	GUIDE-PIN-DIST.
107	806249060	SCREW-STSQHD 1/4-20 X 3/8
108	070006055	CARRIAGE-FRONT-DIST.
109	070006137	GUARD-BELT-DIST.
110	913437140	PIN-SPRNG .187 X 7/8
111	835549002	1/4-20 JAM NUT
112	840040002	NUT-FLX-TN *10-32
113	701710098	BEARING SP .313
113A	900206091	BEARING FL. (.562 X .688 X .378)
114	070006106	BRKT-TRACKING-DIST
115	070006109	LINK-ROLER ASSEMBLY-DIST
116	070006107	TUBE-BELT TIGHT-DIST
117	809849605	SCREW HEX HD 1/4-20 X 3 1/4
118	070006120	CARRIAGE SUPPRT TUBE
119	913464280	PIN-SPRNG .375 X 1 3/4
120	070006105	TUBE ASSEMBLY-DIST.CARAGE
121	070006108	SPACER-ROLER AY-DIST
122	070006118	BEARING-GRVD.ECCENT-DIST
123	809849165	SCREW HEX HD 1/4-20 X 1
124	701849124	BEARING BL Ø THRD BORE
125	070006117	BEARING-GRVD.CONCENT-DST
126	000026031	SPRING
127	070006042	RUNNER-BELT-REAR
128	070006103	SUPPORT GUIDE LH
129	070006104	SUPPORT GUIDE RH
130	070006139	SPACER-INNER-DIST.
131	070006140	SPACER-OUTER-DIST.
132	809849885	SCREW-HEX 1/4-20 X 5 1/2
133	808549200	SCREW-SOBT1/4-20 X 1 1/4
136	813540082	SCREW-TRHD10-32 X 1/2 CD
137	957100002	#10 EXT TOOTH LOCKWASHER. PLTD
138	000026251	BEARING RESPOT CELL
138A	000025281	RIVETED BEARING- RESPOT CELL
139	610704032	DISTRIBUTOR ASSEMBLY

* Belt Length - 70a - 117" ± 1/2"
 - 70b and 70c - 116" ± 1/4"

Note: Roller must be steel bearing with AMF Scoring.



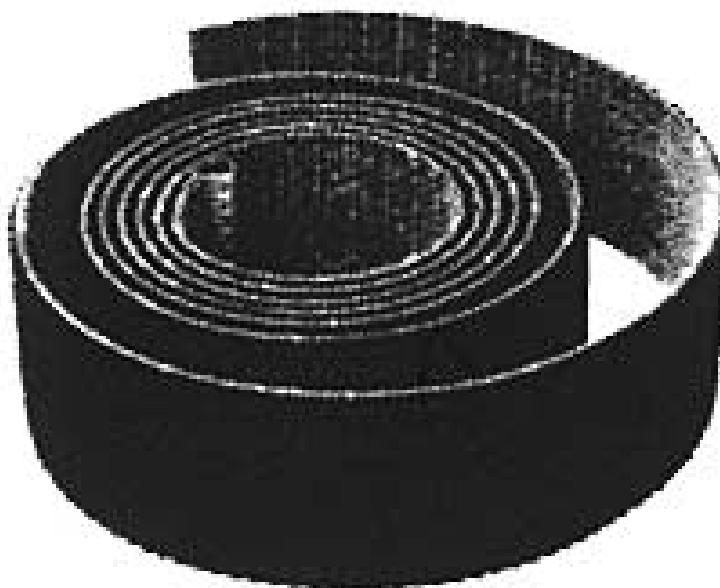
82-70

		width	length	description
070006152	WHITE BELT	2.75"	117.50"	one pre-cut belt with lacing and pin
610709812	WHITE ROLL	2.75"	376.50"	roll equal to 3 belts plus 24" for splicing
070006757	BLACK BELT	2.75"	117.50"	one pre-cut belt with lacing and pin
610709811	BLACK ROLL	2.75"	376.50"	roll equal to 3 belts plus 24" for splicing

82-30

		width	length	description
030005677	WHITE BELT	3.50"	160.25"	one pre-cut belt with lacing and pin
610309070	WHITE ROLL	3.50"	504.75"	roll equal to 3 belts plus 24" for splicing

- AMF's familiar black PVC rough-top distributor belt:
- Plus a new blue two-ply rubber belt with grid surface
- Tread designs provide high coefficient of friction to minimize pin jams
- Both abrasion-resistant styles feature a non-marking surface
- Genuine AMF quality for fast installation, perfect fit
- Belts also available in roll form with lacing and pins for three belts and an extra 24" length for splicing

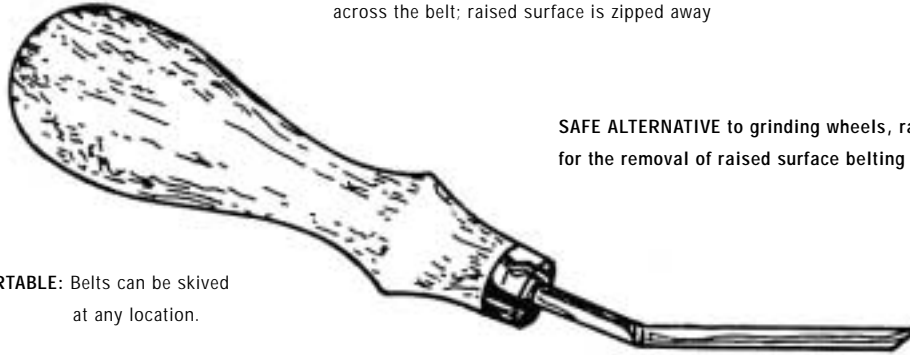


792516021 ROUGH TOP BELT SKIVER

EASY TO USE: Hold the skiver at a 30 degree angle and move across the belt; raised surface is zipped away

SAFE ALTERNATIVE to grinding wheels, razor blades and knives for the removal of raised surface belting

PORTABLE: Belts can be skived at any location.



BLADE CAN BE RE-SHARPENED to restore the blade to the original sharpness

- Skiving rough top and other raised surface belting is an important stop in achieving maximum benefits/lift from belt splices. The rough top belt skiver removes raised surfaces. within seconds, leaving a smooth surface for selecting and installing belt fasteners.
- The rough top belt skiver is a safe and effective alternative to other methods of removing raised surfaces such as grinding wheels, razor blades or knives.
- Being a hand held tool, this job can be done virtually anywhere.

INSTRUCTIONS:

- 1 Place belt on solid surface and hold securely with free hand. Note: keep hand out of the path of the skiver
- 2 Hold skiver at approximately a 30-degree angle to the belt. (fig. 1) Slowly begin cutting into the belt surface just under the raised top.

- 3 Maintain an even pressure and move skiver across the belt. (fig.2) If held at proper angle, it will cut through the belt easily.
- 4 Skive rough top back on inch from each end to allow clearance for lacer jaws during lacing operation.

TO SHARPEN:

- 1 Place 1/4" fine stone of emery board in cutting channel. Draw away from tool.
- 2 After tool is sharp, draw stone across bottom to remove burrs.



FIG. 1



FIG. 2

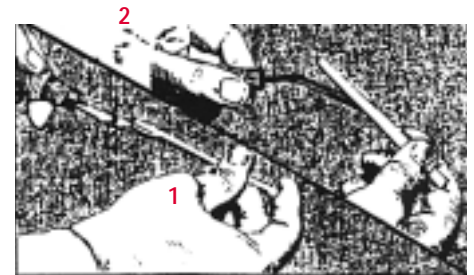
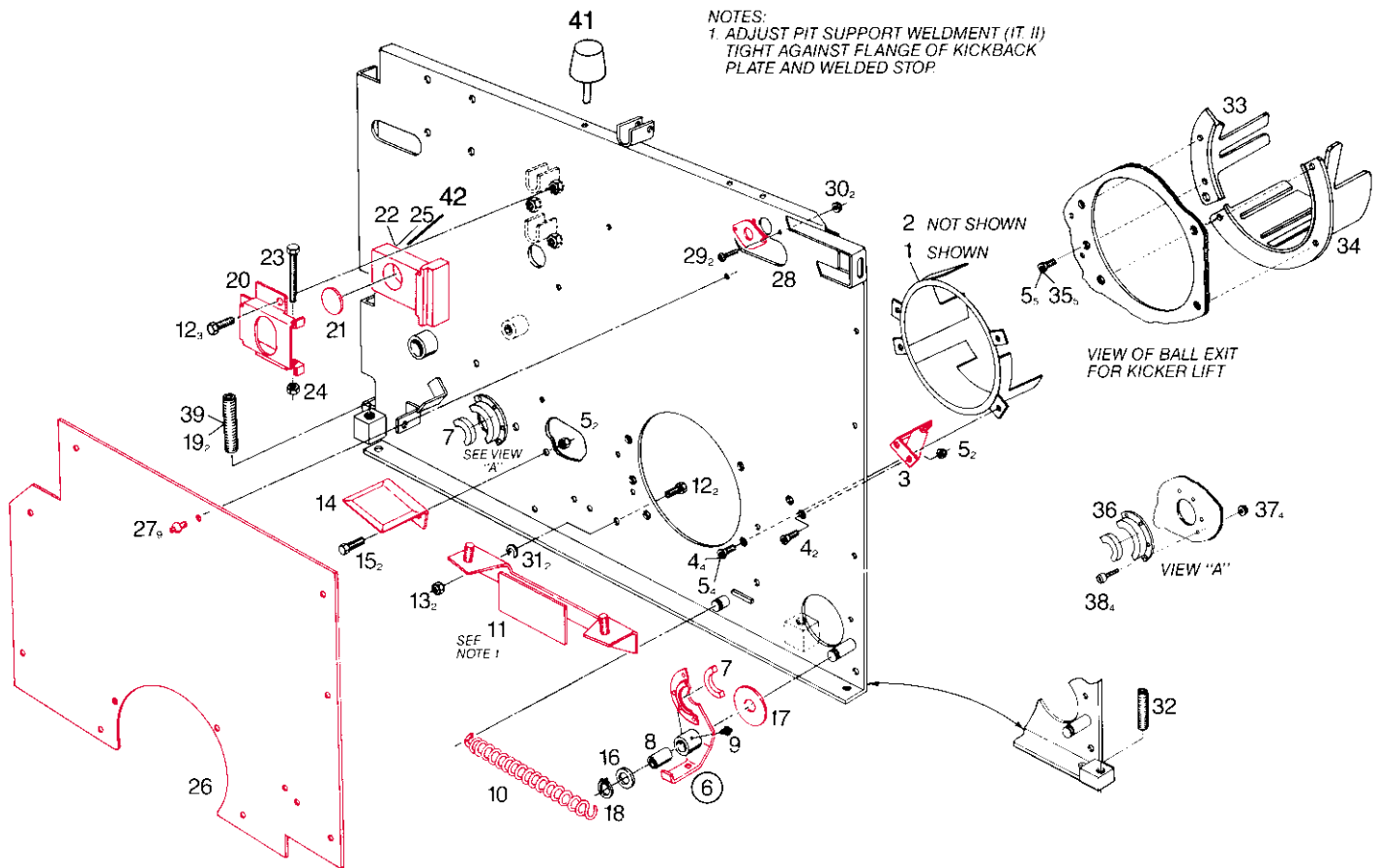
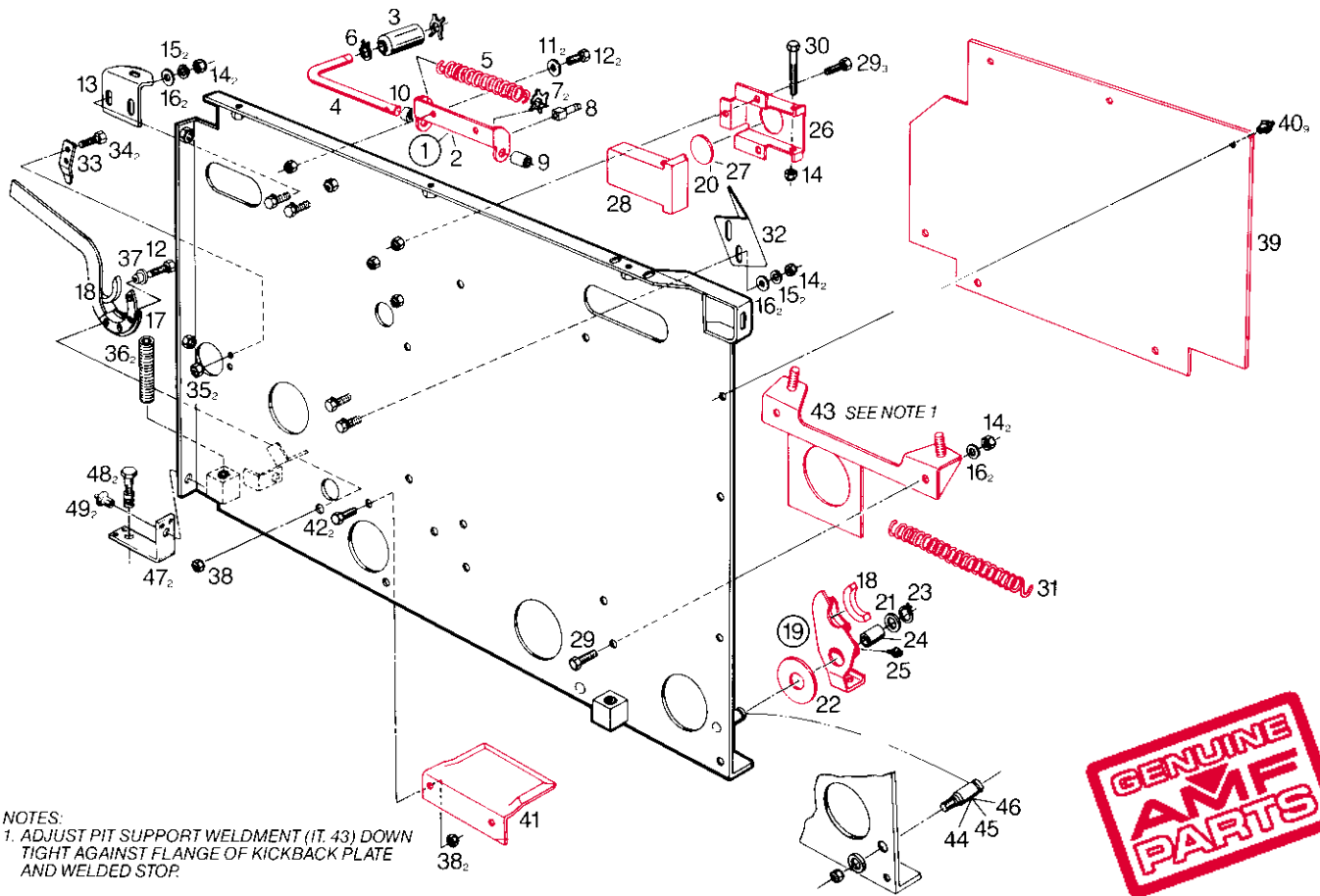


FIG. 3



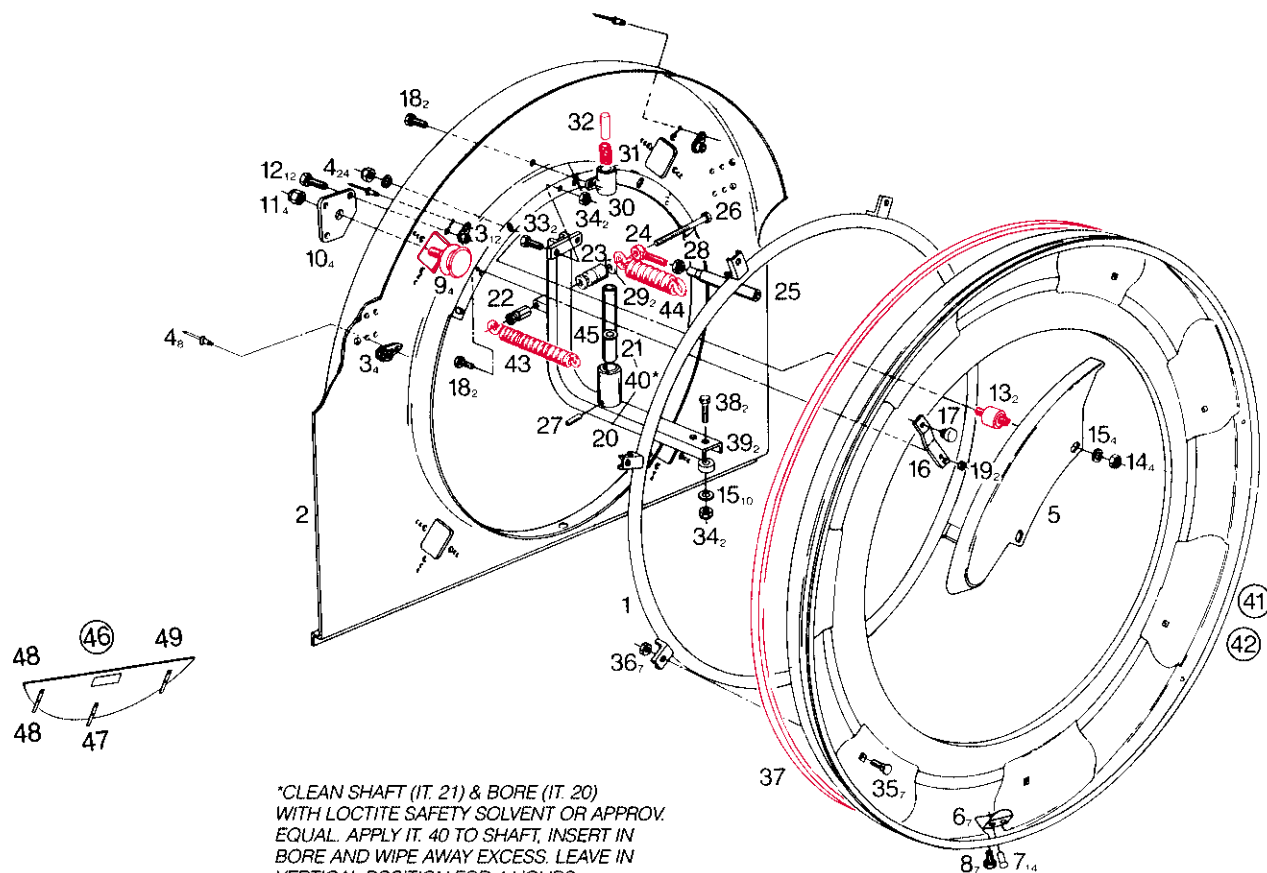
ITEM	PART NUMBER	DESCRIPTION
1	070011006	DOOR WELD RH
2	070011642	RH URTH BALL DOOR RING
2A	070011641	LH URTH BALL DOOR RING
3	000024668	TRACK SUPT BRKT
4	808857120	SCREW-SOFL 5/16-18 X 3/4
5	844057002	5/16-18 STOVER LOCKNUT
6	000029672	BRKT BEARING ASSEMBLY RH
6A	000022249	BRKT ASSEMBLY-LH
7	000022924	SUPPORT-BEARING
8	900112203	BEARING SL .753 X 1 X 1 1/4
9	710501009	FITTING-ALMTE 3006
10	000021204	SPRING
11	070001450	PIT SUPT BRKT-BDS
12	809865205	SCREW-HEX 3/8-16 X 1 1/4
13	839665002	NUT-FLX 3/8-16
14	000022878	ANGLE
15	809857125	SCREW-HEX 5/16-18 X 3/4
16	000027642	WASHER
17	000027641	BEARING TH .752 X 2.75 X .062
18	919005800	RING-RET. 5100-75
19	000024890	JACKSCREW
20	000022788	BOX-SUPPORT
21	000022300	SHIELD
22	000022794	BLOCK SUPPORT RH

ITEM	PART NUMBER	DESCRIPTION
22A	000022795	BLOCK SUPPORT LH
23	809865645	SCREW-HEX 3/8-16 X 4
24	840065002	NUT-FLX-TN 3/8-16
25	008100413	ADHSVE-3M EC1300
26	030008660	PANEL-KICKBACK
27	937000000	RVT-DRVE ALUM UNV HD
28	070011286	BUSHING-CURTAIN ROD
29	808549160	SCREW-SOBT 1/4-2 0X 1
30	844049002	1/4-20 LOCK NUT
31	070006639	WASHER-C
32	070007722	JACKSCREW 1/2-20 X 3
33	000024624	SEGMENT-REAR RH
33A	000024623	SEGMENT-REAR LH
34	000024625	SEGMENT-FRONT RH
34A	000024626	SEGMENT FRONT LH
35	808857160	SCREW-SOFL 5/16-18 X 1
36	000022926	RETAINER SUPPORT
37	844058002	5/16-24 LOCK NUT
38	810258100	SCREW-SOC 5/16-24 X 5/8
39	000025207	SCREW-JACK-INSRT-LONG
40	000028362	BUMPER-URETHANE
41	000024641	STOP BUMPER
42	000022796	CUSHION BLOCK-URETHANE-RH
42A	000022797	CUSHION BLOCK-URETHANE-LH



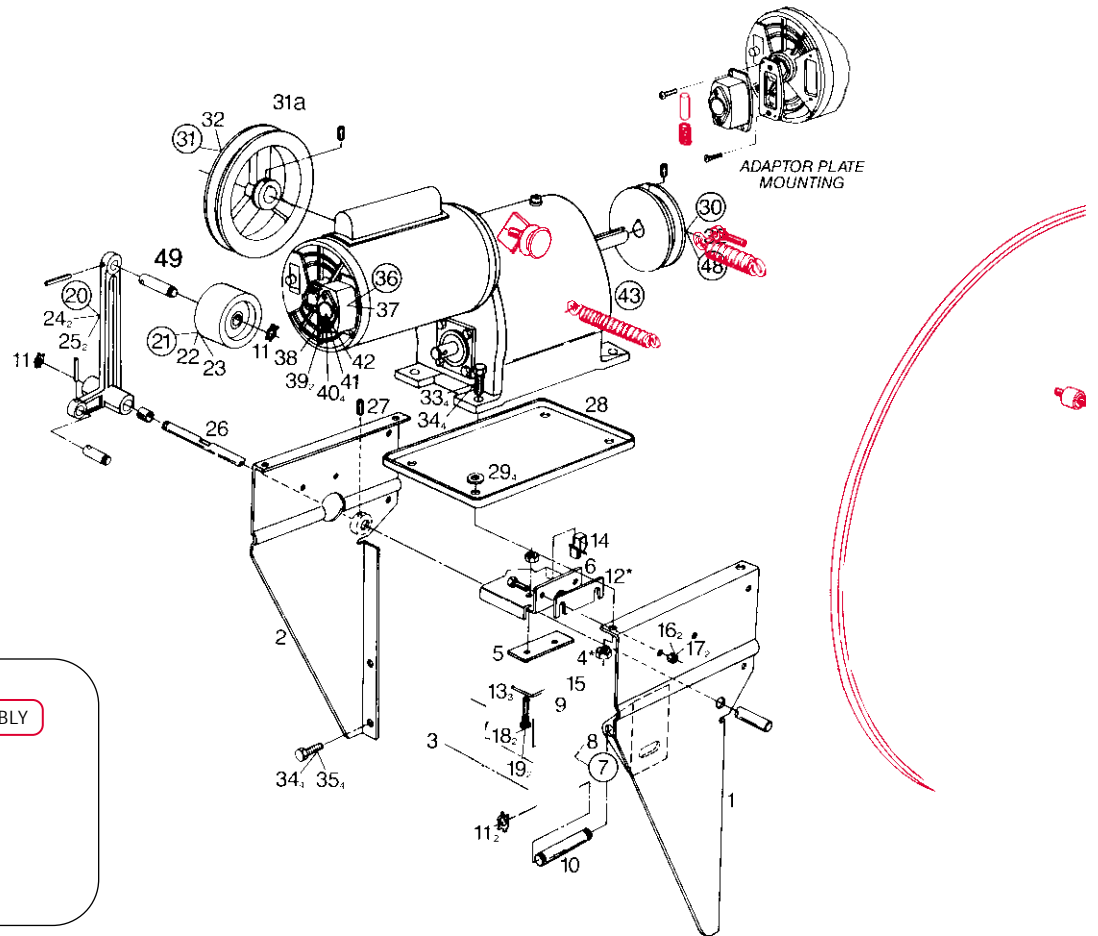
ITEM	PART NUMBER	DESCRIPTION
1	000024508	PIN EJECT ASSEMBLY RH
1a	000024507	PIN EJECT ASSEMBLY LH
2	000024511	BRKT ASSEMBLY-RH
2a	000024510	BRKT ASSEMBLY-LH
3	000025803	ROLLER-PIN EJEC ASSEMBLY
4	000025804	SHAFT-PIN EJEC ASSEMBLY
5	000024513	SPRING-RH
5a	000024512	SPRING-LH
6	919005400	RING-RET. 5100-43
7	963600002	WASHER-X 1/4 9000-16
8	000029317	STOP-PIN
9	000024515	BEARING SL .44 X .56 X 3/4
10	000024516	BEARING SL .44 X .56 X 3/8
11	000028334	PIN EJECTOR WASHER
12	809857165	SCREW-HEX 5/16-18 X 1
13	000023821	SIDE CLIP WELD
14	839665002	NUT-FLX 3/8-16
15	951164002	WASHER-LK-SPLIT 3/8
16	948767132	WASHER13/32 X 13/16 X 1/16
17	000023465	SUPPORT WLDMNT-LH MACH RH SIDE
17a	000023464	SUPPORT WLDMNT-RH MACH LH SIDE
18	000022924	SUPPORT-BEARING
19	000027645	BRKT.SUPT.ASSEMBLY LH
19a	000027646	BRKT.SUPT.ASSEMBLY RH
20	008100413	ADHSVE-3M EC1300
21	000027642	WASHER
22	000027641	BEARING TH .752 X 2.75 X .062
23	919005800	RING-RET. 5100-75
24	900112203	BEARING SL .753 X 1 X 1 1/4
25	710501009	FITTING-ALMTE 3006

ITEM	PART NUMBER	DESCRIPTION
26	000022788	BOX-SUPPORT
27	000022300	SHIELD
28	000022795	BLOCK SUPPORT LH
28A	000022794	BLOCK SUPPORT RH
29	809865165	SCREW-HEX 3/8-16 X 1
30	809865645	SCREW-HEX 3/8-16 X 4
31	000021204	SPRING
32	000023431	CLIP BOTTOM RH
32A	000023432	CLIP BOTTOM LH
33	000023468	BRACKET
34	809849125	SCREW-HEX 1/4-20 X 3/4
35	844049002	1/4-20 LOCK NUT
36	000024890	JACKSCREW
37	000023467	BEARING FL .314 X .434 X .310
38	844057002	5/16-18 STOVER LOCKNUT
39	070002027	PANEL
40	937000000	RVT-DRVE ALUM UNV HD
41	000022878	ANGLE
42	809857125	SCREW-HEX 5/16-18 X 3/4
43	070001451	PIT SUPT BRKT-OBDS
44	844074002	NUT-STVR-LK 1/2-20
45	941072200	WASHER-1/2 X 1 1/2 X .083
46	000029015	STUD-PIVOT
47	000026464	BRACKET-BACK END
48	709007037	BLT-TAPER 3/8X2 1/4
48A	709130059	SCREW BOLT - OBS
49	937738003	RVT-DRVE STL UNV HD
FOR REFERENCE		
	090004127	KICKPLATE WELDMENT LH/RHM
	090004128	KICKPLATE WELDMENT RH/LHM



ITEM	PART NUMBER	DESCRIPTION
1	000020855	RING WELDMENT
2	070001207	WHEEL GUARD - OBS
3	830358002	NUT-AN 5/16-24 CD
4	938523030	RVT-POP 1/8 X .126-.187
5	070006098	RAIL-RH MACH.BK.END
5A	070006099	RAIL LH MACH.BK.END
6	000025331	BRKT-PIN HOLD RH
6A	000025330	BRKT-PIN HOLD LH
7	938537060	RVT-POP DMED 3/16 DIA
8	809858085	SCREW-HEX 5/16-24 X 1/2
9	000021211	ROLLER BEARING
10	000021210	PLATE-ROLLER
11	844074002	NUT-STVR-LK 1/2-20
12	809858125	SCREW-HEX 5/16-24 X 3/4
13	000029068	RUBBER MOUNT
14	834557002	NUT HEX 5/16-18
15	948761112	5/16 WROUGHT WASHER
16	070001415	BRACKET-WHEEL
17	000021992	BUMPER-GROMMET #2250
18	809849125	SCREW-HEX 1/4-20 X 3/4
19	844049002	1/4-20 LOCK NUT
20	070007357	CHANNEL SUPRT WELD
21	070006045	POST-DIST.SUPT.ASSEMBLY
22	070006044	NUT-SPRING POST
23	070006043	SPACER-CLAMP
24	090005256	ROD-END-DISTRIBUTOR SUPPORT

ITEM	PART NUMBER	DESCRIPTION
25	070006047	TUBE-SAFETY LINK
26	809865725	SCREW-HEX 3/8-16 X 4 1/2
27	913437280	PIN-SPRNG .187 X 1 3/4
28	831566002	NUT-HEX 3/8-24
29	948767132	WASHER 13/32 X 13/16 X 1/16
30	000029201	OILER BODY
31	000029202	SPRING WICK
32	000029203	WICK PIN
33	809857165	SCREW-HEX 5/16-18 X 1
34	844057002	5/16-18 STOVER LOCKNUT
35	801149897	1/4-20 X 3/4 CARRIAGE BOLT
36	844049002	1/4-20 LOCK NUT
37	070002005	BELT-DRIVE PIN ELEV
38	809857405	SCREW-HEX 5/16-18 X 2 1/2
39	070008449	SPACER-DIST.SUPPORT
40	700107170	ADHSVE-LKTE 609
41	070001129	WHEEL ASSEMBLY RH
42	530702106	WHEEL ASSEMBLY LH-USED - OBS
43	000026032	SPRING
44	070006030	SPRING-SAFETY LINK
45	070006143	SPACER
46	000022219	PIN ELEV GUARD ASSEMBLY
47	000022222	BRKT-MTG-PIN ELV GRD
48	801239160	BLT-CR 10-24 X 1 WO
49	843139002	NUT-KEP 10-24



000024597 LINK ASSEMBLY

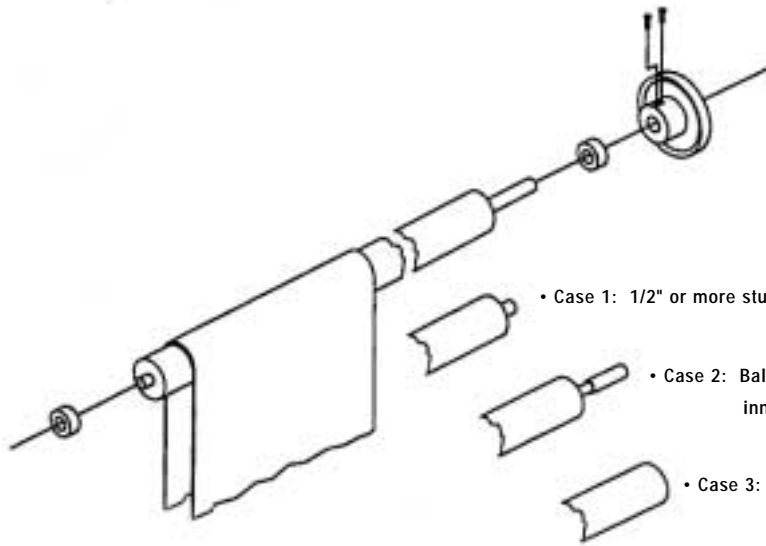
Features:

- Made of brass
- Grease fittings

ITEM	PART NUMBER	DESCRIPTION
1	070002084	BRKT-MOTOR RH FRONT
1A	070002214	BRKT-MOTOR LH FRONT
2	070002074	BRKT-MOTOR RH REAR
2A	070002212	BRKT-MOTOR LH REAR
3	000029624	BRKT SHOCK MECH
4*	000026043	SWITCH-MICRO
5	000022296	INSULATOR-SWITCH
6	000022828	BRKT-SHOCK SWCH MECH
7	000023621	LEVER CUSH ASSEMBLY-SWTHC
8	000023625	BUMPER-SPONGE RUBBER
9	000021431	SPRING
10	000022821	PIN
11	963600002	WASHER-X 1/4 9000-16
12**	000028036	SHIM-MICRO SWITCH
13	000021992	BUMPER-GROMMET #2250
14	724501072	TIN-CLIP-CBL.C 4506S
15	070011250	BRACKET-SWITCH
16	809849125	SCREW-HEX 1/4-20 X 3/4
17	844049002	1/4-20 LOCK NUT
18	818227202	SCREW-SMRD 6-32 X 1 1/4
19	839527002	6-32 FLEX NUT
20	070002004	ARM ASSEMBLY RH BELT TIGHT
20A	070002216	ARM ASSEMBLY LH MACH
21	070002007	PULLEY ASSEMBLY BELT
22	070002094	PULLEY-BELT TIGHTNER
23	900208161	BEARING FL .503 X .875 X 1
24	900108141	BEARING SL .503 X 7/8

ITEM	PART NUMBER	DESCRIPTION
25	913437160	PIN-SPRNG .187 X 1
26	070002012	PIVOT SHAFT
27	807357080	SCREW-STSO5/16-18 X 1/2
28	070002010	PAN-DRIP
29	000023758	GSKT-WASHER 3/8ID X 7/8OD
30	000022172	SHEAVE-BACK END DRIVE
31	000023673	SHEAVE
31A	000024598	ADJ SPEED SHEAVE
32	807358060	SCREW-STSO5/16-24 X 3/8
33	809857205	SCREW-HEX 5/16-18 X 1 1/4
34	844057002	5/16-18 STOVER LOCKNUT
35	809857125	SCREW-HEX 5/16-18 X 3/4
36***	070001284	RECEPTACLE ASSEMBLY
37	000025590	RECEPTACLE HOUSING
38	000025906	RECEPTACLE-MALE
39	823126062	SCREW-TAP-RD 6 X 3/8 TYA
40	760015038	TERM-AMP 41473
43****	610704043	MOTOR WESTINGHOUSE RH 110/60HZ
43A****	610704042	MOTOR WESTINGHOUSE LH 110/60HZ
48	070006212	MOTOR WESTINGHOUSE RH 230/50HZ
48A	070006211	MOTOR WESTINGHOUSE LH 230/50HZ
49	070004267	SHAFT-STUB
50	000029961	BRACE
51	000021443	SPRING POST
52	809857565	SCREW-HEX 5/16-18 X 3 1/2
53	000029601	SPRING

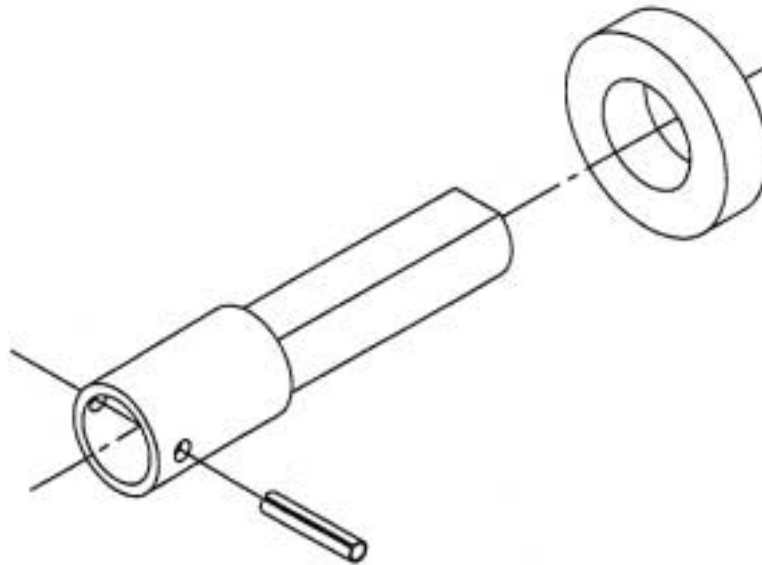
* Remove N.O. contact before mounting ** Use as required to obtain a gap of .79 in (2.39mm.) between item 7 & item 3
 *** Adaptor plate 785501208 & (2) #8-32 x 3/8 flat head machine screws to be used with Westinghouse motors only **** See price book for exchange and repair program.



• Case 1: 1/2" or more stub left. Shaft cut off by the kick back.

• Case 2: Ball bearing is "frozen up", shaft is spinning in inner diameter of ball bearing and wearing rapidly.

• Case 3: Shaft has been cut off flush against roller by "frozen bearing" no stub left! Sorry this kit can't fix this problem.



612070014 82-70 REAR ROLLER REPAIR KIT

Includes:

- Stub shaft
- Ball bearing for stub shaft end
- New ball bearing for opposite end (#000024590)
- 3/16" x 1" steel roll pin
- 0.185" drill bit

"Makes Old Rollers Just Like New!"

090006124 PUMPKIN CARPET BELT

- pre-conditioned
 - easier to install
 - reduced break-in period
 - easy startup
- Does not absorb oil! Great for today's lane conditions
- Wears exceptionally long
- Runs smoother at the start
- Does not fray on the edges
- Does not stretch
- Tracks better than the former premium carpet belt

000026756 GREEN CARPET BELT

- Solid woven from 100% polyester
- PVC bonded to prevent frayed edges
- Specially designed for a strong vulcanized seam
- Flexible construction for easy installation

000021224 VIBRATION DAMPENER

Features:

- More deflection
- Absorbs more impact
- Extends life of bounce plates

090005273 BOUNCE BOARD RLH

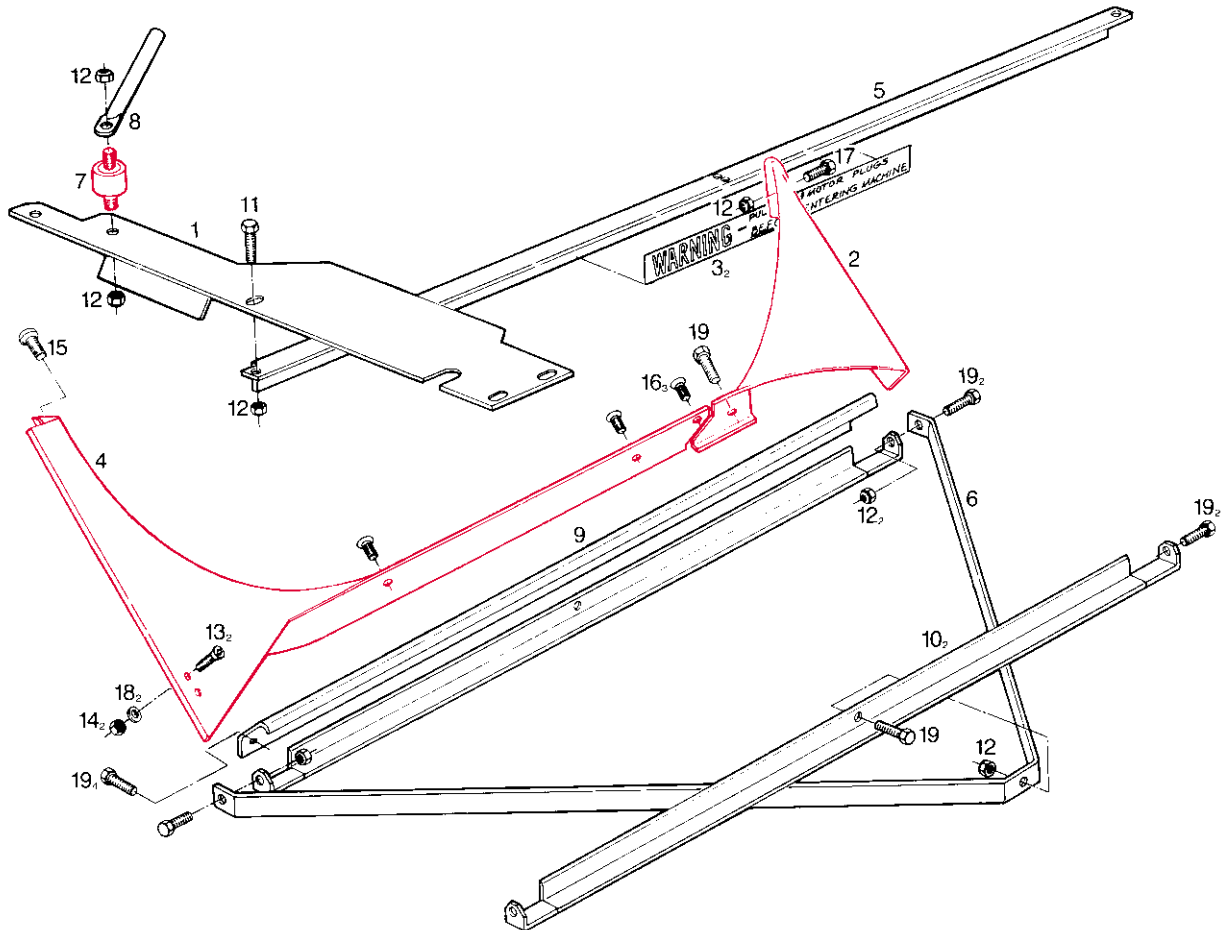
090005272 BOUNCE BOARD RRH

Features:

- Made of paper filled phenolic
- High fracture toughness to resist cracking
- Continuously lab tested

NOTE: VIBRATION DAMPENER AND BOUNCE BOARDS LOCATED ON PAGE 39

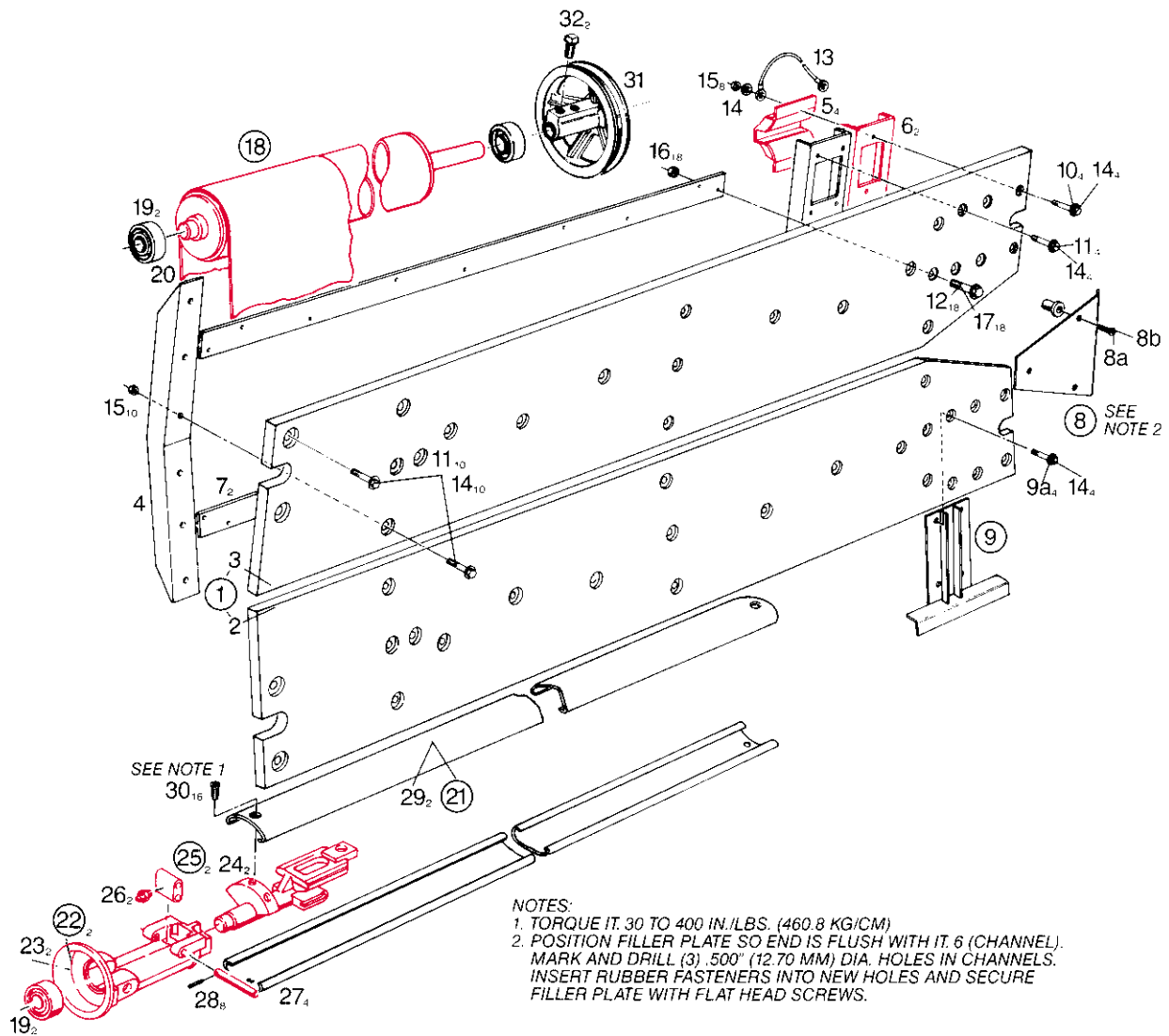




ITEM	PART NUMBER	DESCRIPTION
1	090004210	TREADWELD RH
1A	090004211	TREADWELD LH
2	070001412	PLOW & MAT ASSEMBLY SM RH
2A	070002169	PLOW & MAT ASSEMBLY SM LH
3	070005614	DECAL-WARNING
4	000027372	PLOW & MAT ASSEMBLY RH
4A	000027368	PLOW & MAT ASSEMBLY LH
5	070007359	BRKT-SUPPORT
6	070001185	BRACE
7	000029068	RUBBER MOUNT
8	070001195	PIN EJECTOR
9	000027099	APRON & MAT ASSEMBLY RH

ITEM	PART NUMBER	DESCRIPTION
9A	000027100	APRON & MAT ASSEMBLY LH
10	070001184	STRAP
11	809857205	SCREW-HEX 5/16-18 X 1 1/4
12	844057002	5/16-18 STOVER LOCKNUT
13	808849120	SCREW-SOFL 1/4-20 X 3/4
14	844049002	1/4-20 LOCK NUT
15	808566160	SCREW-SOBT 3/8-24 X 1
16	808858120	SCREW-SOFL 5/16-24 X 3/4
17	809857125	SCREW-HEX 5/16-18 X 3/4
18	948753102	WASHER-9/32 X 5/8 X 1/16
19	809857165	SCREW-HEX 5/16-18 X 1
20	808858240	SCREW-SOFL5/16-24 X 1 1/2



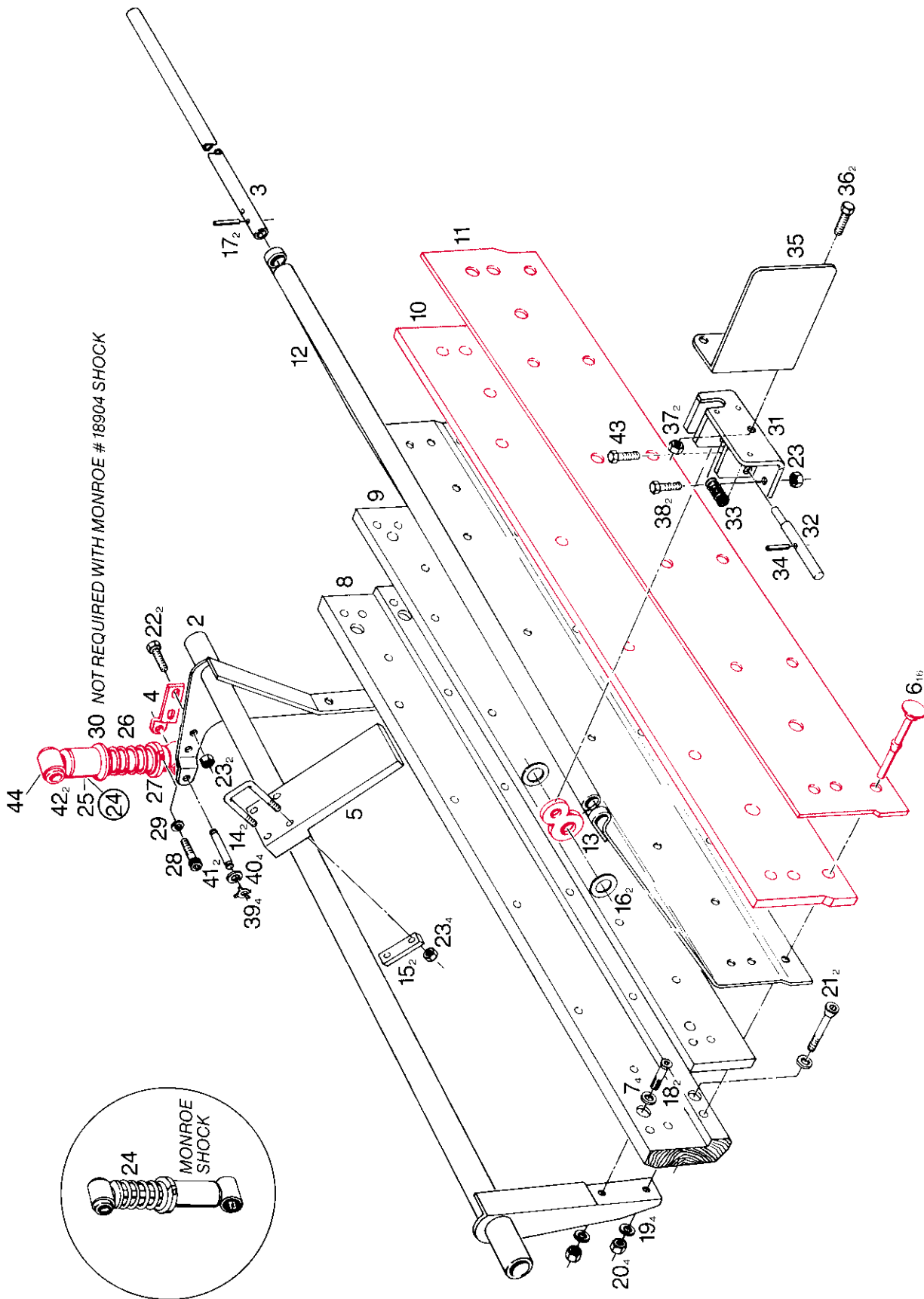


NOTES:

1. TORQUE IT. 30 TO 400 IN./LBS. (460.8 KG/CM)
2. POSITION FILLER PLATE SO END IS FLUSH WITH IT. 6 (CHANNEL). MARK AND DRILL (3) .500" (12.70 MM) DIA. HOLES IN CHANNELS. INSERT RUBBER FASTENERS INTO NEW HOLES AND SECURE FILLER PLATE WITH FLAT HEAD SCREWS.

ITEM	PART NUMBER	DESCRIPTION
1	090005275	BOUNCE BD ASSY R.H.
1A	090005276	BOUNCE BD ASSY L.H.
2	090005270	BOUNCE BOARD RH FRONT PHENOLIC
2A	090005271	BOUNCE BOARD LH FRONT PHENOLIC
3	090005272	BOUNCE BOARD RH REAR PHENOLIC
3A	090005273	BOUNCE BOARD LH REAR PHENOLIC
4	000029626	SUPPORT-ANGLE
5	000021224	DAMPENER-VIBRATION
6	000021914	CHANNEL
7	000029898	BAR-REINFORCING 40.5
8	070007846	KIT-FILLER PLATE FF
8A	808849160	SCREW-SOFL 1/4-20 X 1
8B	070007847	FASTNER RUBBER
9	610704014	BALL IDLING BRACKET KIT
9A	809849325	1/4-20 X 2 CAP SCREW
10	809849205	1/4-20 X 1 1/4 MACHINE SCREW
11	809849165	SCREW-HEX 1/4-20 X 1
12	809857205	SCREW-HEX 5/16-18 X 1 1/4
13	000025622	STRAP-BONDING
14	948753102	WASHER-9/32 X 5/8 X 1/16

ITEM	PART NUMBER	DESCRIPTION
15	844049002	1/4-20 LOCK NUT
16	844057002	5/16-18 STOVER LOCKNUT
17	948761112	5/16 WROUGHT WASHER
18	070002034	ROLLER ASSEMBLY-REAR
19	000024590	BEARING .7874 X 1.8504
20	090006124	CARPET BELT- PUMPKIN TAN
20a	000026756	SPLIT FINGER CARPET BELT- GREEN
21	000024576	ROLLER ASSEMBLY-FRONT
22	000024592	HINGE ASSEMBLY
23	000024579	ROLLER-HINGE
24	000024580	SHAFT-HINGE
25	000024597	LINK ASSEMBLY
26	710501002	FITTING-ALMTE 1612B
27	000024582	PIN-ROLLER
28	913411100	PIN-SPRNG .078 X 5/8
29	000024578	ROLLER BODY-FRONT
30	000025662	SCREW-NYLOC
31	070002097	SHEAVE-CARPET DRIVE
32	806265160	SCREW-STSQ 3/8-16 X 1 CP
33	612070014	REAR ROLL REPAIR KIT



ITEM	PART NUMBER	DESCRIPTION
1	070002060	CUSHION ASSEMBLY RH
1A	070002260	CUSHION ASSEMBLY LH
2	070002050	TUBE WELD RH
2A	070002252	TUBE WELD CUSHION LH
3	070011288	ROD-CURTAIN
4	000024534	EAR, HANGER CUSHION
5	070001432	PAD
6	000028529	URETHANE-PLUS RIVET
7	000024801	WASHER
8	000024796	WOOD PLANK-CUSHION RH
8A	000024795	WOOD PLANK-CUSHION LH
9	000022770	PAD CUSH SPNGE RUBBR
10	000024807	CUSHION-RUBBER RH
10A	000024808	CUSHION-RUBBER LH
11	090005230	CUSHION COVER REINFORCED
12	000026445	2 PLY PREMIUM PIN CURTAIN
12A	000026450	STANDARD PIN CURTAIN
13	070005610	LINK
14	070001422	BOLT-U
15	070001421	STRAP
16	945091242	WASHER-1 X1 1/2
17	913437240	PIN-SPRNG .187 X 1 1/2
18	808865320	SCREW-SOFL 3/8-16 X 2
19	951164002	WASHER-LK-SPLIT 3/8
20	839665002	NUT-FLX 3/8-16
21	808865400	SCREW-SOC.HD CAP 3/8-16 X 20

ITEM	PART NUMBER	DESCRIPTION
22	809857125	SCREW-HEX 5/16-18 X 3/4
23	844057002	5/16-18 STOVER LOCKNUT
24	000022824	CUSHION SHOCK ASSEMBLY
25	000022823	SHOCK ABSORBER
26	000022288	SPRING CUSHION
27	000022286	COLLAR-STRUT CUSHION
28	810250200	SCREW-SOC 1/4-28 X 1 1/4
29	951148002	1/4 IN SPLIT LOCKWASHER MED PLTD
30	000022287	WASHER SPRING SEAT
31	070007360	BRKT-SUPPORT WELD
32	070001396	PIN-CURTAIN LATCH
33	070001389	SPRING-CURTAIN LATCH
34	913431160	PIN-SPRNG .156 X 1
35	070004738	GUARD
36	809849125	SCREW-HEX 1/4-20 X 3/4
37	844049002	1/4-20 LOCK NUT
38	809857205	SCREW-HEX 5/16-18 X 1 1/4
39	963600002	WASHER-X 1/4 9000-16
40	948975172	1/2 USS WROUGHT WASHER TYPE A
41	000022821	PIN
42	000022822	SLEEVE
43	809857165	SCREW-HEX 5/16-18 X 1
44	721502005	BSHG-RUBR MONRO SHK
46	070011840	VELCRO CUSHION COVER
47	070011841	VELCRO LOOP CUSHION RH
47A	070011842	VELCRO LOOP CUSHION LH

Note: Spring is top on Monroe Shock, Bottom on Gabriel Shock. Gabriel Shock is no longer available.

070011641 URETHANE DOOR RING LH

070011642 URETHANE DOOR RING RH

Features:

- Eliminates ball scars and damages resulting from ball on metal contact
- Made of urethane polymer, smooth and strong material
- Designed with thicker cross sections and flanges for extra strength and stiffness
- Flange protects ball from kickback edges
- Inserts cast into part to make installation easier
- Re-enforced ribbing support guard
- Clearance for lift arm

090002450 BALL LIFT BELT

Features:

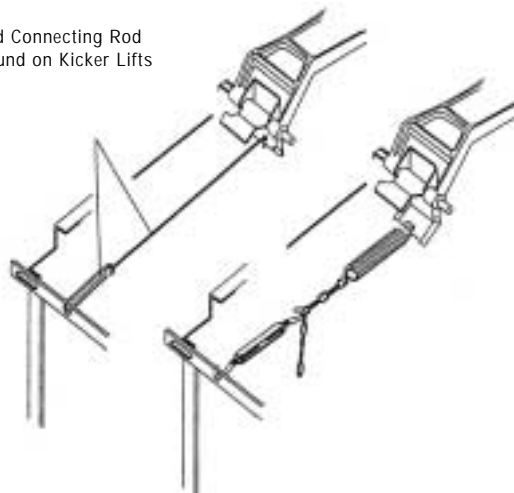
- Oil resistant, higher friction surface that resists twisting
- Superior tensile cord strength on the flat side of the belt
- V-guide is merely a guide
- V-guide does not separate
- Thicker belt (flat part) lengthens life



612070013 BALL LIFT PRESSURE KIT

ORIGINAL BALL LIFT SYSTEMS

Spring and Connecting Rod
are not found on Kicker Lifts



- Can more than double the effective lifting force
- Allows for heavy lane oil conditions
- Overcomes poor lubrication
- Easily adjustable pressure
- Thicker plate eliminates problems with springs pulling out holes
- Belts and rails do not have to be cleaned to remove oil nearly as often, or maybe not at all

Original Style Kicker Ball Lift Systems:

Uses the weight of the ball lift (approx. 40 lbs.) to create frictional forces required to lift a ball against the forces of gravity.

Original PBL's:

Uses the weight of the ball and an additional torque created by a small extension spring and connecting rod to increase effective forces by about 10%. These forces must again be large enough to squeeze the ball between the ball lift belt and the up rail covers and overcome gravity.

Problems Experienced Today with the Systems Above:

- Forces created by the weight and the frictional coefficient of the rubber belt and up rails must be larger than the weight of the ball, or the ball will not be lifted.

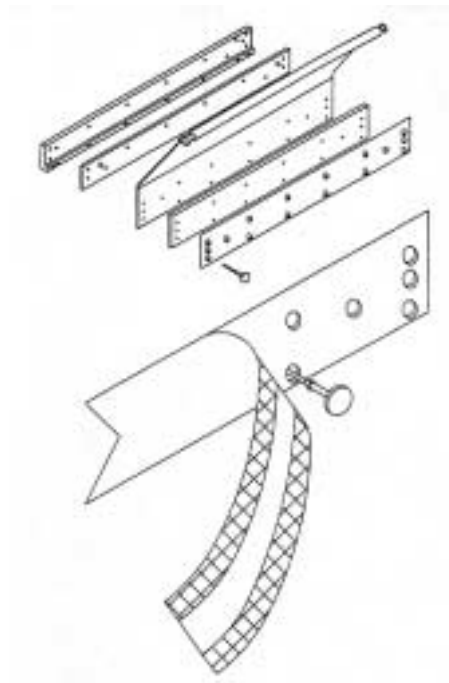
To lift a ball, the following condition must be met:

- Forces created by 40 lbs. Lift plus additional moments X frictional coefficients of surfaces > weight of ball
- Heavy lane oil conditions cause frictional coefficients of the rubber belt and up rails to drop significantly.
- Poor lubrication decreases effective weight of ball lift by preventing it from pivoting freely.
- Hydraulic sock which dampens the drop of the lift also reduces the effective weight of the lift. As the ball gets half way up the rails, the rails curve away from the lift. The lift must lower itself down further against the rails to maintain the lifting force of the ball will idle. The shock absorbs a significant amount of this required force and the ball starts idling. It is more difficult to overcome the idling once it has started. Typically the ball must start again from the bottom.
- Effective lifting forces and coefficients of friction both drop daily because of no maintenance, no lubrication, and heavy lane oiling.

070011840 COVER MATERIAL WITH STICED MALE "HOOK" VELCRO (FIRST TIME INSTALLATION REQUIRES VELCRO PURCHASE)

070011841 MOUNTING DIE CUT FEMALE "LOOP" VELCRO FOR RH CUSHION

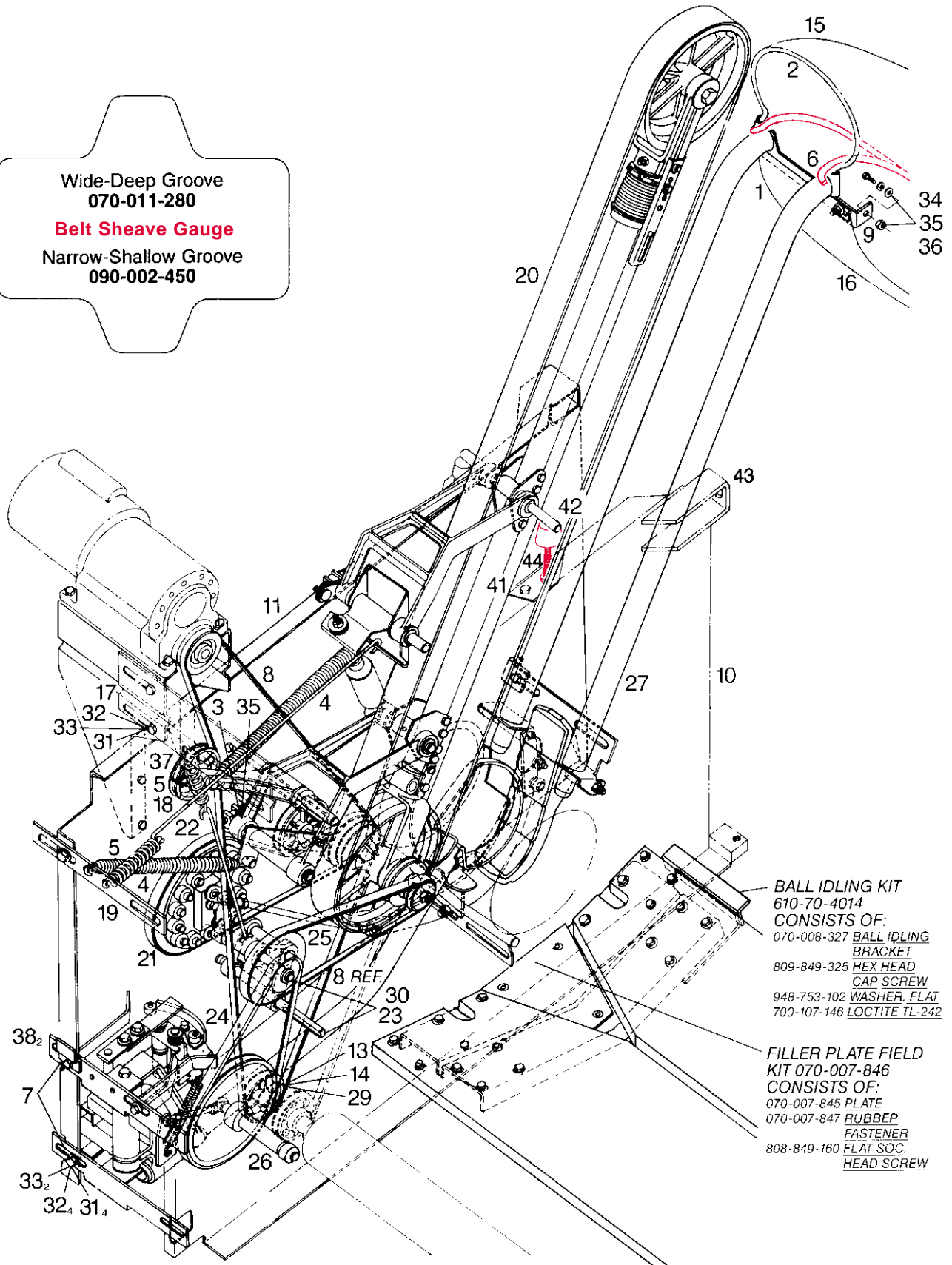
070011842 MOUNTING DIE CUT FEMALE "LOOP" VELCRO FOR LH CUSHION



- Reinforced "carpet belt" type material with a low friction "brushed" surface exposed for ball contact.
- Two strips of male "hook" Velcro are double stitched to the material with high strength, heavy polyester cord.
- Female "looped" Velcro is die cut to fit exactly like any other cushion cover. It is held in place with 16 rivets.
- Once installed, all rivet heads are protected from any ball contact. This means:
 - NO rivet head wear
 - NO balls sticking to rivet heads
 - NO marking from rivet heads
 - NO more rivet problems
- Outside material is simply pressed on.
Each time the ball hits the cushion, the material is pressed on that much harder.
- When it is time to change the cover, simply peel it off and stick on a new cover.
- Eliminates down time and cushion maintenance resulting from installing new rivets and pads every time a cushion cover is worn out.
- Outside cover with stitched on Velcro is universal.
- Presents a truly smooth, flat, non-marking surface for the ball to contact with no rivet heads exposed.



Wide-Deep Groove
 070-011-280
Belt Sheave Gauge
 Narrow-Shallow Groove
 090-002-450



BALL IDLING KIT
 610-70-4014
 CONSISTS OF:
 070-008-327 BALL IDLING
BRACKET
 809-849-325 HEX HEAD
CAP SCREW
 948-753-102 WASHER, FLAT
 700-107-146 LOCTITE TL-242

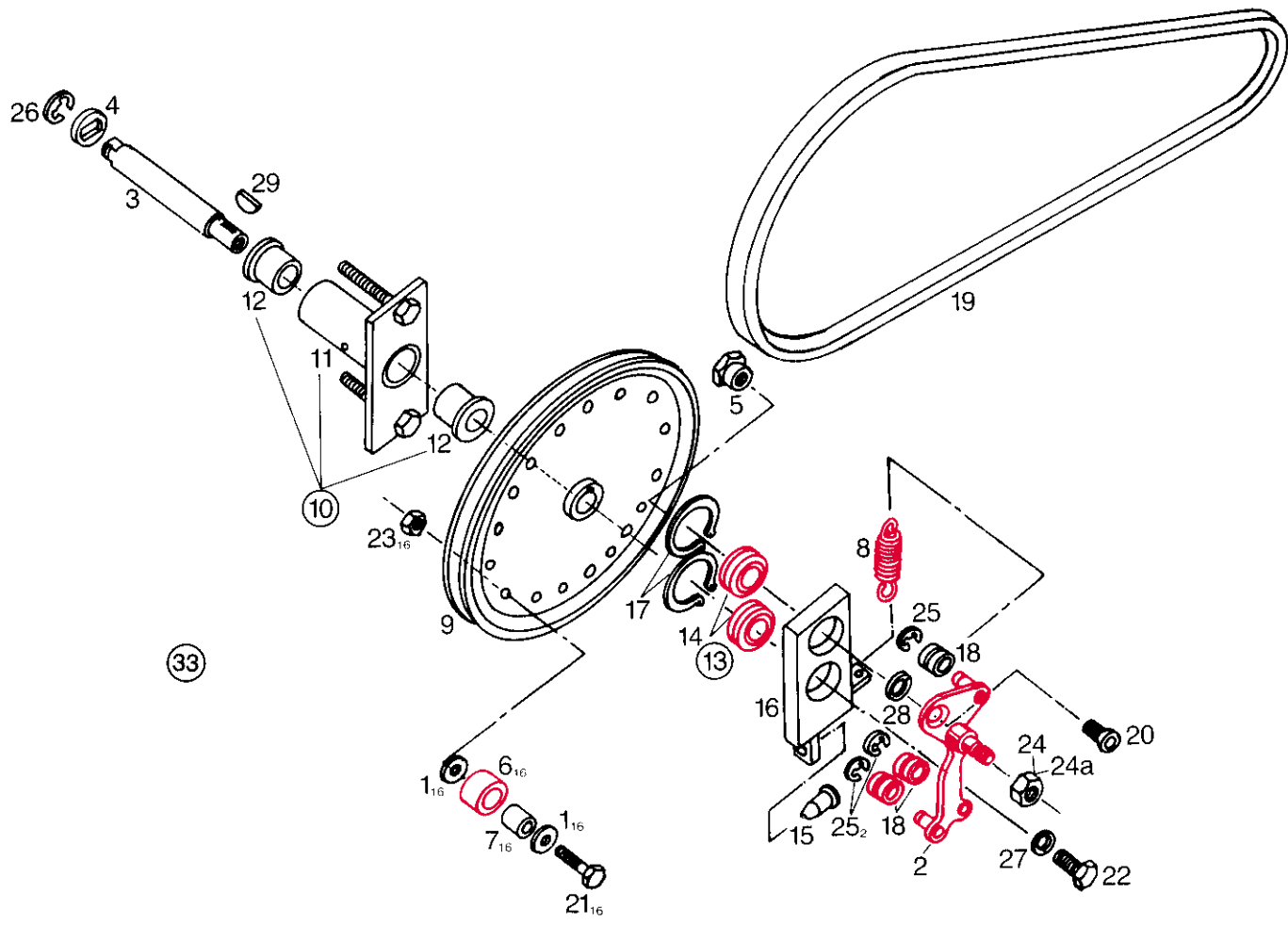
FILLER PLATE FIELD
 KIT 070-007-846
 CONSISTS OF:
 070-007-845 PLATE
 070-007-847 RUBBER
FASTENER
 808-849-160 FLAT SOC.
HEAD SCREW

ITEM	PART NUMBER	DESCRIPTION
1	000021813	WIPER SUPPORT
2	000021814	RING
3	000024610	STUD-CLAMP
4	000024673	SPRING-DIST
5	000026031	SPRING
6	000029629	TRACK WELD-DOWNSWEEP
7	000029910	SHIM-3/8 SLOT X 1 1/8OD
8	000022099	BELT-V PITCH LT 1133
9	070004654	BRKT-TRACK SUPPORT
10	090004126	KICKBACK RH/RH
11	090004129	KICKBACK LH/LH
12	610700122	LIGHT BALL SENSOR
13	070002034	ROLLER ASSEMBLY-REAR
14	070002097	SHEAVE-CARPET DRIVE
15	070004669	CLOTH-BALL WIPER
16	070004670	DUST TRAP
17	530707129	TIE PLATE ASSY-USED - OBS
18	070011034	EXTENSION ROD
19	070011035	STRAP
20	070011052	BALL LIFT ASSEMBLY
21	070011064	V-BELT GATES #1450
22	070011106	SPRING EXTENSION
23	070011132	BELT TENSIONER ASSEMBLY
24	070011147	V-BELT GATES #1380
25	070011148	V BELT

ITEM	PART NUMBER	DESCRIPTION
26	070011178	CRANK ASSEMBLY
27	070011414	TRACK RAIL ASSEMBLY-PBL
28	700107146	ADHSVE-LKTTE TL242 - OBS
29	806265160	SCREW-STSQ 3/8-16 X 1 CP
30	807265060	3/8-3/16 X 3/8 SOCKET SET,CUP PT
31	809857165	SCREW-HEX 5/16-18 X 1
32	844057002	5/16-18 STOVER LOCKNUT
33	948761112	5/16 WROUGHT WASHER
34	809865285	SCREW-HEX 3/8-16 X 1 3/4
35	844065002	NUT-STVR 3/8-16
36	948767132	WASHER 13/32 X 13/16 X 1/16
37	070007124	BELT TIGHTENER PACKAGE
38	070011310	SUPT-BE MTR GUARD
39	000024699	GUARD
40	070011401	GUARD WELD
41	070004642	BRKT-STOP-BALL LIFT
42	000024641	STOP BUMPER
43	000021792	WASHER FRAME
44	835558002	NUT-HEX-JAM 5/16-24
NOT SHOWN	612070013*	BALL LIFT PRESSURE KIT
	610704097**	82/70 PBL PLUS CONVERSION KIT
	610700178**	82/30 PBL PLUS CONVERSION KIT
	610704106	82/70 PBL CONVERSION KIT W/ BALL LIGHT SENSOR

* Kit includes: Plate - 070 011 832, Turn Buckle - 730 058 091, Chain - 705 890 108, Spring - 000 021 204, Strap - 070 011 035, Jam Nut - 835 565 002.
 ** The PBL Plus does not include a Light Ball Sensor.



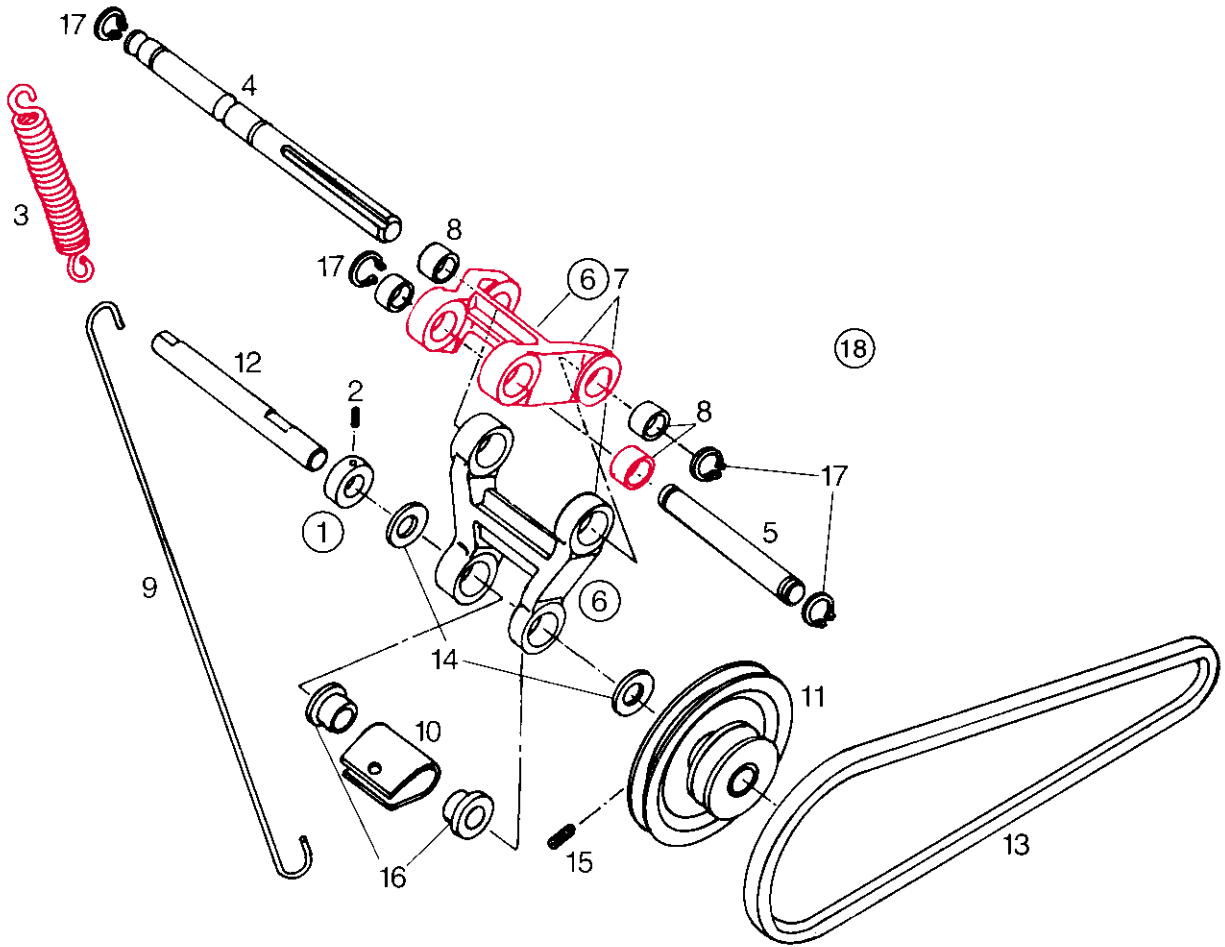


ITEM	PART NUMBER	DESCRIPTION
1	000026865	WASHER
2	070011217	WELD-RCHT ARM BL LFT
3	070011027	SHAFT
4	070011028	WASHER
5	070011029	NUT
6	070011030	ROLLER
7	070011031	SPACER
8	070011032	SPRING
9	070011033	PULLEY-RATCHET
10	070011036	BEARING & HOUSING ASSEMBLY
11	070011009	HOUSING WELDMENT
12	900212161	BEARING FL .753 X 1.003 X 1
13	070011037	CRANK ASSEMBLY
14	000024679	BEARING BL .625 X 1.375
15	070006142	BUMPER
16	070011013	CRANK WELDMENT
17	919000600	RING-RET. 5000-137
18	070011040	ROLLER-RATCHET ARM

ITEM	PART NUMBER	DESCRIPTION
19	070011064	V-BELT GATES #1450
20	808865140	SCREW-SOFL 3/8-16 X 7/8
21	809849205	1/4-20 X 1 1/4 MACHINE SCREW
22	809965125	SCREW-HEXPLK3/8-16 X 3/4
23	839549002	NUT-FLX-TK 1/4-20 HT
24	844065002	NUT-STVR 3/8-16
24 A	838866002	NUT-HEX-ESN-TN 3/8-24
25	919005200	RING-RET. 5100-31
26	919005800	RING-RET. 5100-75
27	948767132	WASHER 13/32 X 13/16 X 1/16
28	948964142	WASH-PLN 3/8 X 7/8 X 3/32
29	907000200	KEY-HY PRO 404

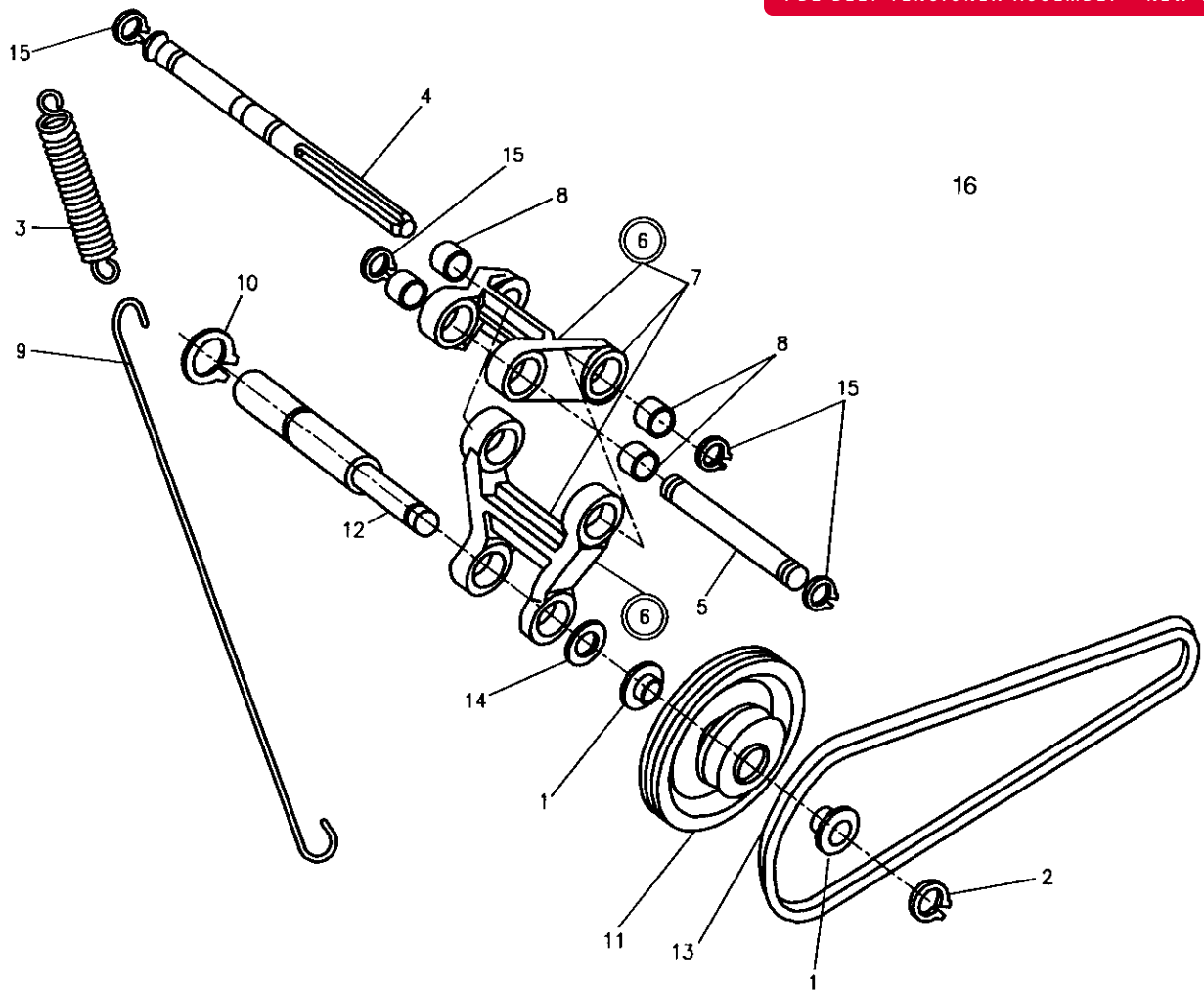
Note: Items listed below are used to mount ratchet drive assembly to side plate but are not shown

30	070008212	SPACER
31	844057002	5/16-18 STOVER LOCKNUT
32	948767132	WASHER 13/32 X 13/16 X 1/16
33	070011039	RATCHET ASSEMBLY



ITEM	PART NUMBER	DESCRIPTION
1	000021423	COLLAR 5/8 X 1 1/8 X 1/2
2	807357040	SCREW-STS05/16-18 X 1/4 K
3	000026031	SPRING
4	000029605	SHAFT-PIVOT
5	000029606	SHAFT-PIVOT-SHORT
6	000029659	HANGER ARM ASM
7	000029659	HANGER ARM ASM
8	900110081	BEARING SL .628 X .878 X 1/2
9	070011106	SPRING EXTENSION

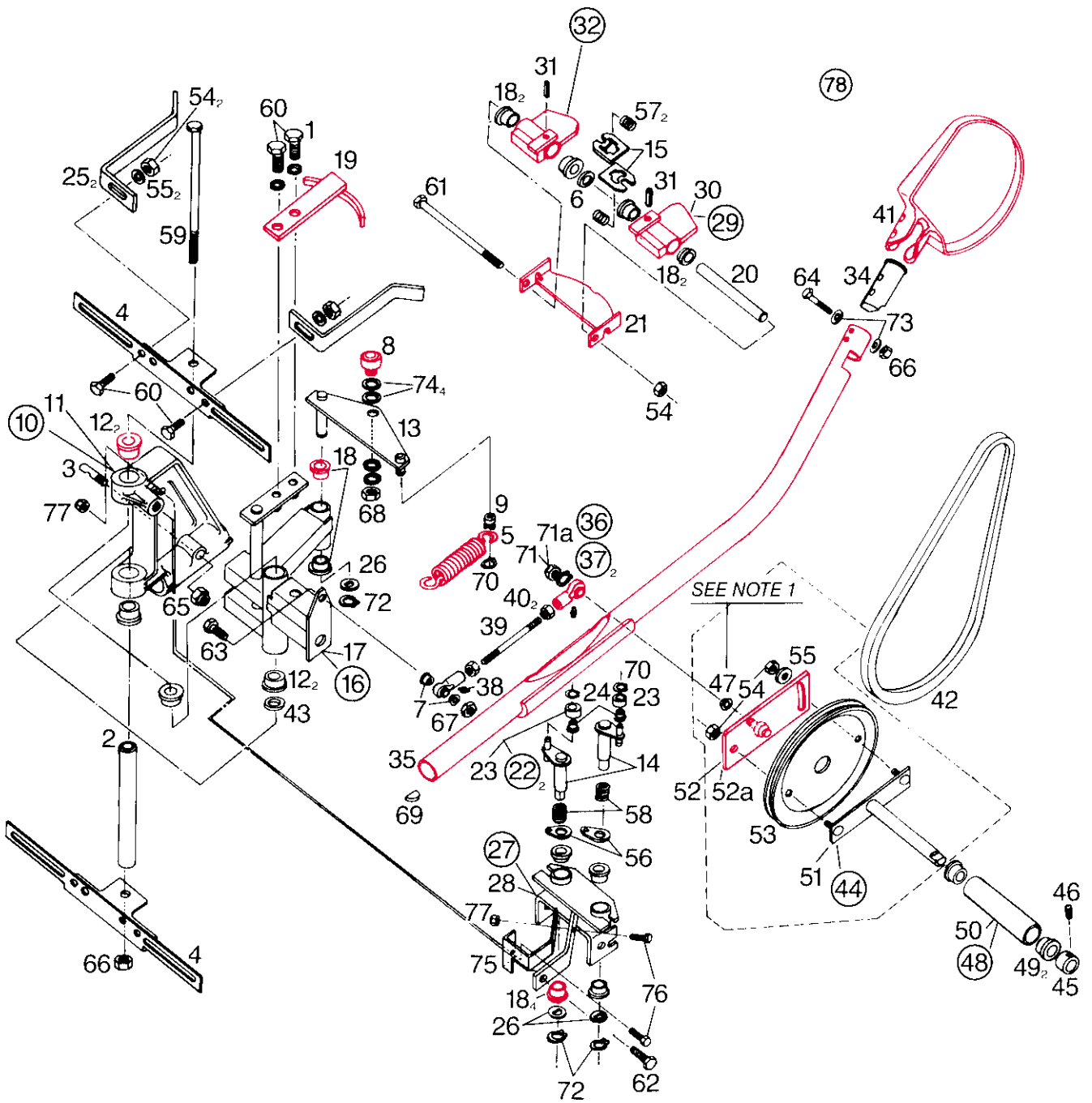
ITEM	PART NUMBER	DESCRIPTION
10	070011109	SPRING CLIP
11	070011131	PULLEY WELD
12	070011133	SHAFT
13	070011148	V BELT
14	701320045	BEARING TH .628 X 1 X 1/8
15	807257060	SCREW STCP 5/16-18 X 3/8
16	900210101	BEARING FL BZ .628 X 5/8
17	919005600	RING-RET. 5100-62
18	070011132	BELT TENSIONER ASSEMBLY



ITEM	PART NUMBER	DESCRIPTION
1	900208120	BEARING-FLANGE
2	919005500	RING-RET .5100-50
3	000026031	SPRING
4	000029605	SHAFT-PIVOT
5	000029606	SHAFT-PIVOT SHORT
6	000029659	HANGER ARM ASSEMBLY
7	000029625	HANGER ARM - OBS
8	900110081	BEARING SL .628 X .878 X 1/2

ITEM	PART NUMBER	DESCRIPTION
9	090002016	EXTENSION SPRING
10	919005900	RING-RET .5100-87
11	070011131	PULLEY WELD
12	090002014	SHAFT
13	070011148	V BELT
14	000027264	SPACER
15	919005600	RING-RET .5100-62
16	090002015	BELT TENSIONER ASSEMBLY

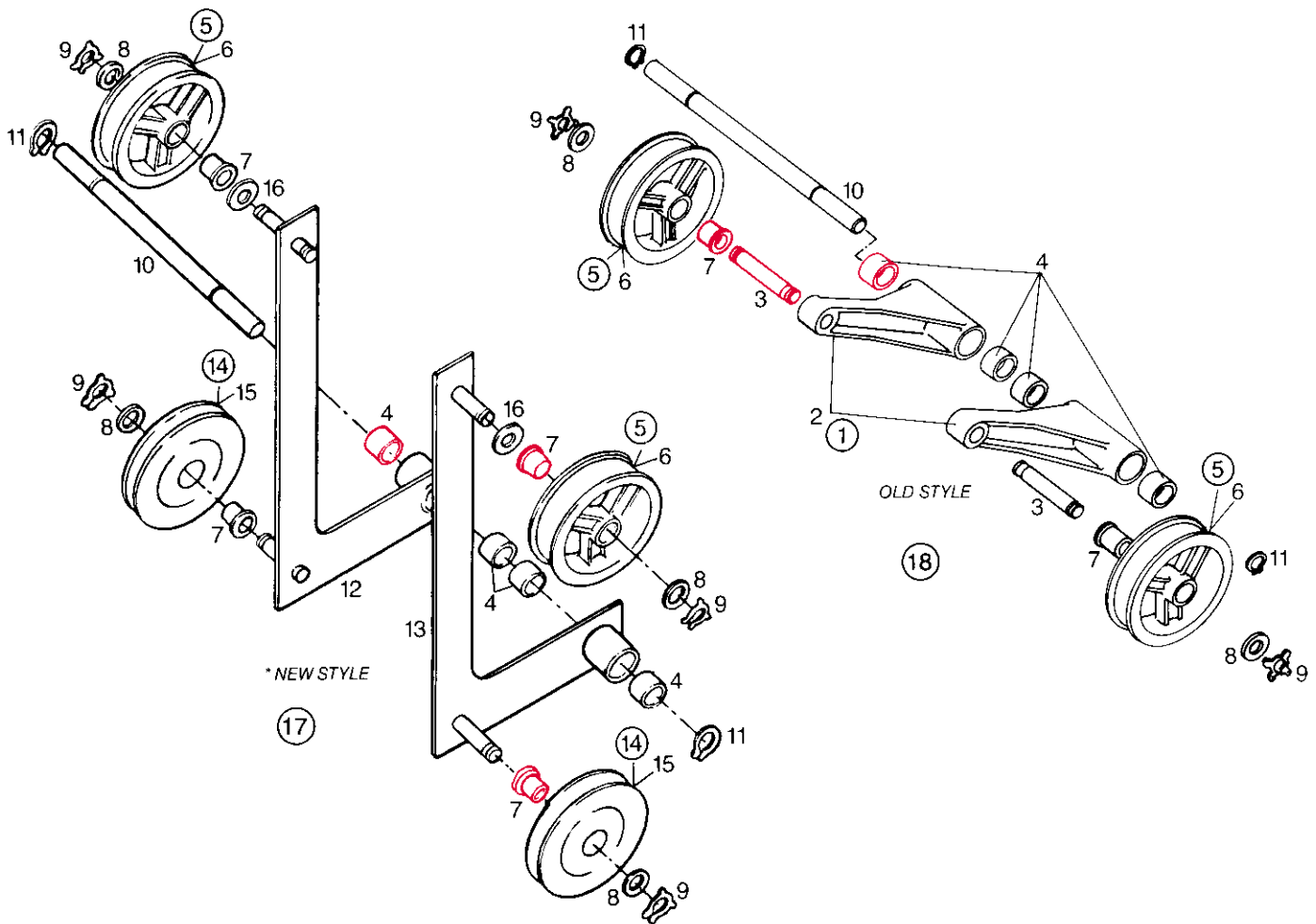




ITEM	PART NUMBER	DESCRIPTION
1	000022869	WASHER
2	000024615	SHAFT
3	000024616	CLAMP STUD
4	070011319	SUPPORT-RUDDER ARM
5	000026031	SPRING
6	000027264	SPACER
7	000029611	UNIBAL BEARING WASHER
8	070006728	CAM FOLLOWER
9	070011040	ROLLER-RATCHET ARM
10	070011066	RUDDER ARM SUPT AND ASSY
11	070011067	RUDDER ARM SUPT
12	900212201	BEARING FL .753 X 1 X 1.25
13	070011068	LINK WELD
14	070011626	TRIP ARM ASSEMBLY
15	070011077	TRIP FINGER
16	070011080	RUDDER DRIVE ASSEMBLY
17	070011079	RUDDER DRIVE WELD
18	900208091	BEARING FL .503 X .690 X 9/16
19	070011418	TRIP-CAM
20	070011098	SLEEVE
21	070011099	CAM
22	070011105	ROLLER ASSEMBLY
23	070011096	ROLLER
24	900205081	BEARING FL .315 X .44 X 1/2LG
25	070011107	TRIP ARM
26	070011108	WASHER
27	070011110	CAM SENSOR ASSEMBLY
28	070011100	CAM SENSOR WELD
29	070011407	RUDDER CAM ASSEMBLY LH
31	913448120	PIN-SPRNG .250 X 3/4
32	070011406	RUDDER CAM ASSEMBLY RH
34	070011121	PLUG
35	070011122	RUDDER ARM
36	070011123	ROD ASSEMBLY
36 A	090005258	ROD ASSY
37	000026446	ROD END
37 A	090005250	ROD END
38	710502010	FITTING-HEIM LU640
39	070011124	ROD
40	835566002	3/8-24 HEX STL THIN NUT

ITEM	PART NUMBER	DESCRIPTION
41	070011146	PADDLE
42	070011147	V-BELT GATES#1380
43	070011151	SPACER
44	070011178	CRANK ASSEMBLY
45	000021423	COLLAR 5/8 X 1 1/8 X 1/2
46	807357040	SCREW-STSO5/16-18X1/4K
47	000029611	UNIBAL BEARING WASHER
48	000029696	TUBE ADJUSTMENT ASSEMBLY
49	000021427	BEARING FL .629 X .878 X 1/8
50	000029697	TUBE-ADJUSTMENT
51	070011092	CRANK SHAFT WELD
52	070011225	WELD-CRANK ADJ PLATE
52 A	070011225	WELD-CRANK ADJ PLATE
53	070011097	CRANK PULLEY
54	844057002	5/16-18 STOVER LOCKNUT
55	948761112	5/16 WROUGHT WASHER
56	070011273	TAB
57	722971522	SPRNG-COMP .480D X 7/8
58	722985512	SPRING-COMPRESSION
59	802865996	SCREW-HHC3/8-16 X 9 1/2
60	809857165	SCREW-HEX 5/16-18 X 1
61	809857880	SCREW-HEX 5/16-18 X 5 1/2
62	809865165	SCREW-HEX 3/8-16 X 1
63	809865205	SCREW-HEX 3/8-16 X 1 1/4
64	809865405	SCREW-HEX 3/8-16 X 2 1/2
65	831573002	NUT-STD HEX 1/2-13
66	839565002	3/8-16 HEX NYLON LOCK NUT
67	840065002	NUT-FLX-TN 3/8-16
68	844070002	NUT-STVR-LK 7/16-20
69	907000900	KEY-HY PRO 910
70	919005200	RING-RET. 5100-31
71 *	919005300	RING-RET. 5100-37
71 A	838866002	NUT-HEX-ESN-TN 3/8-24
72	919005500	RING-RET. 5100-50
73	948767132	WASHER 13/32 X 13/16 X 1/16
74	949100002	WASHER 59/64 X 15/32
75	070011299	BRACE-SENSOR
76	809849145	SCREW-HEX 1/4-20 X 7/8
77	844049002	1/4-20 LOCK NUT
78	610700122	LIGHT BALL SENSOR ASSY

* Retaining ring and spacer in this application only replaced by item 71a in January 1978



ITEM	PART NUMBER	DESCRIPTION
1	070001411	ARM ASSEMBLY
2	000029628	ARM-IDLER
3	070002072	SHAFT-IDLER
4	900112121	BEARING SL .753 X 3/4 LG
5	000021408	IDLER PULLEY ASM
6	000021408	OBSOLETE
7	900208161	BEARING FL .503 X .875 X 1
8	948975172	1/2 USS WROUGHT WASHER TYPE A
9	963600002	WASHER-X 1/4 9000-16

ITEM	PART NUMBER	DESCRIPTION
10	000029603	SHAFT
11	919005800	RING-RET. 5100-75
12	070011524	BELT TIGHTENER ASSY LH X WIDE
13	070011523	BELT TIGHTENER ASSY RH X WIDE
14	070011525	IDLER SHEAVE ASSEMBLY
15	070011526	IDLER SHEAVE BELT TI
16	701316041	BEARING TH .5100 X 1 X 1/16
17	070011810	BELT TIGHTNER PBL
18	070007124	BELT TIGHTENER ASSY (OLD)

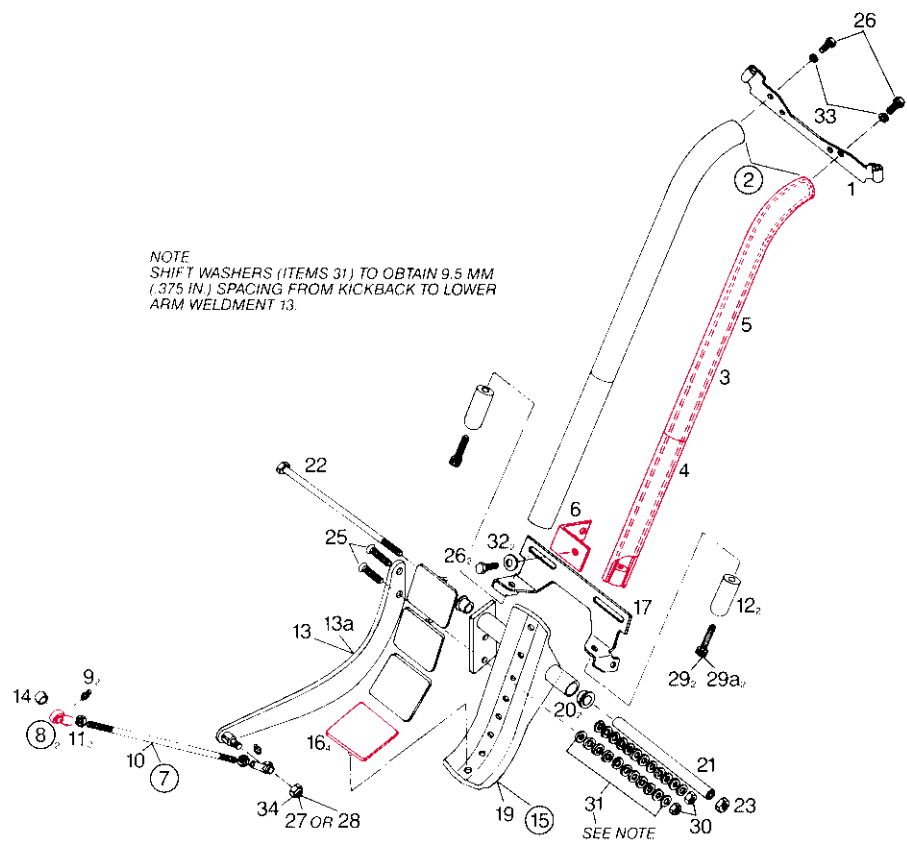
* New style first used on Serial No. 151326

090002450 BALL LIFT BELT

Features:

- Oil resistant, higher friction surface that resists twisting
- Superior tensile cord strength on the flat side of the belt.
- V-guide is merely a guide
- V-guide does not separate
- Thicker belt (flat part) lengthens life





NOTE
SHIFT WASHERS (ITEMS 31) TO OBTAIN 9.5 MM (.375 IN.) SPACING FROM KICKBACK TO LOWER ARM WELDMENT 13.

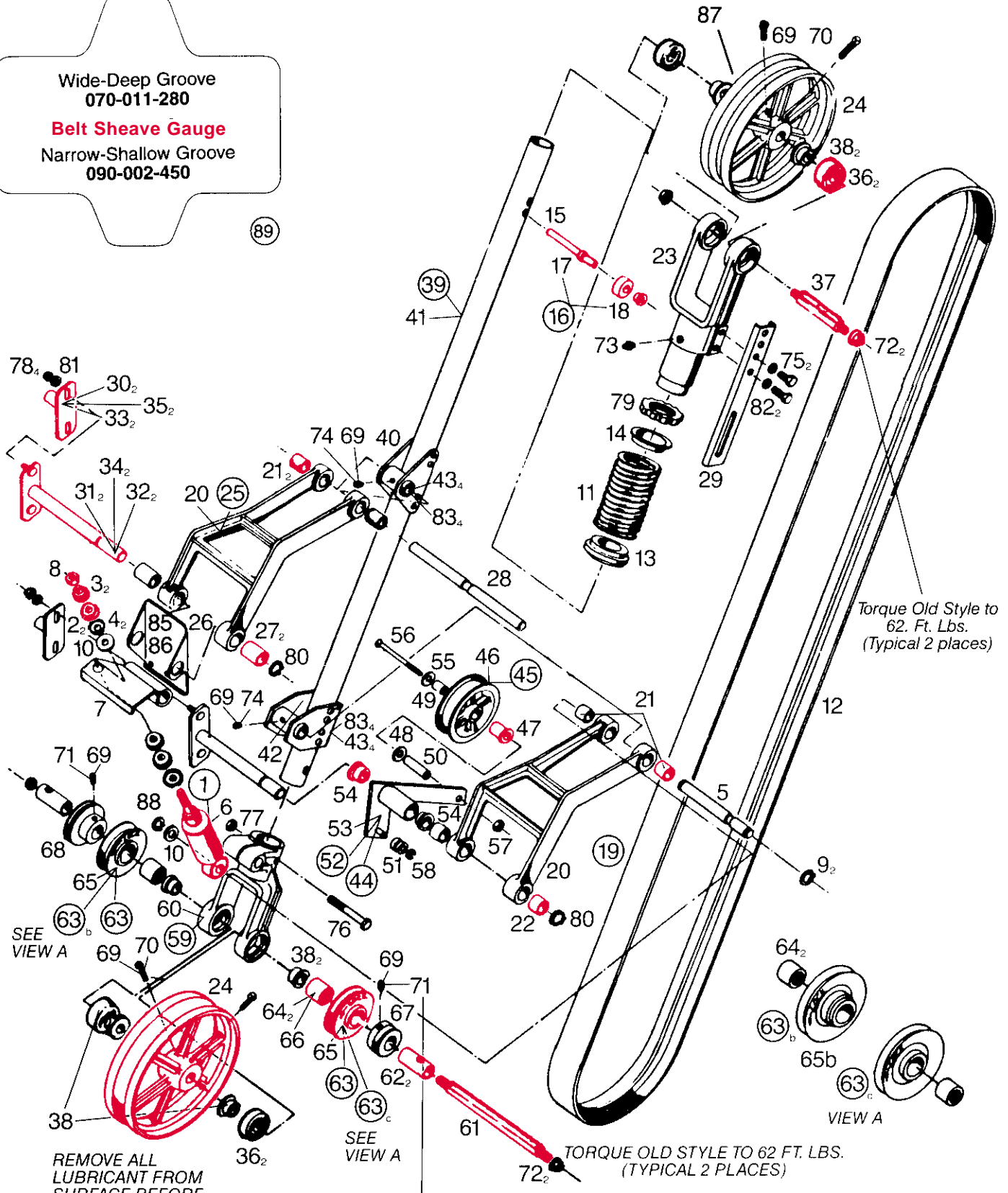
ITEM	PART NUMBER	DESCRIPTION
1	000021813	WIPER SUPPORT
2	000024663	COVER-TRACK-UPPER
	070011440	TRACK COVER LOWER
	000024666	TRACK RAIL WELD
3	000024663	COVER-TRACK-UPPER
4	070011440	TRACK COVER LOWER
5	000024666	TRACK RAIL WELDMENT
6	000024668	TRACK SUPT BRKT
7	090005259	ROD ASSY
8	000026446	ROD END
8A	090005250	ROD END
9	710502010	FITTING-HEIM LU640
11	835566002	3/8-24 HEX STL THIN NUT
12	070011018	BALL GUIDE
13*	070011375	LEVER ARM ASSEMBLY-STD (SEE BELOW FOR PARTS AND QUANTITIES)
14	070011053	SPACER - OBS
15	070011413	LIFT ASSEMBLY-TRK ASSEMBLY PBL

ITEM	PART NUMBER	DESCRIPTION
16	090002024	LINER
17	070008191	BRKT-BALL LIFT
19	070011411	WELD-LFT ARM-TRK ASSEMBLY
20	900210161	BEARING FL BZ .628 X 1
21	070011063	SHAFT
22	809865992	SCREW HEXHDCP 3/8-16 X 9
23	844065002	NUT-STVR 3/8-16
25	808857280	SCREW FSH5/16-18 X 1 3/4
26	809865165	SCREW-HEX 3/8-16 X 1
27	809865205	SCREW-HEX 3/8-16 X 1 1/4
28	809865325	SCREW-HEX 3/8-16 X 2
29	810265400	SCREW-SCHD3/8-16 X 2 1/2
29A	810365401	SCREW-SHC LK 3/8-16 X 2 1/2
30	844057002	5/16-18 STOVER LOCKNUT
31	948767132	WASHER 13/32 X 13/16 X 1/16
32	958584002	WASHER-SHKPRF
33	951164002	WASHER-LK-SPLIT 3/8
34	838866002	NUT-HEX-ESN-TN 3/8-24

* Order 070 011 218 - Lever Arm and 838 866 002 - Hex Nut x 2.
 Note: In some older installations the Track Tube Assemblies may require fine thread bolts listed below as substitutes: Substitute 26809866165 Screw, hex head 3/8-24-1; substitute 29A-810-366-401 Soc. Head Cap Long Loc 3/8-24 x 2 1/2; Items 27 or 28 are replaced by an ESNA Nut after 1-78; Part #838-866-002-Nut, ESNA Hex Thin 3/8-24 Item 34

Wide-Deep Groove
070-011-280
 Belt Sheave Gauge
 Narrow-Shallow Groove
090-002-450

(89)



Torque Old Style to 62. Ft. Lbs. (Typical 2 places)

SEE VIEW A

VIEW A

REMOVE ALL LUBRICANT FROM SURFACE BEFORE ASSEMBLY

SEE VIEW A

TORQUE OLD STYLE TO 62 FT. LBS. (TYPICAL 2 PLACES)

APPLY ITEM 69 TO ALL SET SCREWS BEING SURE TO WIPE EXCESS FROM ALL BEARING SURFACES.

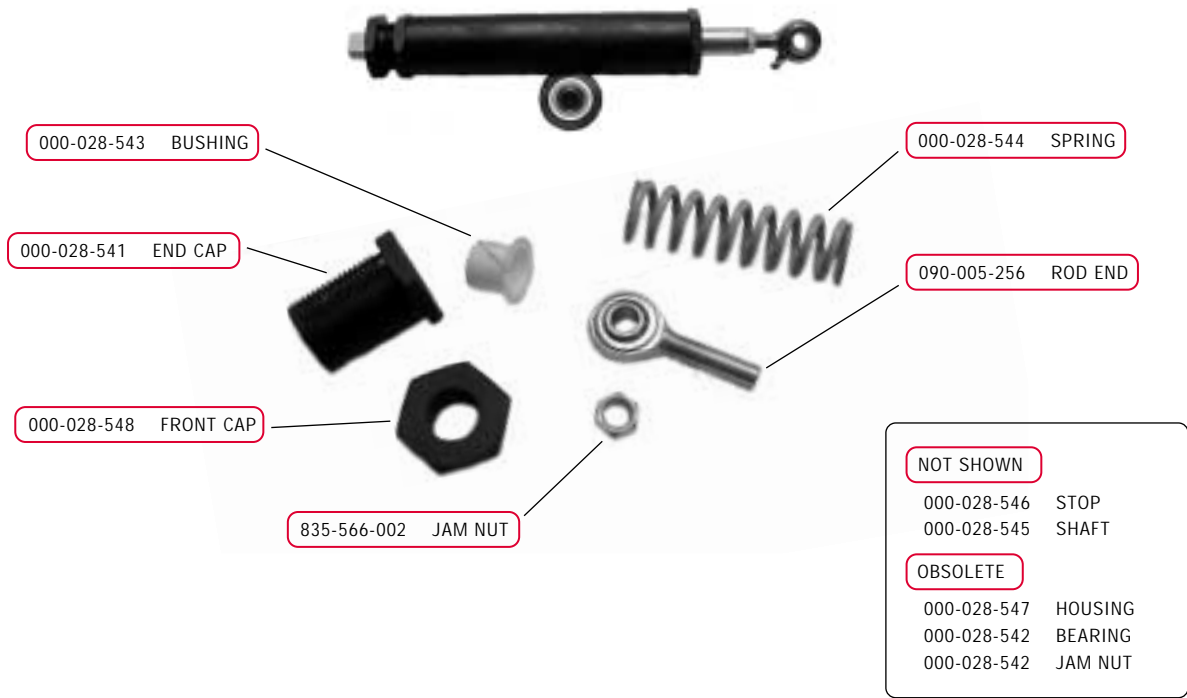
ITEM	PART NUMBER	DESCRIPTION
1	070011323	SHOCK ABSORBER ASSEMBLY
3	000027998	RETAINER
4	000028057	RETAINER CUSH GUIDE
5	000029660	SHAFT
6	000029661	SHOCK ABSORBER
7	070011289	BRKT-SHOCK ABSORBER
8	831566002	NUT-HEX 3/8-24
9	919005600	RING-RET. 5100-62
10	948983212	5/8 WROUGHT WASHER
11	000024603	SPRING-COMP.BALL LFT
12	090002450	BALL LIFT BELT-FOR NARROW SHALLOW GROOVE
12A	070011280	LIFTBELT- FOR WIDE DEEP GROOVE
13	000024605	RETAINER LOWER
14	000024608	RETAINER UPPER
15	000024648	PIN PIVOT
16	000024650	ROLLER ASSEMBLY
17	000024647	ROLLER
18	900206081	BEARING FL .378 X .688 X 1/2
19	000024651	LINK ASSEMBLY
20	000024651	LINK ASSEMBLY
21	900110121	BEARING SL .628 X 3/4 LG
22	900112161	BEARING SL .753 X 1
23	070001995	YOKE ASSEMBLY-W/ BEARING NUT
24	000024661	PULLEY
25	000024720	LINK ASSEMBLY UPPER
26	000024716	SPRING HOLDER
27	900112203	BEARING SL .753 X 1 X 1 1/4
28	000028737	SHAFT
29	000029613	RAIL
30*	070006320	SHAFT ASSY ADJ 9 1/2" TO 11" SPACING
31*	070006325	SHAFT ASSY FIXED 9 1/2" TO 11" SPACING
32*	070006328	SHAFT ASSY FIXED 11" TO 12 5/8" SPACING
33*	070006329	SHAFT ASSY ADJ 11" TO 12 5/8" SPACING
36A	070011797	BEARING BALL-D BORE
36B	610905704	STRT BOR BRNG & SPCR KIT
37A	070011795	SHAFT-UPPER D
37B	610900711	STRAIGHT SHFT&SPACER KIT UPPER
38	070006748	SPACER
39	070011004	TUBE&SUPPT ASSEMBLY
40	000024606	SUPPORT
41	000024607	TUBE
42	070011002	SUPPORT
43	809849365	SCREW-HEX 1/4-20 X 2 1/4
44	070011042	BELT TIGHTNER
45	000021408	IDLER PULLEY ASM
46	000021408	IDLER PULLEY ASM
47	900208161	BEARING FL .503 X .875 X 1

ITEM	PART NUMBER	DESCRIPTION
48	070007192	WASHER-RESPOT CELL ASSEMBLY
49	070008217	SPACER
50	070008218	SPACER
51	070011040	ROLLER-RATCHET ARM
52	070011041	BELT TIGHT
53	070008215	WELD
54	900212161	BEARING FL .753 X 1.003 X 1
55	146005277	WASHER
56	808849565	SCREW-SOFL 1/4-20 X 3 1/2
57	839549002	NUT-FLX-TK 1/4-20 HT
58	919005200	RING-RET. 5100-31
59	000024659	YOKE LOWER
60	000024659	YOKE LOWER
61A	070011796	SHAFT-LOWER D
61B	610900709	STRAIGHT SHFT&SPCER KIT LOWR
62	090003401	CLUTCH RACE-WITH SLOT
63A**	070008205	SHEAVE ASSEMBLY BALL LIFT
63B**	000024811	PULLEY ASSEMBLY RH 5"
63C**	000024812	PULLEY ASSEMBLY LH 5"
64**	070007291	BEARING CL.9995X1.312X1
65A**	070008204	SHEAVE 3 1/2"
65B**	000028771	SHEAVE 4 1/4"
66	700107170	ADHSVE-LKTE 609
67	070008210	SHEAVE
68	070008211	SHEAVE
69	700107146	ADHSVE-LKTTE TL242 - OBS
70	806265160	SCREW-STSQ 3/8-16 X 1 CP
71	807265080	SCREW-STS03/8-16 X 1/2 CP
72	856070002	NUT-FLANGED 7/16-20
73	710501007	FITTING-ALMTE 1792B
74	807265060	3/8-3/16 X 3/8 SOCKET SET, CUP PT
75	809865165	SCREW-HEX 3/8-16 X 1
76	809865445	3/8-16 X 2-3/4 HEX BOLT
77	839665002	NUT-FLX 3/8-16
78	840057002	NUT-FLEX THIN5/16-18
79	845100000	NUT-LK-BEARING N-10
80	919005800	RING-RET. 5100-75
81	948761112	5/16 WROUGHT WASHER
82	951164002	WASHER-LK-SPLIT 3/8
83	839549002	NUT-FLX-TK 1/4-20 HT
84	070008212	SPACER
85	612070013	BALL LIFT PRESSURE KIT
86	070011832	PRESSURE PLT FOR BALL LIFT
88	070008212	SPACER (NOT SHOWN)
87	000027642	WASHER
89	070011052	BALL LIFT ASSEMBLY
NOT SHOWN	950001008	SPACER

* 9-1/2"=241.30 MM, 11"=279.40 MM, 12-5/8=320.68 MM, 14"=355.6 MM, 3-1/2-88.9 MM, 4-1/4"=107.95 MM.
 ** Refer to view that matches your Ball Lift Assembly for item numbers.
 Adjustable Ball Lift Support Shafts (Items 30 thru 35) are provided to allow alignment of the Ball Lift to the track rails.
 Adjustment is required when the Shaft Supports on the metal Kickback Assemblies are not aligned.
 Alignment is achieved by turning plates on the Support Shaft Assemblies until the plates are parallel to the direction of offset. (See vies A).
 Note: Optional Replacement Kit for 070 011 796 is 610 900 708 - D Bore Shaft & Bearing Kit Lower (2 Bearings / 1 Shaft / 1 Spacer).
 Optional Replacement Kit for 070 011 795 is 610 900 714 - D Bore Shaft & Bearing Kit Upper (2 Bearings / 1 Shaft / 1 Spacer).
 Optional Replacement Kit for 070 011 797 is 610 905 703 - D Bore Bearing & Spacer Kit (1 Bearing / 1 Spacer).
 Direct Replacement for 070 006 746 is 610 900 709 - Straight Bore Shaft & Spacer Kit Lower (1 Shaft / 1 Spacer).
 Direct Replacement for 070 006 747 is 610 900 711 - Straight Bore Shaft & Spacer Kit Upper (1 Shaft / 1 Spacer).
 Direct Replacement for 070 006 699 is 610 905 704 - Straight Bore Bearing & Spacer Kit (1 Bearing / 1 Spacer).



000028540 SPRING LOADED DRIVE LINK ASSEMBLY



KICKER ROLLERS FOR EVERY CONDITION



- Red kicker roller features a double concave cam surface that allows the ball to fall lower and then get booted in to the return slot.
- Yellow kicker roller features a single concave cam surface, giving you the advantages of the red roller but with more material for better durability.
- Green reverse kicker roller offers a greater contact area that will suck the ball into the ball door.
- All kicker rollers are made of soft, strong, abrasion-resistant urethane – the perfect balance of strength and resilience. All include a larger hexagonal hub, which can be held with a wrench for easy installation and is less likely to strip the set-screw hole. Each has been tested by AMF mechanics and in high-lineage centers to ensure dependable performance.

610704097 PBL PLUS CONVERSION KIT

What is it?

An economical way to convert an 82-70 kicker ball lift system to a positive ball lift system using existing components. The addition of a specially engineered adjustable pulley and shock system to the paddle simplifies the operation of the rudder drive system and increases its reliability. Once initial adjustments are completed, they do not change.

Why do you need it?

To eliminate "Ball Calls" that cause your customers to wait. The PBL Plus kit eliminates all of the problems listed below with kicker systems.

Included in the kit is:

- New Urethane Ball Doors
- New Urethane Paddle
- New Rudder Arm
- New Ratchet Wheel Assembly, Rod and Lift Arm
- New Rudder Drive Link
- New Tensioner
- New Rudder Drive Pulley
- New Lower Ball Lift Mounting Bracket

Key Features:

- Converts a kicker style exit system to a Positive Ball Lift system
- Eliminates much of the conditioner problem in the exit system
- The ball is lifted to the ball lift belt
- Installation requires just a few hours
- No more kickers rollers and belts
- Makes the exit area more accessible
- Reduces ball return calls

000028540 SPRING LOADED DRIVE LINK FOR RUDDER ARM

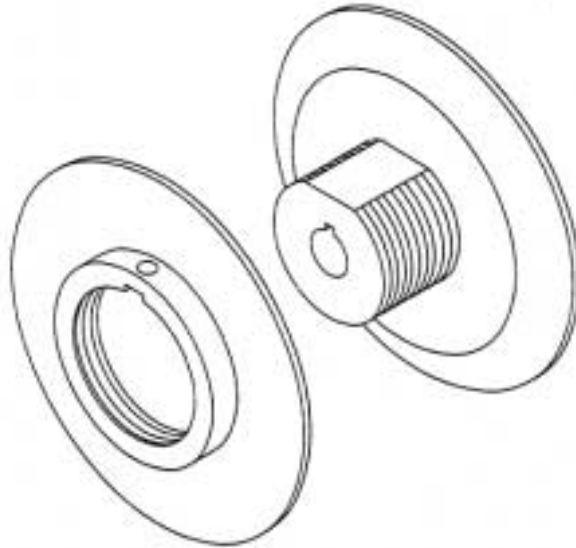
Features:

- No more leaky hydraulic shocks
- Adjustable spring pressure
- 3 inch springs for low stress and wide range
- Piston is supported at each end
- Fully encased unit for protection
- Fully serviceable

NOTE: SPRING LOADED DRIVE LINK LOCATED ON PAGES 58-59



000024598 ADJUSTABLE SPEED SHEAVE

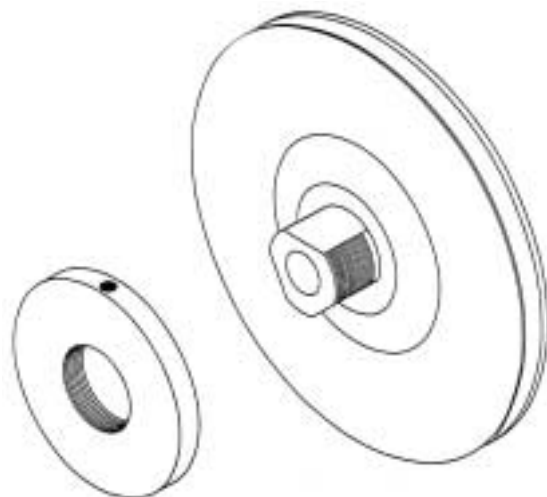
**Problems with Pin Feed on Pinspotters:**

- Pins do not always slide perfectly on the orientor pan for many reasons including pin damage, grease, poor adjustment, etc.
- Older pins with scars and knicks do not slide well at all causing pin spacing to become close. This results in higher costs associated with replacing old pins with new ones to reduce machine calls and pin pile-ups.
- 82-70 distributor arm gets shorter feeding the 2, 4, & 7 pins while the distributor belt speed remains constant. This effect actually accelerates the pin to these locations making perfect spacing between the pins crucial to avoid pin jam.
- Tight or loose clutch adjustment, bent tubes, poor lubrication, and a wide variety of other adjustments inhibit the distributor's normal free range of motion and slow its movements from location to location.
- Even though the distributor may slip or wave, the belt speed remains constant and the pin is not going to wait.

Solution:

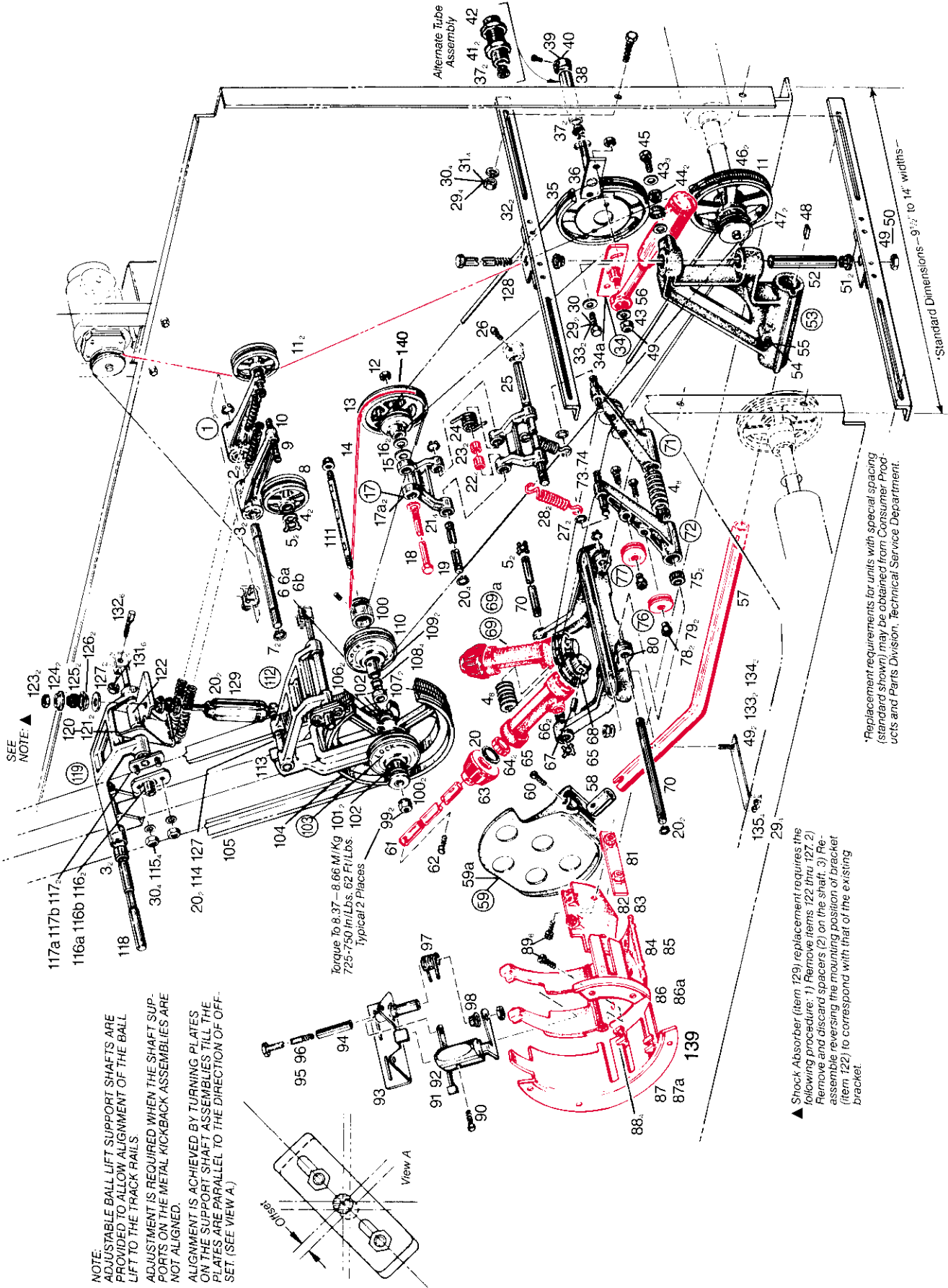
- Slow the speed of the pin wheel down to create more spacing between the pins on the distributor belt. This gives the distributor more room for error.
- The bigger the spacing the better chance of avoiding a pin jam.
- The adjustable sheave provides a potential reduction in speed of up to 17%.
- The adjustable speed sheave allows you to optimize the pin feed of the backend to the ability of the distributor.

000024599 ADJUSTABLE SPEED RUDDER DRIVE SHEAVE



- Slows paddle to optimum speed allowing light balls access to the lift.
- Adjustable sheave allows you to accommodate rudder drive speed to the ability of the pair of machines.
- Best when used with spring loaded drive link, AMF #000028540. This combination will give the best results in terms of adjustable strength and speed.
- Adjustable speed ratio range is from as fast as 2:1 and as slow as 4:1.
- For kicker style ball sifts used with 82-70 machines only.

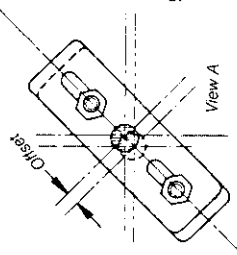




SEE NOTE ▲

NOTE:
ADJUSTABLE BALL LIFT SUPPORT SHAFTS ARE PROVIDED TO ALLOW ALIGNMENT OF THE BALL LIFT TO THE TRACK RAILS.
ADJUSTMENT IS REQUIRED WHEN THE SHAFT SUPPORTS ON THE METAL KICKBACK ASSEMBLY ARE NOT ALIGNED.
ALIGNMENT IS ACHIEVED BY TURNING PLATES ON THE SUPPORT SHAFT ASSEMBLY TILL THE PLATES ARE PARALLEL TO THE DIRECTION OF OFF-SET. (SEE VIEW A)

Torque To 8.37-8.66 M/Kg 101,
725-750 In/Lbs. 62 Ft/Lbs. 102
Typical 2 Places



▲ Shock Absorber (item 129) replacement requires the following procedure: 1) Remove items 122 thru 127 2) Remove and discard spacers (2) on the shaft. 3) Re-assemble reversing the mounting position of bracket (item 122) to correspond with that of the existing bracket.

*Replacement requirements for units with special spacing (standard shown) may be obtained from Consumer Products and Parts Division, Technical Service Department.

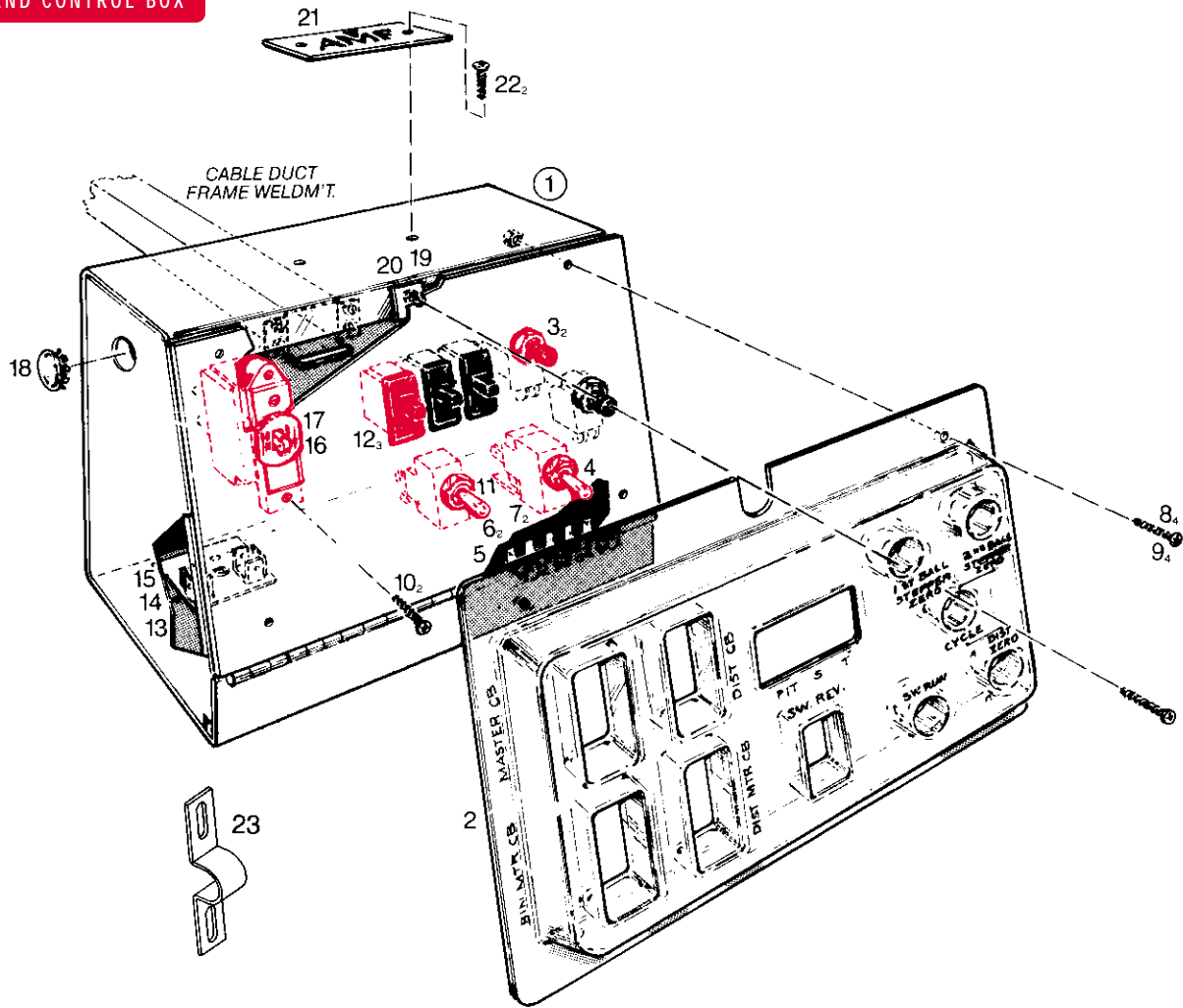
*Standard Dimensions—9 1/2" to 14" widths—
49 50

ITEM	PART NUMBER	DESCRIPTION
1	000021409	BELT TIGHTNER ASSEMBLY
2	000024673	SPRING-DIST
3	900112121	BEARING SL .753 X 3/4 LG
4	948975172	1/2 USS WROUGHT WASHER TYPE A
5	963600002	WASHER-X 1/4 9000-16
6	000029603	SHAFT
6 A	000021435	SHAFT SPECIAL
7	919005800	RING-RET. 5100-75
8	000021408	IDLER PULLEY ASM
9	070002072	SHAFT-IDLER
10	000029628	ARM-IDLER
11	000022099	BELT-V PITCH LT 1133
12	844073002	1/2-13 STOVER LOCKNUT
13	000024599	ADJ.SPEED SHEAVE-RUDDER ARM
14	000027710	BELT-V-36 OUTSIDE
15	000027264	SPACER
16	701320045	BEARING TH .628 X 1 X 1/8
17	070011132	BELT TENSIONER ASY
17 A	000029659	HANGER ARM ASM
18	000029608	SHAFT-SHEAVE
19	000029606	SHAFT-PIVOT-SHORT
20	919005600	RING-RET. 5100-62
21	900110081	BEARING SL .628 X.878 X 1/2
22	900110141	BEARING SL .628 X.878 X 7/8
23	900110161	BEARING SL .628 X1
24	000029609	SPRING TORSION
25	000029605	SHAFT-PIVOT
26	806265160	SCREW 3/8-16 X 1
27	000028866	RING - OBS
28	000029601	SPRING
29	844057002	5/16-18 STOVER LOCKNUT
30	948761112	5/16 WROUGHT WASHER
31	809857165	SCREW-HEX 5/16-18 X 1
32	070011319	SUPPORT RUDDER ARM
33	809857205	SCREW-HEX 5/16-18 X 1 1/4
34	000022092	CRANK PLATE WELDMENT
35		NOT AVAILABLE
36	000029695	SHAFT WELD-CRANK
37	000021427	BEARING FL .629 X .878 X 1/8
38	000029696	TUBE ADJUSTMENT ASSEMBLY
39	000021423	COLLAR 5/8 X 1 1/8 X 1/2
40	807249040	1/4-20 X1/4 SCKT SET SCREW CUP
41	530029596	NUT-LOCKING USED - OBS
42	000021428	TUBE ADJUSTING ASSY
43	000029611	UNIBAL BEARING WASHER
44	000029614	HEIM UNIBAL
45	809865245	SCREW-HEX 3/8-16 X 1 1/2
46	070002097	SHEAVE-CARPET DRIVE
47	000028865	BELT-V PITCH LT 34 5
48	907000900	KEY-HY PRO 910
49	839665002	NUT-FLX 3/8-16
50	802865996	SCREW-HHC 3/8-16 X 9 1/2
51	900212201	BEARING FL .753 X 1 X 1.25
52	000024615	SHAFT
53	070011067	RUDDER ARM SUPT
54	000024616	CLAMP STUD
55	835573002	NUT-HEX-JAM 1/2-13 CD
56	000029671	LINK-DR.RUDDER ASSEMBLY
57	000024614	ARM-RUDDER
58	000024622	PLUG RUDDER ARM
59 *	070011408	PADDLE-KICKER ROLLER (SEE BELOW FOR PARTS AND QUANTITIES)
60	809865405	SCREW-HEX 3/8-16 X 2 1/2
61	000022077	ROLLER SHAFT
62	807257080	SCREW-STCP 5/16-18 X 1/2 - OBS
63	000022080	RUBBER ROLLER
64	000024679	BEARING BL .625 X 1.375
65	700107370	ADHSVE-LKTE #290 - OBS
66	000025621	BEARING SL .502 X .689 X 2.495
67	913437200	PIN-SPRNG .187 X 1 1/4
68	000022082	PULLEY-ROLLER DRIVE
70	000029610	SHAFT-ROLLER BASE
71	000021407	IDLER ARM ASSEMBLY RH

ITEM	PART NUMBER	DESCRIPTION
72	000022218	IDLER ARM ASSEMBLY LH
74	700107200	ADHESIVE - OBS
75	900108081	BEARING SL BZ .503 X 1/2LG
76	000021417	IDLER ROLLER ASSEMBLY
77	000022096	IDLER ASM ELEV
78	809849145	SCREW-HEX 1/4-20 X 7/8
79	000022173	NUT-SPECIAL
80	000029638	BASE-ROLLER
81	000024745	NUT PLATE ASM
82	000029959	PAD-FILLER ASSEMBLY
83	000025638	BUMPER RUBBER-3/16
84	000024678	FILLER ASSEMBLY-FRONT
85	000024628	PAD-RUBBER
86	000024624	SEGMENT-REAR RH
86 A	000024623	SEGMENT-REAR LH
87	000024625	SEGMENT-FRONT RH
87 A	000024626	SEGMENT FRONT LH
88	000024618	NUT-CARRIAGE ASSEMBLY
89	808957160	SCREW-SOFL 5/16-18 X 1 NY
90	821438082	SCREW, HEX HEAD SLOTTED (TYPE AB) #10 X 1/2
92	000024612	PAD-STARTER
93	000024676	BRKT-LOWER TRACK
94	000024634	SHAFT
95	000024681	SCREW-HEX HD CAP
96	839549002	NUT-FLX-TK 1/4-20 HT
97	000029612	SPRING TORSION
98	000024631	BEARING FL .752 X .877 X .151
99	856070002	NUT-FLANGED 7/16-20
100	000024806	SHEAVE
101	807265080	SCREW-STSO 3/8-16 X 1/2 CP
102	700107146	ADHSVE-LKTTE TL242 - OBS
103	000024811	PULLEY ASSEMBLY RH
104	000024661	PULLEY
105	090002450	BALL LIFT BELT
106	806265160	SCREW-STSQ 3/8-16 X 1 CP
107	610905704	STRT BOR BRNG & SPCR KIT
108	070006748	SPACER
109	090003401	CLUTCH RACE-WITH SLOT
110	000024812	PULLEY ASSEMBLY LH
111	610900709	STRT SHFT & SPCR KIT LOWER
112	000024651	LINK ASSEMBLY
113	000024659	YOKE LOWER
114	000029660	SHAFT
115	840057002	5/16-18 FLEX NUT
116	070006320	SHAFT ASSY ADJ 9 1/2" TO 11" SPACING
116 A	070006329	SHAFT ASSY ADJ 11" TO 12 5/8" SPACING
117	070006325	SHAFT ASSY FIXED 9 1/2" TO 11" SPACING
117 A	070006328	SHAFT ASSY FIXED 11" TO 12 5/8" SPACING
118	000028737	SHAFT
119	000024720	LINK ASSEMBLY UPPER
120	000024716	SPRING HOLDER
121	900112203	BEARING SL .753 X 1 X 1 1/4
122	070011289	BRKT SHOCK ABSORBER
123	831566002BG	NUT- HEX 3/8 - 24 (BAG 10)
124	000028057	RETAINER CUSH GUIDE
125	000027996	CUSHION-RUBBER
126	000027998	RETAINER
127	948983212	5/8 WROUGHT WASHER
128	000029600	BELT-V-33 1/2 OUT
129	000029661	SHOCK ABSORBER
130	070011323	SHOCK ABSORBER ASSY
131	835565002	3/8 X 16 HEX NUT - THIN
132	000024610	STUD-CLAMP
133	946400002	WASHER-25/64 X 23/32
134	000029607	BRKT-BALL ELEV
135	809857125	5/16 18X3/4
136	070004813	KICKER BALL LIFT ASSEMBLY
138	000028540	SPRNGLOADED DRIVE LNK ASSEMBLY
139	000028362	BUMPER-URETHANE
140	000024599	ADJUSTABLE SHEAVE

* Order 000 024 622 - Plug Rudder Arm and 070 011 408 - Paddle-Kicker Roller.

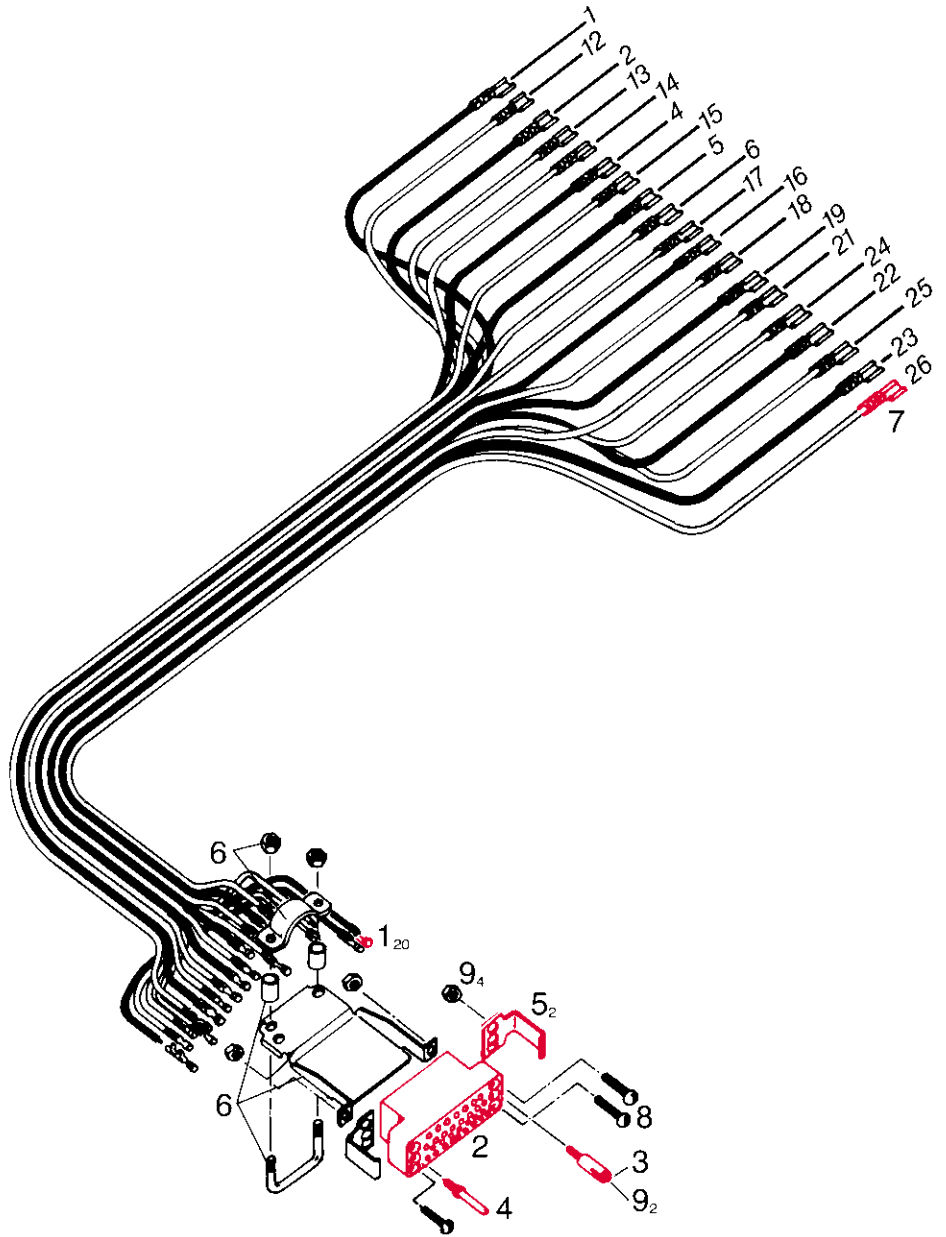




ITEM	PART NUMBER	DESCRIPTION
1	070005355	CONTROL BOX WELD - OBS
2	070005361	COVER-CONTROL BOX
3	000025865	PLUNGER SWITCH
4	070005529	SWITCH-SWEEP RUN
5	760600002	TERM STRP MOLE X 668-A - OBS
6	817921080	SCREW PNHD4-40 X 1/2 SEMS
7	843121002	NUT-KEP 4-40 WASH
8	818227082	SCREW-SMRD 6-32 X 1/2
9	843127002	NUT-KEP 6-32 WASH
10	818627042	SCREW-SMRD 6-32 X 1/4
11	070005530	SWITCH-SWEEP REVERSE
12	000026037	SWITCH TOGGLE

ITEM	PART NUMBER	DESCRIPTION
13	000021217	TERMINAL BLOCK - OBS
14	818233122	SCREW-SMRD 8-32 X 3/4
15	843133002	NUT-KEP 8-32 WASH
16	070009821	CIRC BRKR-SPEC (6 TERMINALS)
16A	000025292	CIRC BREAK AM12 (4 TERMINALS)
17	070009823	PLATE ADAPTR & SCREW
18	000029012	DOT PLUG BUTTON
19	724511006	TIN-NUT-SPD.C814-832
20	818233082	SCREW-SMRD 8-32 X 1/2
21	070006655	PLATE-MONOGRAM - OBS
22	829905042	SCREW-DRPK 0 X 1/4 TY U
23	070007591	STRAP

WIRE NO.	COLOR	DESTINATION	
		PIN NO.	T.S. NO.
1	BLACK	42 H	18
2	BLACK	41 C	18
4	BLACK	46 AA	19
5	BLACK	45 W	19
6	BLUE	19 NN	35
12	YLLW	33 K	12
13	PURPLE	23 N	27
14	BLUE	24 T	23
15	WHITE	13 L	1A1
16	BLACK	22 J	7
17	BLUE	21 D	1A1
18	GRAY	28 LL	TSG2
19	BLACK	47 EE	18
21	RED	44 S	8
22	BLACK	36 Y	3
23	BLACK	31 A	22
24	WHITE	16 Z	17
25	RED	32 E	20
26	WHITE	34 P	17

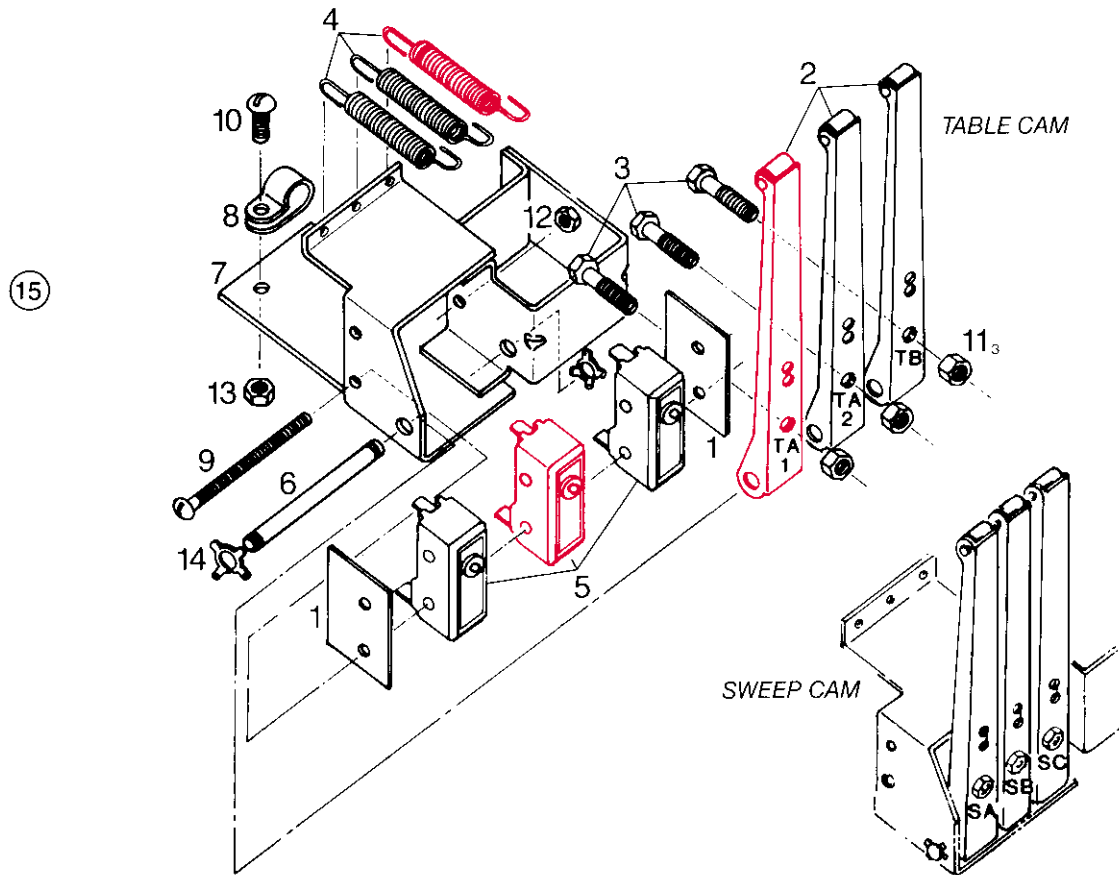


ITEM	PART NUMBER	DESCRIPTION
1	760019201	TERM SKT .062 DIA LP
2	000025144	PLUG MALE 1-201357-1AMP9602P
3	000028441	GUIDE SOCKET
4	000028442	GUIDE PIN
5	000029013	LOCKING SPRING CLIP

ITEM	PART NUMBER	DESCRIPTION
6	000029093	CLAMP STRAIN RELVR
7	760017036	TERM-STRAIT AMP41729
8	813321062	SCREW-PNHD 4-40 X 3/8 CD
9	834821000	NUT-HEX 4-40

Note: Use Amp Extracting Tool - 030 004 031 for terminal removal.





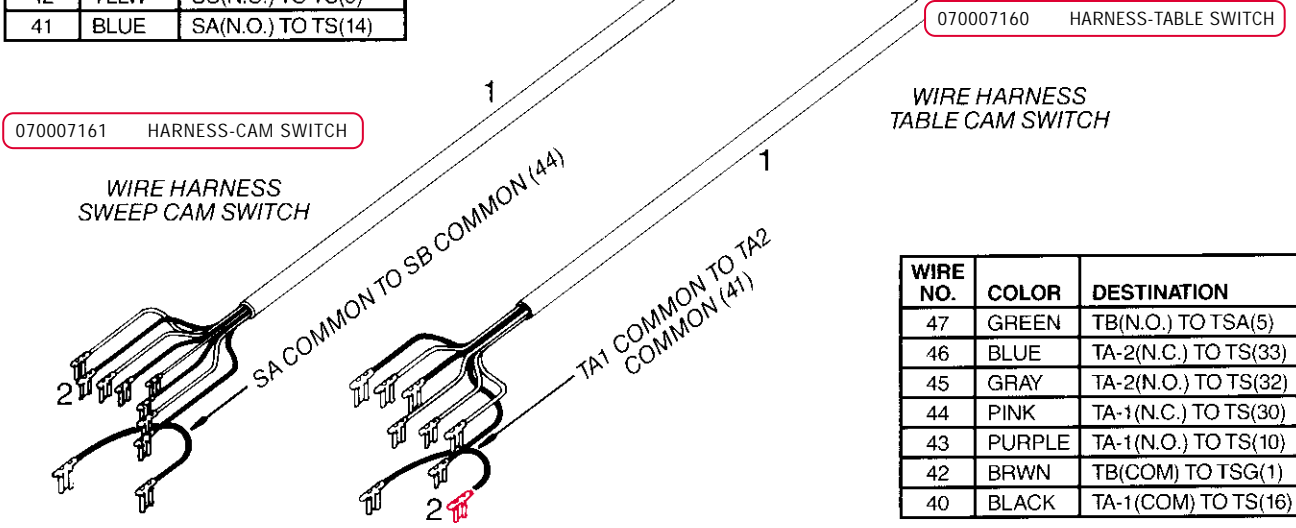
ITEM	PART NUMBER	DESCRIPTION
1	000021575	INSULATOR
2	000021645	LEVER ASSEMBLY-SWITCH
3	000021714	SCREW-ADJUSTING
4	000024657	SPRING
5	000026042	SWITCH-MICRO
6	000026401	SHAFT
7	000026419	HOUSING WELDMENT
8	744203014	CLAMP-BURNDY HP-6N

ITEM	PART NUMBER	DESCRIPTION
9	818227402	SCREW-RH 6-32 X 2 1/2
10	818233082	SCREW-SMRD 8-32 X 1/2
11	835550002	NUT-HEX-JAM 1/4-28
12	843127002	NUT-KEP 6-32 WASH
13	843133002	NUT-KEP 8-32 WASH
14	963200002	WASHER-X 1/8 9000-8
15	070006420	CAM SWITCH ASSY

Note: Use Gauge - 030 002 748 for starting adjustment of cams.



WIRE NO.	COLOR	DESTINATION
49	WHITE	SA(N.C.) TO TS(31)
48	BRWN	SB(N.C.) TO TS(16)
47	RED	SB(N.O.) TO TX(1A2)
46	GREEN	SC(COM) TO TSA(1)
45	BLACK	SA(COM) TO TS(15)
43	PINK	SC(N.O.) TO TSG(1)
42	YLLW	SC(N.C.) TO TS(9)
41	BLUE	SA(N.O.) TO TS(14)

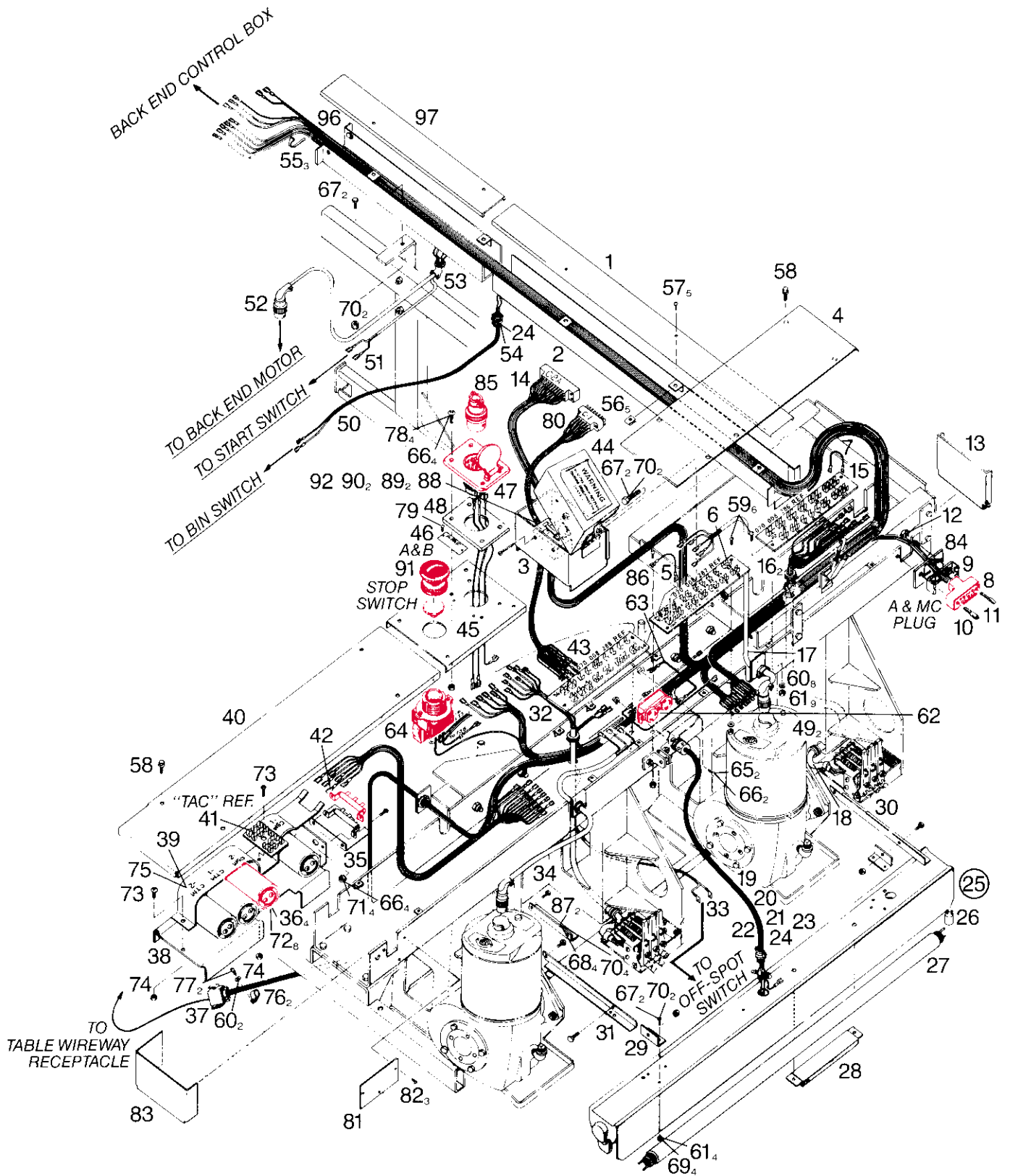


070007161 HARNESS-CAM SWITCH

070007160 HARNESS-TABLE SWITCH

WIRE NO.	COLOR	DESTINATION
47	GREEN	TB(N.O.) TO TSA(5)
46	BLUE	TA-2(N.C.) TO TS(33)
45	GRAY	TA-2(N.O.) TO TS(32)
44	PINK	TA-1(N.C.) TO TS(30)
43	PURPLE	TA-1(N.O.) TO TS(10)
42	BRWN	TB(COM) TO TSG(1)
40	BLACK	TA-1(COM) TO TS(16)

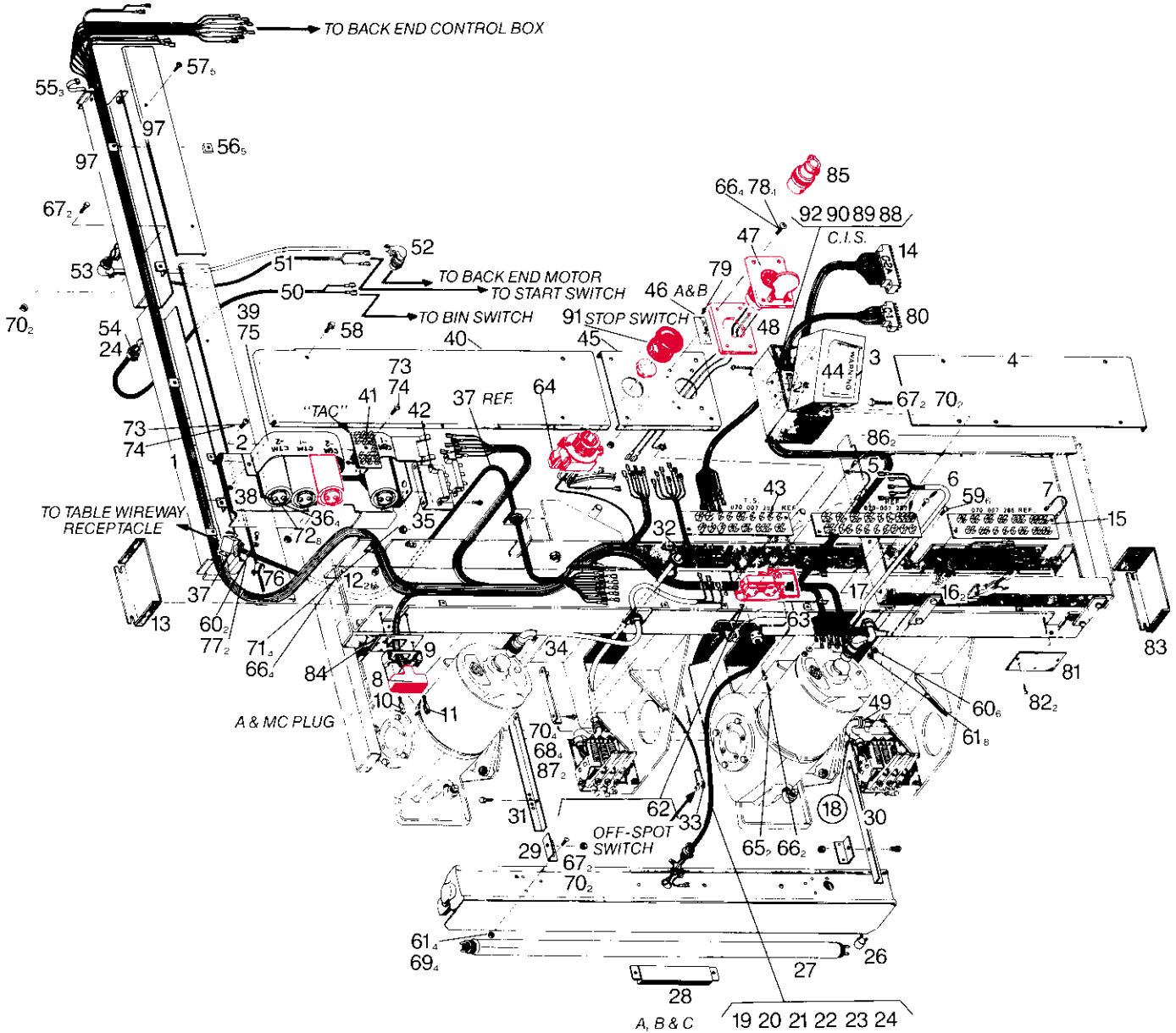
ITEM	PART NUMBER	DESCRIPTION
1	940268160	APHLEX TUBING PVC (7/16 X 1'-8"LG. STATE LENGTH) - OBS
2	760006195	TERM FLG .250 X .032 LP
3	760017036	TERM-STRAIT AMP41729



ITEM	PART NUMBER	DESCRIPTION
1	070007747	COVER
2	070007748	FRME WLD-CBLDCT-LONG
3	070005570	PLUG DUCT WELDMT
4	530705472	COVER LH USED - OBS
6	070007287	TERMINAL STRIP-17TRM - OBS
8	000025078	BLOCK-TERMAMP2012981
9	000025556	CATCH-SPG.LOCK
10	000028442	GUIDE PIN
11	000028441	GUIDE SOCKET
12	834621000	NUT-HEX 4-40 BRASS
13	070005531	PLATE-END-CABLE DUCT - OBS
14	070011801	C-2A HARNESS ASSEMBLY RH
15	070007286	TERMINAL STRIP-13TRM
16	711520017	GRMT-ATL 2764
17	070005542	CABLE ASSEMBLY SWEEP MTR
19	010102210	CORD SO 18/3/600V
20	754020312	CNCTR & PRNGMALE 4720
21	760015039	TERMINAL, FLAT SPADE - OBS
22	742503004	SPLICE CAP BUCH2006S
23	742502002	CAP-NYLN INSL BU2007
24	746001016	CNECTR-STR #3302 1/2
25	000021652	PIT LIGHT ASSEMBLY 120/60
25A	090008017	DUAL PIT LIGHT ASSY 36" 120/60
26	000027444	FLRSCNT LAMP STARTER
27	751001423	LAMP FLOURESCENT 30W
27A	751001254	LAMP, DAYLIGHT F30T DIRS
27B	751001460	BLACK LIGHT 36"
27C	751001464	BLACK LIGHT 48" - OBS
28	740501001	BALLAST-120/60
29	070007370	ANGLE PIT LIGHT MNT
30	070001907	BRKT-SUP-PIT LITE RH
31	070001908	BRKT-SUP-PIT LITE LH
32	070007160	TABLE CAM HARNESS - OBS
33	070005534	CBL ASSEMBLY-OFF SPOT
34	070007751	CABLE-TBL MTR 3 CONO
35	000025576	HI VOLT BARRIER - OBS
36	743000020	CPTR-460-552MFD110AC
37	070005604	CABLE-TABLE
38	070005219	BRKT-CAPACITOR - OBS
39	070005217	STRAP BRACKET ASSY - OBS
40	070005465	COVER-CROSS BEAM LH - OBS
41	000025603	TERMINAL BOARD
42	916931256	RESISTCT20W.10.1.25K
43	070007288	TERMINAL STRIP-16TRM
44	070005614	DECAL-WARNING
45	530705466	COVER-CROSS BEAM - OBS
46A	070008140	PLATE-POWER RECEP. - OBS
46B	070001992	PLATE-PWR RECPT 50HZ - OBS
47A	755020359	RECPT-3WIRE 30A 125V

ITEM	PART NUMBER	DESCRIPTION
47B	000024719	RECEPTACLE
48	070005539	SPACER - OBS
49	711520021	GRMT-ATL 5/8ID 2864 - OBS
50	070006272	SWITCH CABLE ASSM
51	070005521	CABLE ASSEMBLY START SW. - OBS
52	070005094	CABLE ASSEMBLY BE MTR
53	746003008	CNECTR 90DEG 266 3/8
54	746007002	CNCTR-SPLICE TAB - OBS
55	770011010	TYRAP 14.19INCH LG
56	724511074	TIN-NUT-SPD'U'C-1505
57	812840082	SCREW-RDHD 10-32 X 1/2
58	826032060	SCREW-TAT-WA8-3/8
59	818233122	SCREW-SMRD 8-32 X 3/4
60	948735062	WASHER, PIN. (7/16 O.D. X 3/16 I.D.) - OBS
61	843133002	NUT-KEP 8-32 WASH
62	755010303	RECEPTACLE 3 WIRE TWIST LOCK
64	746605011	CONT BLOCK MALE 2PIN
65	818227082	SCREW-SMRD 6-32 X 1/2
66	843127002	NUT-KEP 6-32 WASH
67	809849085	SCREW-HEX 1/4-20 X 1/2
68	809849125	SCREW-HEX 1/4-20 X 3/4
69	812833062	SCREW-RDHD 8-32 X 3/8 CD - OBS
70	844049002	1/4-20 STOVER
71	818627042	SCREW-SMRD 6-32 X 1/4
72	813340042	SCREW-PNHD 10-32 X 1/4 CD
73	818239122	SCREW-SMRD 10-24 X 3/4
74	839539002	NUT-FLX-TK 10-24 HT
75	070005639	DECAL
76	744203014	CLAMP-BURNDY HP-6N
77	828127062	6-32X3/8
78	812627122	SCREW-RDHD 6-32 X 3/4
79	829905042	SCREW-DRPK 0 X1/4 TY U
80	070006473	CABLE ASSEMBLY C1
81	070006781	COVER PLATE - OBS
82	826149062	SCREW-TAP-1/4-20 X 3/8 - OBS
83	070007377	END PLATE LH - OBS
84	070006782	PLATE MTG.A&MC - OBS
85A	754010336	PLUG-3WIRE 30A 125V
85B	754010337	PLUG-ARROWHRT 50HZ
86	818233082	SCREW-SMRD 8-32 X 1/2
87	070001698	BRKT-PITLIGHT
88	000026247	SWITCH
89	813227162	SCREW-PNHD 6-32 X 1 CD
90	839527002	6-32 FLEX NUT
91	759517051	STOP BOTTOM
92	000022296	INSULATOR-SWITCH
96	070007746	FRME WLD-CBLDCT-SHRT - OBS
97	070007745	COVER-CBL DUCT EXT





NOTE:
 NEW LAMP (T-12) WILL NOT WORK
 WITH ITEMS 28A, 28B & 28C.



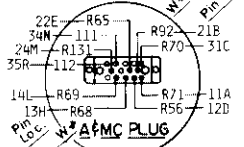
ITEM	PART NUMBER	DESCRIPTION
1	070007747	COVER
2	070007748	FRME WLD-CBLDCT-LONG
3	070005570	PLUG DUCT WELDMT
4	530705472	COVER LH USED - OBS
6	070007287	TERMINAL STRIP-17TRM - OBS
8	000025078	BLOCK-TERMAMP2012981
9	000025556	CATCH-SPG.LOCK
10	000028442	GUIDE PIN
11	000028441	GUIDE SOCKET
12	834621000	NUT-HEX 4-40 BRASS
13	070005531	PLATE-END-CABLE DUCT - OBS
14	070011800	HRNESS LH-C1 & C2A - OBS
15	070007286	TERMINAL STRIP-13TRM
16	711520017	GRMT-ATL 2764
17	070005542	CABLE ASSEMBLY SWEEP MTR
18	070007161	SWEEP CAM HARNESS - OBS
19	010102210	CORD SO 18/3/600V
20	754020312	CNCTR&PRNGMALE *4720
21	760015039	TERMINAL FLAT SPADE - OBS
22	742503004	SPLICE CAP BUCH2006S
23	742502002	CAP-NYLN INSL BU2007
24	746001016	CNECTR-STR #3302 1/2
25	000021652	PIT LIGHT ASSEMBLY 120/60
25 a	090008017	DUAL PIT LIGHT ASSEMBLY 36" 120/60
26	000027444	FLRSCNT LAMP STARTER
27	751001423	LAMP FLOURESCENT 30W
27 a	751001254	LAMP DAY LIGHT F30T 12/DIRS
27 b	751001460	BLACK LIGHT 36"
27 c	751001464	BLACK LIGHT 48"
28	740501001	BALLAST-120/60
29	070007370	ANGLE PIT LIGHT MNT
30	070001907	BRKT-SUP-PIT LITE RH
31	070001908	BRKT-SUP-PIT LITE LH
33	070005534	CBL ASSEMBLY-OFF SPOT
34	070007751	CABLE-TBL MTR 3 CONO
35	000025576	HI VOLT BARRIER - OBS
36	743000020	CPTR-460-552MFD110AC
37	070005604	CABLE-TABLE
38	070005219	BRKT-CAPACITOR - OBS
39	070005217	STRAP BRACKET ASSY - OBS
40	070005465	COVER-CROSS BEAM LH - OBS
41	000025603	TERMINAL BOARD
42	916931256	RESISTCT20W.10.1.25K
43	070007288	TERMINAL STRIP-16TRM
44	070005614	DECAL-WARNING
45	530705466	COVER-CROSS BEAM - OBS
46 a	070008140	PLATE-POWER RECEP. - OBS
46 b	070001992	PLATE-PWR RECPT 50HZ - OBS

ITEM	PART NUMBER	DESCRIPTION
47	754010336	PLUG ARROWHARD 60 HZ
48	070005539	SPACER - OBS
49	711520021	GRMT-ATL 5/8ID 2864 - OBS
50	070006272	SWITCH CABLE ASSM
51	070005521	CABLE ASSEMBLY.START SW. - OBS
52	070005094	CABLE ASSEMBLY BE MTR
53	746003008	CNECTR 90DEG 266 3/8
54	746007002	CNCTR-SPLICE TAB - OBS
55	770011010	TYRAP 14.19INCH LG
56	724511074	TIN-NUT-SPD'U'C-1505
57	812840082	SCREW-RDHD 10-32 X 1/2
58	826032060	SCREW-TAT-WA8-3/8
59	818233122	SCREW-SMRD 8-32 X 3/4
60	948735062	WASHER, PIN. (7/16 O.D. X 3/16 I.D.) - OBS
61	843133002	NUT-KEP 8-32 WASH
62	755010303	RECPTCL-3WIRE TWSTLK
64	746605011	CONT BLOCK MALE 2PIN
65	818227082	SCREW-SMRD 6-32 X 1/2
66	843127002	NUT-KEP 6-32 WASH
67	809849085	SCREW-HEX 1/4-20 X 1/2
68	809849125	SCREW-HEX 1/4-20 X 3/4
69	812833062	SCREW-RDHD 8-32 X 3/8 CD - OBS
70	844049002	1/4-20 LOCK NUT
71	818627042	SCREW-SMRD 6-32 X 1/4
72	813340042	SCREW-PNHD10-32 X 1/4 CD
73	818239122	SCREW-SMRD 10-24 X 3/4
74	839539002	NUT-FLX-TK 10-24 HT
75	070005639	DECAL
76	744203014	CLAMP-BURNDY HP-6N
77	828127062	SCREW-TDRD 6-32 X 3/8 TYD
78	812627122	SCREW-RDHD 6-32 X 3/4
79	829905042	SCREW-DRPK 0 X 1/4 TY U
80	070006473	CABLE ASSEMBLY C1
81	070006781	COVER PLATE - OBS
82	826149062	SCREW-TAP-1/4-2 X 3/8 - OBS
83	070005532	END PLATE-F.E.FRAME - OBS
84	070006782	PLATE MTG.A&MC - OBS
85 a	754010336	PLUG-3WIRE 30A 125V
85 b	754010337	PLUG-ARROWHRT 50HZ
86	818233082	SCREW-SMRD 8-32 X 1/2
87	070001698	BRKT-PITLIGHT
88	000026247	SWITCH
89	813227162	SCREW-PNHD 6-32 X 1 CD
90	839527002	6-32 FLEX NUT
91	759517051	SWTCH PSHBTN 7/8 DIA
92	000022296	INSULATOR-SWITCH
96	070007746	FRME WLD-CBLDCT-SHRT - OBS
97	070007745	COVER-CBL DUCT EXT

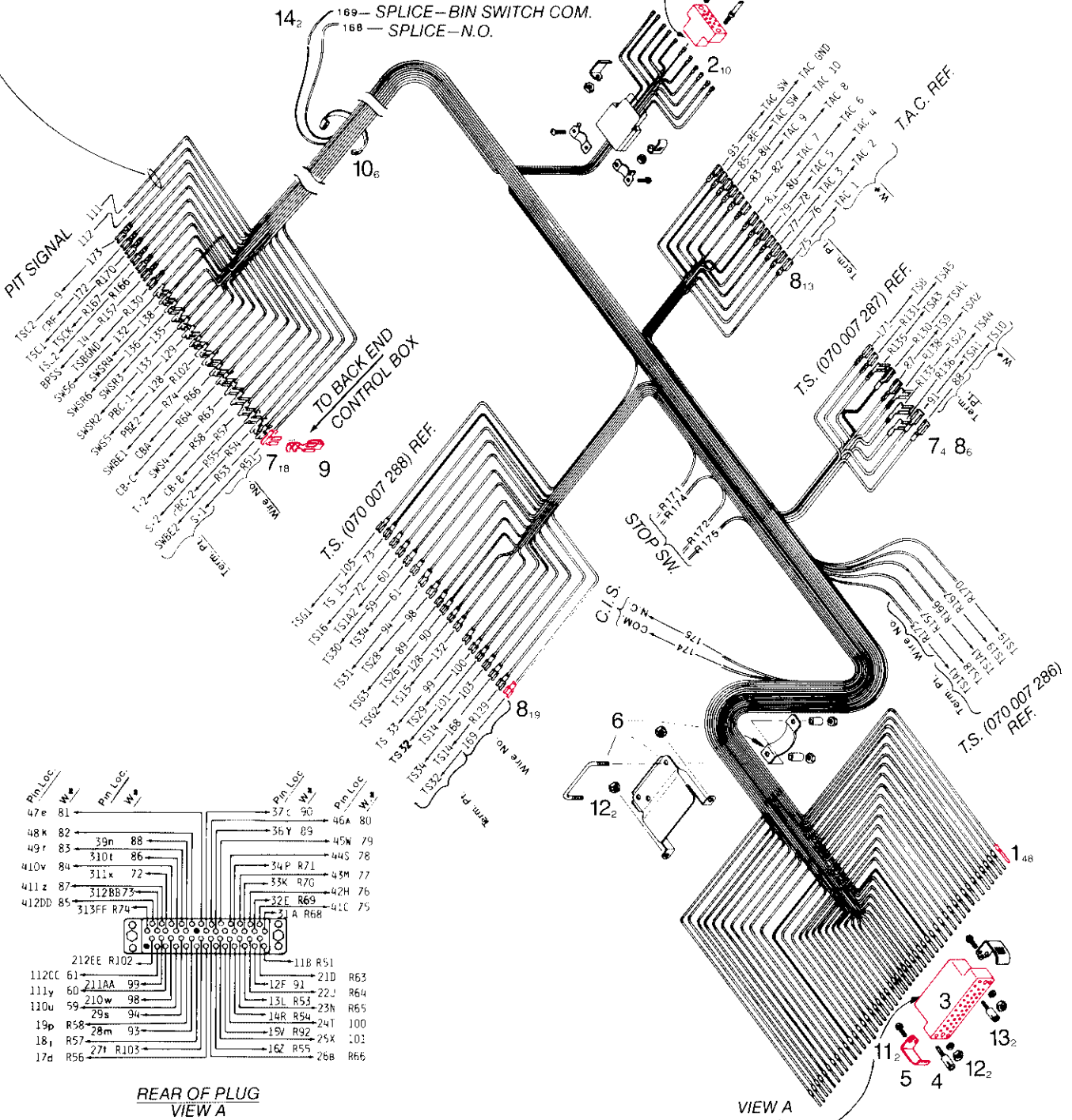
NOTES:

1. THESE WIRES ARE FOR HOUSE SIGNAL SYSTEM IF DESIRED. TAPE THESE WIRE ENDS & ATTACH TO LOW VOLTAGE WIRE CABLE IN B. E. CONTROL BOX.
2. WIRES 87 & 88 MAY BE CONNECTED TO TS44 & TS 45 RESPECTIVELY IF TS44 & TS 45 ARE PRESENT.
3. ALL WIRES SHOULD HAVE U.L. SURFACE MARKINGS

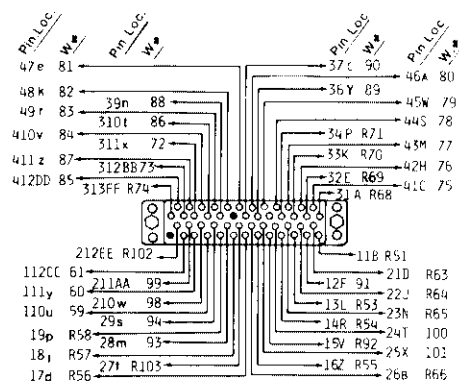
REAR OF PLUG
VIEW B



SEE FRONT END ELECTRICAL
INSTALLATION (070 006 469) FOR
A & MC PLUG PARTS BREAKDOWN.



REAR OF PLUG
VIEW A



ITEM	PART NUMBER	DESCRIPTION
1	760011197	TERM-PIN.062 DIA LP
2	760019201	TERM SKT .062 DIA LP
3	000028409	BLOCK-TERMAMP2013581
4	000028441	GUIDE SOCKET
5	000029013	LOCKING SPRING CLIP
6	000029896	CLAMP STRAIN RELVR
7	760006195	TERM FLG .250 X .032 LP

ITEM	PART NUMBER	DESCRIPTION
8	760017036	TERM-STRAIT AMP41729
9	760022150	TERM-18-14 GA WIRE
10	770011029	TYRAP-7.31 INCH LG
11	813321062	SCREW-PNHD 4-40 X 3/8 CD
12	834821000	NUT-HEX 4-40
13	951020000	#4 SPLIT LOCKWASHER
14	746007105	INSULATD LINE SPLICE

610709870 XOP BOARD W/OUT CABLE ASSEMBLY

Features:

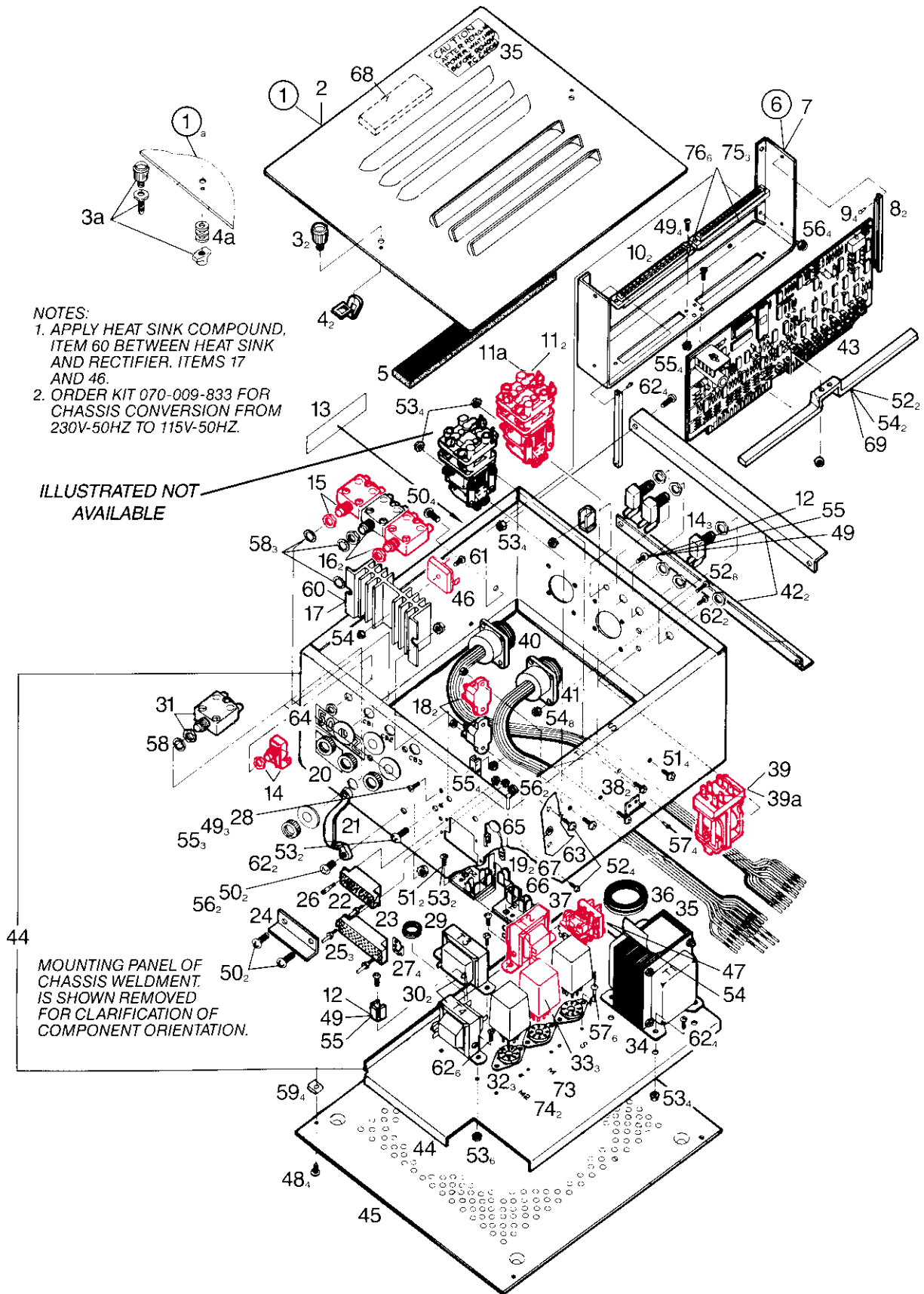
- Works great to replace five boards in a five-board chassis.
- Comprehensive status indicators
- Single chip microprocessor
- Solid state power Field Effect transistors
- Low heat emission
- Optically coupled inputs (surge protector)
- Program (memory) reset
- Software upgradable for future enhancements
- Auto scoring interface: shortens strike cycle, auto sweep reverse 7-10 pick
- By passes: KX relay:
- Pin lamp triac
- Capacitors #2 and 3
- Diodes #2, 14 through 23

07003902 SUPERSTAR MP CHASSIS

Features:

- 1st ball only: complete sweeps after one ball for optimal practice conditions
- 9-pin strike: the pinspotter will run a strike cycle when one pin or less is left standing
- Multiple pinspotter speeds: features 3 speeds: normal, medium, fast. Medium cycle is about 50% faster than normal 82-70 speed the fast cycle is about 100% faster
- Shadow bowling
- 3-ball frames the first two balls account for the first cycle and the third ball activates the second cycle
- Easy control with state-of-the-art LED lights and switches
- Separate status lights and controls for each 82-70
- Six function control switches per lane
- 47 Led status indicator lights per lane
- Replaces either the 5 board or stepper chassis
- Excellent serviceability
- Off spot S/R: the pinspotter will perform a sweep reverse when an off spot condition occurs.
- New technology is easier to support





NOTES:
 1. APPLY HEAT SINK COMPOUND, ITEM 60 BETWEEN HEAT SINK AND RECTIFIER, ITEMS 17 AND 46.
 2. ORDER KIT 070-009-833 FOR CHASSIS CONVERSION FROM 230V-50HZ TO 115V-50HZ.

ILLUSTRATED NOT AVAILABLE

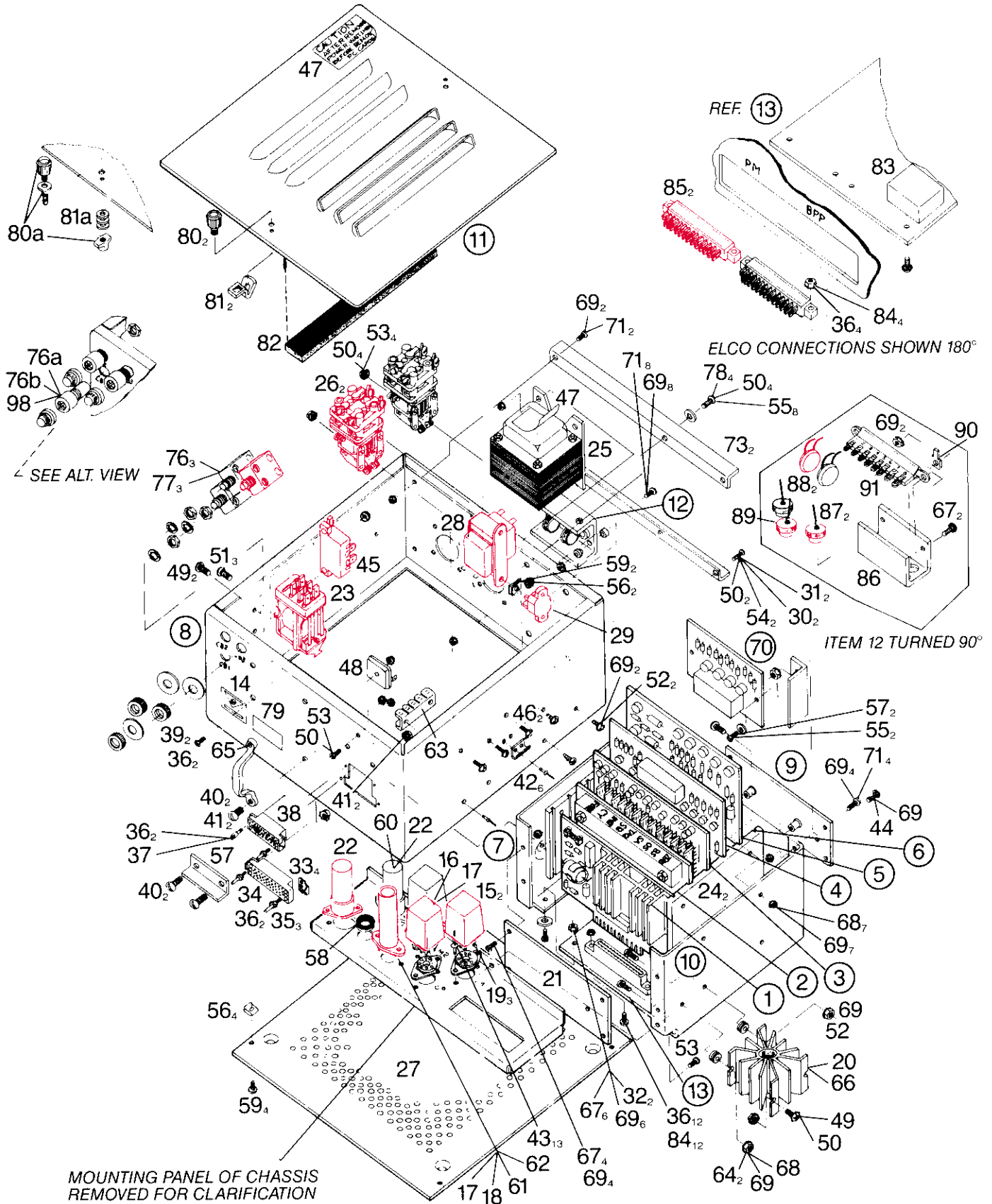
MOUNTING PANEL OF CHASSIS WELDMENT IS SHOWN REMOVED FOR CLARIFICATION OF COMPONENT ORIENTATION.

ITEM	PART NUMBER	DESCRIPTION
1		COVER PLT ASSEMBLY-SILVER (NO LONGER AVAILABLE)
2		COVER PLATE-SS CHAS (NO LONGER AVAILABLE)
3	070001990	KNOB-CHASSIS COVER
3A	070005884	LATCH - OBS
4	713510007	PAWL-CHASSIS COVER
4A	070005885	SPACER - OBS
5	070005847	GSKT-CHAS CVR PLT - OBS
6*	620709802	CHASSIS-MP REBUILT (LESS BOARD)
7	070009802	BRACKET - OBS
8	770023036	RETAINING GUIDE - OBS
9	925307030	RIVET 9.062 DIA. X .188"LG. - OBS
10	746008083	CONNECTOR PC EDGE 25
10A	760005129	TERMNAL AMP#583361-4
10B	746108096	PLUG-KEYING-MP CHAS - OBS
11	070011755	RELAY 50/60HZ
12	760010065	TERM-MALE-3000M-48 - OBS
14	000025865	PLUNGER SWITCH
15	743506006	CIRC BRKR-3 AMP
16	743502024	CIRCUIT BREAKER CB-2 & CB-3
17	070009809	HEAT SINK - OBS
18	070005666	CIRC BREAKTEX
19	000021217	TERMINAL BLOCK - OBS
19A	760001070	TERM-ADPTR-3000S-5-1
20	070005548	PLATE-SERIAL NO - OBS
21	000029117	HANDLE
22	000025068	BLOCK-TERMAMP2008382
23	000028410	BLOCK-TERMAMP2002772
24	070005514	SHIELD-ANGLE
25	000028442	GUIDE PIN
26	000028441	GUIDE SOCKET
27	000029014	LOCKING SPRING CATCH
28	760602031	TERM STRIP 14 POS - OBS
29	741530404	GROMT-5/8 X 3/4 X 13/32 - OBS
30	762015015	TRSFMR 120 50/60
31	743507007	CIRC BRKR-1 AMP
32	000021231	SOCKET
33	070005515	RELAY-CHASSIS 24VAC
34	762011011	TRSFMR 115/230 50/60
36	741530710	GROMMET-HEYCO - OBS

ITEM	PART NUMBER	DESCRIPTION
37	000026836	TRSFMR 115-60
37A	000027870	TRSFMR 115/230 50/60
38	000028494	HOOK
39	000025863	RELAY 24 V 50-60 CY
39A**	755504048	RELAY P&B T91
40	070009812	RECEPTACLE ASSEMBLY (APS) - OBS
41	070009811	RECEPTACLE ASSY (MASK)
42	070007638	ANGLE-SHIELD - OBS
43*	070009860	82/70 SINGLE CHIP PC BOARD-MP CHASSIS
44	070009806	WELDMENT-MP CHASSIS - OBS
45	530706705	BASE PLATE - USED - OBS
46	756001008	RECTIFIER-BRIDGE 12A
47	755504006	RELAY P&B KA5AV 24V
48	823132082BG	SCREW-TAP-RDT 8 X 1/2 (BAG 10)
49	817921080	4-40 X 1/2 SEMS
50	813540082	SCREW-TRHD 10-32 X 1/2 CD
51	818233122	SCREW-SMRD 8-32 X 3/4
52	818227102	SCREW-SMRD 6-32 X 5/8
53	843133002	NUT-KEP 8-32 WASH
54	843127002	NUT-KEP 6-32 WASH
55	843121002	NUT-KEP 4-40 WASH
56	843140002	NUT-KEP 10-32 WASH
57	938823020	RIVET-POP CSPQ-42 - OBS
58	959571102	WASHER-SHKPRF INT
59	724511050	TIN-CLIP-TY-U'C-8111
60	770019030	SILICONE HEAT COMPD - OBS
61	818227162	SCREW-SMRD 6-32 X 1
62	812633062	SCREW-RDHD 8-32 X 3/8 CD
63	070001987	TAG-INSTR - OBS
64	610700813	LABEL-50 HZ - OBS
65	070009815	VARISTOR ASSEMBLY T1
65A	070009822	VARISTOR ASSEMBLY T1 275V - OBS
68	070009817	GASKET-SMALL-CUR PLP - OBS
69	070009819	BUS BAR-MPU CHASSIS - OBS
70	812621082	SCREW-RDHD 4-40 X 1/2
71	834821000	NUT-HEX 4-40
72	951020000	#4 SPLIT LOCKWASHER
73	761700002	VARISTOR-GE V4721
74	940003000	TBNG-FBEARINGLS 18VNLCT - OBS
75	748010034	TRANSIET VOLTG SUPSR
76	760005135	TERM-PC EDGE CNECTR - OBS

Order Kit 610 070 300 to convert to MP 110V or 610 070 200 to convert to MP 220V
 * See Price Book for Repair and Exchange Program.
 ** After serial #16795, effective 10-10-98.
 Note: See page 1A.63 for list of Terminals.



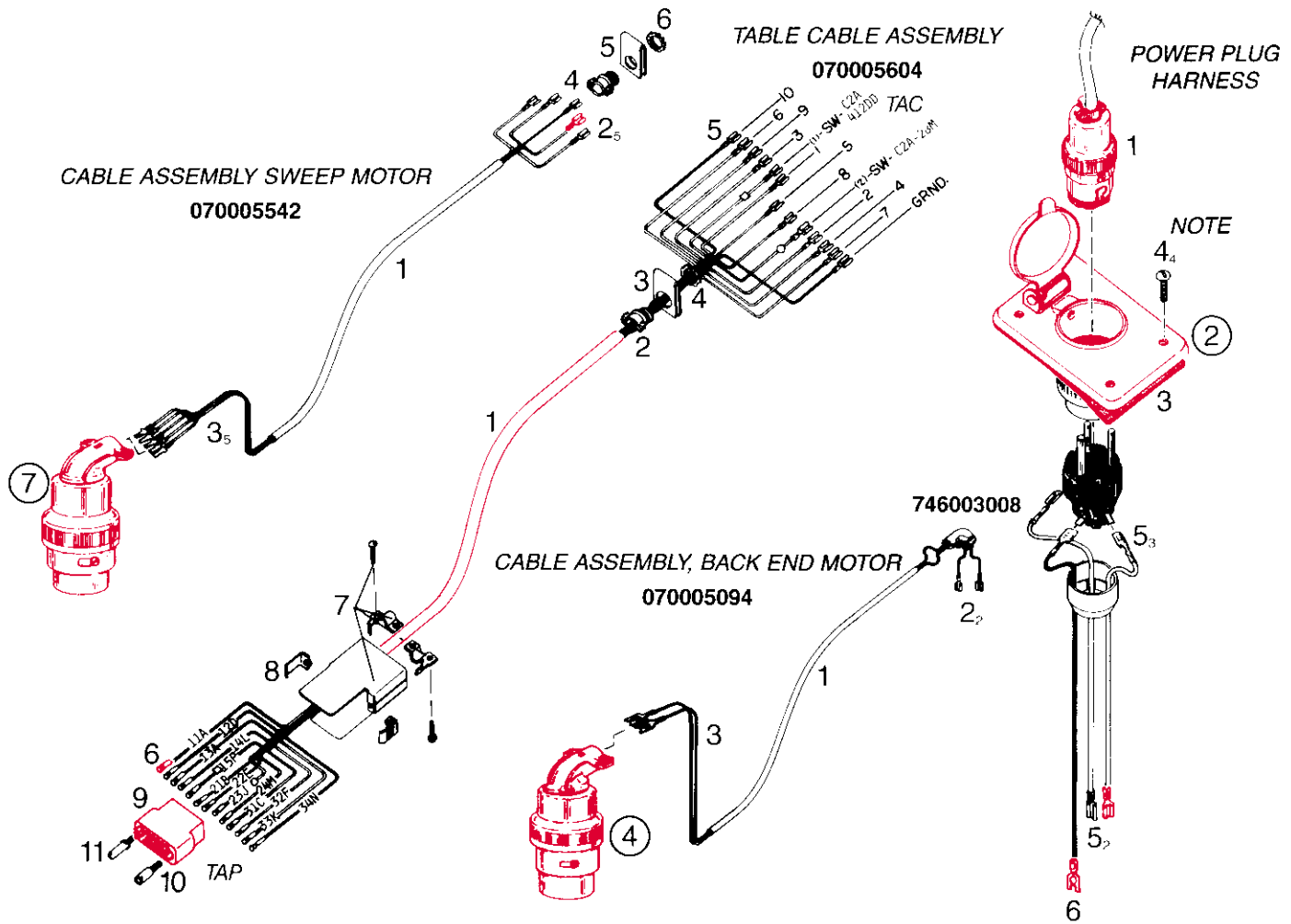


ITEM	PART NUMBER	DESCRIPTION
1*	520705959	PC BD # 5 -REBUILT - OBS
2*	520705955	PC BOARD-REBUILT - OBS
3*	520705956	PC BD # 2 REBUILT - OBS
4*	520705957	PC BD # 3 REBUILT - OBS
5*	520705958	PC BD # 4 -REBUILT - OBS
6**	070007630	PC BR # 6 ASSY - OBS
6A	070005960	PC BR # 6 ASSY USED WITH ELCO CHASSIS - OBS
7	070007656	PC BD ALIGN. SUPT. WELD RH - OBS
7A	070005840	PC BD ALIGN. SUPT. USED ON ELCO CHASSIS - OBS
8	070007654	CHASSIS WELD - OBS
8A	070005806	CHASSIS WELD ELCO CHASSIS - OBS
9	070007655	PLATE WELD-SIDE SUPPORT - OBS
9A	070005879	PLATE WELD-SIDE SUPPORT ELCO CHASSIS - OBS
10	070007657	PC BD ALIGN. SUPT. WELD, LH - OBS
10A	070005877	PC BD ALIGN. SUPT. WELD, LH ELCO CHASSIS - OBS
11	070005846	COVER PLATE ASSEMBLY - OBS
12	070005845	HEAT SINK - OBS
13	070007659	MOTHER BOARD ASSEMBLY - OBS
13A	070005961	MOTHER BOARD ASSEMBLY ELCO CHASSIS - OBS
14	070005548	PLATE-SERIAL NO - OBS
15	070005515	RELAY-CHASSIS 24VAC
16	070005883	RELAY
17	000029301	RECTIFIER-SILC. 2069
18	070005652	CPCTR-100MFD 250WVDC
19	000021231	SOCKET
20	530705662	RADIAL FIN COOLER (NO LONGER AVAILABLE) - OBS
21	070007637	PLATE-SIDE SUPPORT-PC BOARD - OBS
22	070005874	CPCTR-1500MFD 50W.V.
23	000025863	RELAY 24 V 50-60 CY
24	070005841	GUIDE-BOARD - OBS
25	070005853	TRSFMR 115/60
25A	070005898	TRSFMR 115/230 50
26***	070011755	RELAY 50/60HZ
27	530706705	BASE PLATE - USED - OBS
28	000026836	TRSFMR 115-60
28A	000027870	TRSFMR 115/230 50/60
29	070005666	CIRC BREAKTEX
30	070005854	INSULATOR
31	070005855	INSULATOR
32	070005882	INSULATOR - OBS
33	000029014	LOCKING SPRING CATCH
34	000028410	BLOCK-TERMAMP2002772
35	000028442	GUIDE PIN
36	843121002	NUT-KEP 4-40 WASH
37	000028441	GUIDE SOCKET
38	000025068	BLOCK-TERMAMP2008382
39	818221082	SEMS RD. HEAD SCREW EXT. L.W. 4-40 X 1/2 - OBS
40	813640062	SCREW, TRUSS HEAD MACH. 10-32 X 3/8 - OBS
41	843140002	NUT-KEP 10-32 WASH

ITEM	PART NUMBER	DESCRIPTION
42	938823020	RIVET-POP CSPQ-42 - OBS
43	938723020	AAP 42 POP RIVET (CHERRY) - OBS
44	818233102	8-32X5/8 SCREW - OBS
45	070005149	RELAY-THERMAL
46	000028494	HOOK
47	070007646	DECAL-CAUTION
48	000021217	TERMINAL BLOCK - OBS
49	818233042	SCREW-SMRD 8-32 X 1/4 - OBS
50	843133002	NUT-KEP 8-32 WASH
51	818233062	SCREW-SMRD 8-32 X 3/8
52	818227102	SCREW-SMRD 6-32 X 5/8
53	818233082	SCREW-SMRD 8-32 X 1/2
54	818233142	SCREW, SEMS RD. 8-32 X 7/8 - OBS
55	948637072	WASHER- 3/16 X 7/16 X 3/64
56	724511050	TIN-CLIP-TY-U'C-8111
57	070005514	SHIELD-ANGLE
58	711520012	GRMT-ATL 5/8ID 2285 - OBS
59	824332082	SCREW-TAP-TR 8 X1/2 TYA
60	916430275	RSTR 2.7KOHM 1/2W 5% - OBS
61	916430684	RESISTOR ±10%68K-1/2W. (UNDER CAPACITOR, ITEM 18) - OBS
62	000021249	TERMINAL STRIP (UNDER CAPACITOR, ITEM 18) - OBS
63	760600002	TERM STRP MOLE X 668-A - OBS
64	070005661	INSULATOR - OBS
65	000029117	HANDLE
66	070005998	TRIAC
67	818227062	SCREW-SMRD 6 X 3/8
68	818227082	SCREW-SMRD 6-32 X 1/2
69	843127002	NUT-KEP 6-32 WASH
70	520705669	PC BOARD AUXILIARY REBUILT - OBS
71	813327062	6-32 X 3/8 SLTD PAN HEAD SCREW
73	070007638	ANGLE-SHIELD - OBS
76	743502024	CIRCUIT BREAKER CB2/CB3
76A	000029010	POST FUSE EXTRACTOR
76B	000025555	FUSE-SLO BLOW 3 AMP
77	743506006	CIRCUIT BREAKER 3 AMP
78	818233122	SCREW-SMRD 8-32 X 3/4
80	070001990	KNOB-CHASSIS COVER
80A	070005884	LATCH - OBS
81	713510007	PAWL-CHASSIS COVER
81A	070005885	SPACER - OBS
82	070005847	GSKT-CHAS CVR PLT - OBS
83	070005839	RELAY - OBS
84	818221102	SCREW-SMRD 4-40 X 5/8
85	070005887	PLUG-CONNECTOR - OBS
86	530705844	HEAT SINK-USED - OBS
87	070005842	DIODE-POWER
88	000028452	VARISTOR
89	070005859	DIODE-POWER
90	760010072	TERMINAL KENT 121578 - OBS
91	760600006	TERM STRIP 2008 (NO LONGER AVAILABLE)
98	070007753	DECAL-FUSE RATING (NOT SHOWN) - OBS

* See Price Book for Repair and Exchange Program.
 ** Not compatible with Elco Chassis unless all #6 PC Boards are of the new type 070 007 630.
 *** Order Kit 610 070 300 to convert to MP 110V, order Kit 610 070 200 to convert to MP 220V.
 (XOP Single Board Replacement is available 610 709 870)





ITEM	PART NUMBER	DESCRIPTION
CABLE ASSEMBLY SWEEP MOTOR		
1	010101010	CORD SO 16/5/600V - OBS
2	760017036	TERM-STRAIT AMP41729
3	760015038	TERMINAL, FLAT SPADE
5	000025183	CLAMP WASHER - OBS
6	846100000	NUT KL1/2CNDUT
7	000027660	PLUG-FEMALE

ITEM	PART NUMBER	DESCRIPTION
CABLE ASSEMBLY-BACKEND MOTOR		
1	010103210	CORD SO 16/2/600V
2	760017036	TERM-STRAIT AMP41729
3	760015038	TERM-AMP
4	000025907	PLUG FEMALE

ITEM	PART NUMBER	DESCRIPTION
TABLE CABLE ASSEMBLY		
1	940372000	SLEEVING-EXP 1/2 DIA (ORDER 6 FT.)
2	746001016	CNECTR-STR #3302 1/2
3	000025183	CLAMP WASHER - OBS
4	846100000	NUT KL1/2CNDUT TB141
5	760017044	TERM STR-AMP41772 RL
6	760019201	TERM SKT .062 DIA LP
7	000025049	SHIELD
8	000025557	CLIP-SPG. LOCK
9	000025078	BLOCK-TERMAMP2012981
10	000028441	GUIDE SOCKET
11	000028442	GUIDE PIN

ITEM	PART NUMBER	DESCRIPTION
POWER PLUG HARNESS		
1	754010336	PLUG-3WIRE 30A 125V
1A	754010337	PLUG ARROWHART 50 HZ
2	755020359	RECPT-3WIRE 30A 125V
2A	755020360	RECPT-3WIRE 30A 220V - OBS
3	070005539	SPACER - OBS
4	812627122	SCREW-RDHD 6-32 X 3/4
5	760017036	TERM-STRAIT AMP41729
6	760015055	TERM-SPDE 42168-2

NOTE: Later model components have flat terminals and must be used in pairs.





CROSS REFERENCE LIST



8 REF.

30

PART #	DESCRIPTION	CROSS REFERENCE PART #	CROSS REFERENCE DESCRIPTION
000020203	HANDLE-CONN.CABLE-PM	070007758	M4CBL ELCO TO MP/C23 (4361)
000021043	BRKT WELD-LH	000027645	BRKT.SUPT.ASY LH
000021044	BRKT WELD-RH	000027646	BRKT.SUPT.ASY RH
000021416	IDLER ROLLER	000021417	IDLER ROLLER ASY
000021665	LEVER-SWITCH	000021713	LEVER ASY-SWITCH
000021743	BRG ASY-SELF ALIGNG	070006765	SHAFT PLATE
000021879	ROD END	000021880	ROD END ASY
000022063	SHEAVE-REDUCTION	000024599	ADJ.SPEED SHEAVE-RUDDER ARM
000022069	BKT PIT SPT B/D SIDE	070001450	PIT SUPT BRKT-BDS
000022071	PULLEY IDLER	000021408	IDLER PULLEY ASM
000022095	TUBE RUD ADJ	000021428	TUBE ADJUSTING ASSY
000022221	GUARD	000022219	PIN ELEV GD ASY
000022248	BRKT WELD-LH	000022249	BRKT ASY-LH
000022826	LEVER-SHOCK MECH.	000023621	LEVER CUSH ASY-SWITCH
000023160	END FITTING RH (AM-8-B2-8)	090005260	END FITTING RH
000023161	END FITTING LH (AML-8-B2-8)	090005261	END FITTING - LH
000023279	BUMPER-URETHANE	000023216	BUMPER
000023594	PIT SIGNAL SWITCH ASM	000023521	SWITCH-PIT SIGNAL
000023857	SPACER	948767132	WSHR13/32X13/16X1/1
000024509	BRKT-PIN EJECTR ASY	000024510	BRKT ASY-LH
000024512	SPRNG LH PIN EJECTOR	000022288	SPRING-LH
000024581	*LINK CASTING **not for resale	000024597	&LINK ASY
000024604	BELT-BALL LIFT PBL	090002450	BALL LIFT BELT
000024617	NUT CARRIAGE ASY	000024618	NUT-CARRIAGE ASY
000024621	FILLER-FRONT	000024678	FILLER ASY-FRONT
000024653	LINK	000024651	LINK ASY
000024743	RUDDER ARM SUPPORT	070011319	SUPPORT-RUDDER ARM
000024744	NUT PLATE BALL RTRN	000024745	NUT PLATE ASM
000024893	M SHAFT DRIVE ASY 82/30	000024893	SHAFT DRIVE ASY-LH 82/70
000025076	PIN WIRE TERM	760011197	TERM-PIN.062 DIA LP
000025077	SOC WIRE TERM	760019201	TERM SKT .062 DIA LP
000025120	WASHER	945091242	WSHR-1X1-1/2
000025124	RELAY	610704141	KIT-RELAY+BRKT+INSTR
000025135	CIRC BREAKTEX 785475	070005666	CIRC BREAKTEX
000025591	RECEPTACLE PLATE	000025590	RECEPTACLE HOUSING
000026461	BRG UNIBALL .25X.687	090002019	BALL - DISTRIBUTOR DRIVE
000026753	BELT-CARPET IN A BOX	090006124	CARPET BELT PUMPKIN/TAN
000026754	&BELT-CARPET-PVC	000026756	SPLIT FINGER CARPET BLT
000026755	GREEN 2 PLY CRPT BLT	000026756	SPLIT FINGER CARPET BLT
000026859	STOP	000026852	GEAR ASY
000027380	PLOW RH-FOR LH MACH	000027368	PLOW & MAT ASY L
000027381	PLOW LH-FOR RH MACH	000027372	PLOW & MAT ASY RH
000027382	LINK DISTRIBUTOR	000027370	LINK ASY
000027705	BRKT R H D1ST	000027707	BRKT ASY-RH
000027706	BRKT L H D1ST	000027708	BRKT ASY-LH
000028238	FRICTION PLATE CAM - URETHANE	000028242	FRICTION PLATE CAM - BRASS
000028445	WIRE TERMINAL SOCKET 66104-7	760019202	TERM SKT.062 DIA LP
000028448	WIRE TERMINAL PIN	760011196	TERM PIN-.062 DIA LP
000028519	RIVET CUSHION ASSY	000028529	URETHANE-"PLUS" RIVET
000028919	LEAF & WIRE ASY RED	000028943	LEAF & WIRE ASY RED
000028940	LAMP HOLDER	093003634	LAMP HLDR WIRE AS RD
000028941	LAMP HOLDER	093003633	LAMP HLDR WIRE AS WH
000029299	TRANSISTOR	762502034	TRNSTR-MPS 2222
000029602	BRKT WELD-RH	000029672	BRKT BRG ASY RH
000029625	HANGER ARM	000029659	HANGER ARM AS
000029627	BRKT-PIT SUPPORT	070001451	PIT SUPT BRKT-OBDS
000029630	DRIVE LINK	000029671	&LINK-DR.RUDDER ASY
000029640	PANEL-KICKBACK ASY	030008660	PANEL-KICKBACK
000029671	LINK-DR.RUDDER ASY	000028540	SPRNGLOADED DRIVE LNKASY
01005	#6 EXT STAR LOCKWASHER- PLTD.	957000002	#6 EXT STAR LOCKWASHER- PLTD.
01011	8-32 X 1/2 MACHINE SCREW	812833082	8-32 X 1/2 MACHINE SCREW
01016	#8 EXT TOOTH LOCKWASHER- PLTD	951632060	#8 EXT TOOTH LOCKWASHER- PLTD
01018	10-32X3/8 PHILLIPS M/S01019	10-32X3/8	PHILLIPS M/S
01031	10-32 NYLON INSERT LOCKNUT PLT	838740002	10-32 NYLON INSERT LOCKNUT PLT
01032	NUT 10-32 HEX STEEL PLATED	835540002	NUT 10-32 HEX STEEL PLATED
01033	#10 EXT TOOTH LOCKWASHER. PLTD	957100002	#10 EXT TOOTH LOCKWASHER. PLTD
01045	1/4-20 X 3/4 CARRIAGE BOLT	801149897	1/4-20 X 3/4 CARRIAGE BOLT

PART #	DESCRIPTION	CROSS REFERENCE PART #	CROSS REFERENCE DESCRIPTION
01052	1/4-20 STEEL HEX NUT, PLTD	834549002	1/4-20 STEEL HEX NUT, PLTD
01054	1/4 IN SPLIT LOCKWSHR MED PLTD	951148002	1/4 IN SPLIT LOCKWSHR MED PLTD
01055	#8 5/16 TAP SCREW	01058	#8 5/16 TAP SCREW
01068	3/8 X 16 HEX NUT - THIN	835565002	3/8 X 16 HEX NUT - THIN
01074	1/2 USS WROUGHT WASHER TYPE A	948975172	1/2 USS WROUGHT WASHER TYPE A
01186	6-32 X3/8 SLTD PAN HEAD SCREW	813327062	6-32 X3/8 SLTD PAN HEAD SCREW
01216	WASHER #6 SAE FLAT WASHER	948631062	WASHER #6 SAE FLAT WASHER
01233	COTPIN 3/16X1	SA0299	COTPIN 3/16X1
01260	3/8-3/16X3/8 SOCKET SET,CUP PT	807265060	3/8-3/16X3/8 SOCKET SET,CUP PT
01266	5/16-18 STOVER LOCKNUT	844057002	5/16-18 STOVER LOCKNUT
01310	1/4-20X1-1/4 HEX SCKT W/PELLET	810349200	1/4-20X1-1/4 HEX SCKT W/PELLET
01340	1/4-20 JAM NUT	835549002	1/4-20 JAM NUT
01413	3/8-16 HEX STEEL MACHINE NUT	831565002	3/8-16 HEX STEEL MACHINE NUT
01431	5/16 WROUGHT WASHER	948761112	5/16 WROUGHT WASHER
01433	1/2 LOCK WASHER	951172002	1/2 LOCK WASHER
01459	5/8-18 UNF HEX THIN HUT- PLTD	835582002	5/8-18 UNF HEX THIN HUT- PLTD
01471	3/8-24 HX STL THIN NUT	835566002	3/8-24 HX STL THIN NUT
01547	#10 X 1/2 SLTD HX WSH MTL SCRW	821438082	#10 X 1/2 SLTD HX WSH MTL SCRW
01561	10-24 NYLON LOCK NUT	838939002	10-24 NYLON LOCK NUT
01593	RETAIN RING E-RING EXTER SHAFT	919010400	RETAIN RING E-RING EXTER SHAFT
02004X12	1/4" HEAT SHRINK TUBE	02004	1/4" HEAT SHRINK TUBE
02004X36	1/4" HEAT SHRINK TUBE	02004	1/4" HEAT SHRINK TUBE
02011	FUSE HOLDER	80055	FUSE HOLDER
02018	AC CONTRACTOR	02080	AC CONTRACTOR
02024	GEAR MOTOR	A0172	GEAR MOTOR
02030	MICRO SWITCH	02293	MICRO SWITCH
02031	SWITCH ROLLER	02293	SWITCH ROLLER
02032	VALVE,12VDC	SA2010	VALVE,12VDC
02033	POINTER-BLACK, UL, GP	A5064	POINTER-BLACK, UL, GP
02046X108	14/3 POWER CORD	02046	14/3 POWER CORD
02079X2	1-1/2 ID HT SHK TUBE	02079	1-1/2 ID HT SHK TUBE
02080-1	AC CONTACTOR	02080	AC CONTACTOR
02128	SWITCH	02071	SWITCH
02130	GEAR MOTOR	02525	GEAR MOTOR
02157	SCR	02223	SCR
02199	VLS 4-WIRE REPLACEMENT KIT	RP193	VLS 4-WIRE REPLACEMENT KIT
02208X12	1/2" ID HEAT SHRINK TUBE	02208	1/2" ID HEAT SHRINK TUBE
02238	12/3 CORD	SA1107	12/3 CORD
022444010	MEASURING PADS - 1 DOZEN	022444110	MEASURING PADS
02259	SOLENOID 220V 50/60HZ	294002274	SOLENOID 240V 50HZ LH 3000 Ser
02261	SOLENOID 220V 50/60HZ	294002275	SOLENOID 240V 50HZ RG 3000 Ser
02287	MOTOR GEAR 220	A0376	MOTOR GEAR 220
02291	OIL SOLENOID 220 VOLT	294002276	Solenoid 240V 50HZ RH 2000 Ser
02307X53	WIRE-SHIELDED 2 COND-22AWG	02307	WIRE-SHIELDED 2 COND-22AWG
02312	MOTOR	80074	MOTOR
02353	DIG POS INDCTR	A0724	DIG POS INDCTR
02360	VAC PUMP,110V	02586	VAC PUMP,110V
02482	LED HARDWARE	02334	LED HARDWARE
02483	LED DECODER	02334	LED DECODER
02484	PREWRED 02-575 LK START SWITCH	RP91	PREWRED 02-575 LK START SWITCH
02505X22	RED WIRE 20GA MTW/AWM	02505	RED WIRE 20GA MTW/AWM
02505X5	RED WIRE 20GA MTW/AWM	02505	RED WIRE 20GA MTW/AWM
02505X6	RED WIRE 20GA MTW/AWM	02505	RED WIRE 20GA MTW/AWM
02563X1	1/8" HEAT SHRINK TUBING	02563	1/8" HEAT SHRINK TUBING
027001323	MTR-BLOWER	000022141	BLOWER MOTOR ASY
02742X12	3/4 ID HEAT SHRINK TUBE	02742	3/4 ID HEAT SHRINK TUBE
02768	COMPSON 110V	80119	COMPSON 110V
02769	COMPRSOR 220V	80120	COMPRSOR 220V
02772	SPEDD CONTRLER	02771	SPEDD CONTRLER
02775	DIGITAL INDICATOR, HRZ, SHEILD	02352	DIGITAL POSITION IND. MOD. 100
02776	DIGITAL INDICATOR, VRT, SHEILD	A0724	VERT SENSOR BASE MODIF., 220V
02780	CRIMP TERM MAL	02202	CRIMP TERM MAL
02781	CRIP TERM,FEM	02203	CRIP TERM,FEM
02785	KIP VALVE #2X1219V-12VDC	294002165	KIP VALVE PLUNGER ASSEMBLY
030001112	GRIPPER ASY	030008370	GRIPPER ASY
030001330	LINK TABLE	030001331	LINK ASY
030004700	SOCKET	030008346	WIRE ASY-RESPOT *3

PART #	DESCRIPTION	CROSS REFERENCE PART #	CROSS REFERENCE DESCRIPTION
030004702	SWITCH	000026042	SWITCH-MICRO
030004732	PLUG	030008346	WIRE ASY-RESPOT *3
030005453S	VERT LGT FLAT	030005453	BELT-BALL ELEVATOR
030005839	INFRARED PIN COUNTER	030005840	8230 INFRARED PIN CNTR12V
030005886	RELAY 24V DC	030005862	RELAY-G.A.D.C.
030005924	CPCTR-460 522MF 110V	743000020	CPTR-460-552MFD110AC
030006456	HUB CARPET ROLLER	030006457	HUB-SHEAVECARPT ROLL
030006963	APRON WELD RH	000027099	APRON & MAT ASY RH
030006964	APRON WELD LH	000027100	APRON & MAT ASY LH
030007019	ROD END	000026446	ROD END
030007407	BRG BL UPR SHFT ELEV	000024683	&BRG-BALL ELEVATOR
030007633	82-30 DIST BLT-BLK	030005677	82-30 DIST BLT-NITRILE
030008395	PLOW WLD SML R.H.	030008397	PLOW MAT ASY RH
030008396	PLOW WLD SML LH	030008398	PLOW MAT ASY LH
030008495	KICKBACK PANEL	030006495	PANEL
030008698	ORIENTOR WELD	030008699	ORIENTOR ASY DIST
030008792	BELT-V CARPET DRIVE	030008671	BELT-V CRPT+BL EL134
030008831	SHEAVE-DRIVE	000022172	SHEAVE-BACK END DRIVE
030016524	240V 50HZ-82-30 MP CHAS	520316524	MP CHASSIS 240V 50HZ 82/30 REB
030016526	120V-60HZ-MP CHASSIS	520316526	REBUILT 82/30 MP
03021	GEAR 5/16 BORE	A0564	GEAR 5/16 BORE
03023	GEAR	SA1060	GEAR
03027	BRONZE GEAR	B0208	BRONZE GEAR
03034	PULLEY 1/4BORE	A0426	PULLEY 1/4BORE
03045	U JOINT	A0597	U JOINT
03066	PULLEY 1/2" BORE	A0425	PULLEY 1/2" BORE
03405	BEAR'G SHAFT	SC5	BEAR'G SHAFT
04004-1	CASTER	04004	CASTER
04022	HOOD HINGE	A0197	HOOD HINGE
04025	SLEEVE CAP	294004025	SLEEVE CAP
04036X120	PLASTIC TUBING	04036	PLASTIC TUBING
04036X32	PLASTIC TUBING	04036	PLASTIC TUBING
04036X48	PLASTIC TUBING	04036	PLASTIC TUBING
04036X9	PLASTIC TUBING	04036	PLASTIC TUBING
04054	RED EDGE	04596	RED EDGE
04069X8	TRIM LOC -1/8"	04069	TRIM LOC -1/8"
04073	HOOD LATCH	A0458	HOOD LATCH
04074X46	AIRTEX FOAM TAPE	04074	AIRTEX FOAM TAPE
04112	VOLUME VALVE	RP125	VOLUME VALVE
04113	STEEL CLAMP	04121	STEEL CLAMP
04115X6	3/8" TYGOTHANE	04115	3/8" TYGOTHANE
04116X32	2" SUCTION HOSE	04116	2" SUCTION HOSE
04116X36	2" SUCTION HOSE	04116	2" SUCTION HOSE
04122	SEE RP-156	RP156	SEE RP-156
04125	CK/VALVE	RP156	CK/VALVE
04128X10	TYGOTHANE TUBE - 1/4 ID	04128	TYGOTHANE TUBE - 1/4 ID
04128X12	TYGOTHANE TUBE - 1/4 ID	04128	TYGOTHANE TUBE - 1/4 ID
04128X13	TYGOTHANE TUBE - 1/4 ID	04128	TYGOTHANE TUBE - 1/4 ID
04128X14	TYGOTHANE TUBE - 1/4 ID	04128	TYGOTHANE TUBE - 1/4 ID
04128X16	TYGOTHANE TUBE - 1/4 ID	04128	TYGOTHANE TUBE - 1/4 ID
04128X29	TYGOTHANE TUBE - 1/4 ID	04128	TYGOTHANE TUBE - 1/4 ID
04128X52	TYGOTHANE TUBE - 1/4 ID	04128	TYGOTHANE TUBE - 1/4 ID
04128X7	TYGOTHANE TUBE - 1/4 ID	04128	TYGOTHANE TUBE - 1/4 ID
04128X8.5	TYGOTHANE TUBE - 1/4 ID	04128	TYGOTHANE TUBE - 1/4 ID
04128X9	TYGOTHANE TUBE - 1/4 ID	04128	TYGOTHANE TUBE - 1/4 ID
04143X12	2" VINYL HOSE	04143	2" VINYL HOSE
04143X15	2" VINYL HOSE	04143	2" VINYL HOSE
04149	1-1/2 HOSE	A1067	1-1/2 HOSE
04149X21	1 1/2" VINYL HOSE	04149	1 1/2" VINYL HOSE
04149X35	1 1/2" VINYL HOSE	04149	1 1/2" VINYL HOSE
041740097	FLOR MCH 50HZ W/O BRUSH	041740096	20" ROTARY FLOOR MACHINE 220V
04209	SPADE BIT SET	SA0074	SPADE BIT SET
04277	O-RING VACU-J	04352	O-RING VACU-J
04293X120	TUBING, 3/16 ID X 5/16 OD	04293	TUBING, 3/16 ID X 5/16 OD
04293X36	TUBING, 3/16 ID X 5/16 OD	04293	TUBING, 3/16 ID X 5/16 OD
04293X48	TUBING, 1/8 ID X 5/16 OD	04293	TUBING, 1/8 ID X 5/16 OD
04298	COMPRSSR 110V	80093	COMPRSSR 110V

PART #	DESCRIPTION	CROSS REFERENCE PART #	CROSS REFERENCE DESCRIPTION
043023071	SCORE PAD-LEAGUE SEC	290001145	LEAGUE RECORD FORM-1600 PER BX
04308	GAUGE 0-10SPI	04449	GAUGE 0-10SPI
04312	CYLINDER	04634	CYLINDER
04323	SLIDE LATCH, FLUSH	705062512	LATCH
04329X12	TUBING, 1/8 ID X 1/4 OD	04329	TUBING, 1/8 ID X 1/4 OD
04329X44	TUBING, 1/8 ID X 1/4 OD	04329	TUBING, 1/8 ID X 1/4 OD
04354	1/4 NPT,COUP	04223	1/4 NPT,COUP
04367	ROTARY 110V	041007400	ROTARY 110V
04368	ROTARY 220V	041740096	ROTARY 220V
04394	BALL CHECK VA	SA0268	BALL CHECK VA
04400	RUBBER GROMMET 3/8" ID	04027	RUBBER GROMMET 3/8" ID
04474	CLUTCH SPRING	04268	CLUTCH SPRING
04485	LOCK ONLY	LKA16	LOCK ONLY
04596	DUST CL(1RL	294008443	DUST CL(1RL
04605X132	TRIM LOCK	04605	TRIM LOCK
04605X2	TRIM LOCK	04605	TRIM LOCK
04605X4	TRIM LOCK	04605	TRIM LOCK
04605X76	TRIM LOCK	04605	TRIM LOCK
04626	CHANL MOP R	041003921	CHANL MOP R
04627	CANEL MOP R	041003911	CANEL MOP R
04649	TFE PIPE THD S	04648	TFE PIPE THD S
047087162	SHOE FRESHENER	047000100	FRESH CARE LIQUID
049004630	RAIL PLASTIC RUNNER 75"ROLL	049006360	RAIL PLASTIC RUNNER (75 FT ROL
049006305	OVERLAP PIN DECK	049006700	ALLIANCE/INTEGRA PIN DECK ASY
049006375	ADJUSTABLE PIN DECK	049006701	ADJUSTABLE PIN DECK
049006386	1/2 x 1/8 HPL PLUG	049009534	1/2 X 1/8 HPL PLUG
049006393	3/4 x 1/8 HPL PLUG	049009535	3/4 X 1/8 HPL PLUGS,BAG/10
049006427	ULTRA TOOL 1/2"	049006449	1/2X1/2X1 ROUTER BIT
049006575	GUTTER END RAMPS BLUE USE 049	049000575	BLUE END RAMP
049007051	GUTTER CLIP SCREW	821540910	CUTTER CLIP SCREWS
049007066-B	79" PLASTIC RAIL W/INSERT & HO	049007092-B	BLUE 8'3" LEFT PLASTIC RAILS
049007066-C	79" PLASTIC RAIL W/INSERT & Ho	049007092-C	CLEAR 8'3"LEFT PLASTIC RAIL
049007066-G	79" PLASTIC RAIL W/INSERT & HO	049007092-G	GREY 8'3"LEFT PLASTIC RAIL
049007066-N	79" PLASTIC RAIL W/INSERT & HO	049007092-N	BROWN 8'3"LEFT PLASTIC RAILS
049007067-B	79" PLASTIC RAIL W/INSERT & HO	049007091-B	BLUE 8'3" RIGHT PLASTIC RAILS
049007067-C	79" PLASTIC RAIL W/INSERT & HO	049007091-C	CLEAR 8'3"RIGHT PLASTIC RAIL
049007067-G	79" PLASTIC RAIL W/INSERT & HO	049007091-G	GREY 8'3" RIGHT PLASTIC RAIL
049007067-N	79" PLASTIC RAIL W/INSERT & HO	049007091-N	BROWN 8'3" RIGHT PLASTIC RAILS
049007069	SELF TAPPING SCREW	822340720	SELF TAPPING SCREW-COIL SPRING
049007076	H BRACKET	049007093	H-BRACKET UPGRADE INSTALLATION
049007076-B	10' RAIL PREDRILLED BLUE-USE 0	049007075-B	10' PLASTIC RAIL PREDRILLED
049007076-C	10' RAIL PREDRILLED CLEAR-USE 0	049007075-C	10' PLASTIC RAIL PREDRILLED
049007076-G	10' RAIL PREDRILLED GREY-USE 04	049007075-G	10' PLASTIC RAIL PREDRILLED
049007076-N	10' RAIL PREDRILLED BROWN-USE	049007075-N	10' PLASTIC RAIL PREDRILLED
049008410	36" BLACK PIT LIGHT	751001460	BLACK LIGHT T8 36" 30W
049009517	DOWEL PLUG, GLOW, 1/2" DIA. X	049009536	1/2 x1/8 GLOW HPL PLUGS,BG/100
06004	VISFLO 24.5	294006004	VISFLO 24.5
06012	ECO 2,2.5	294006012	ECO 2,2.5
06020	PINKP 2X2.5	294006020	PINKP 2X2.5
06021	2X2.5 GAPK	294006021	2X2.5 GA PK
06022	388,30 GAL	294006022	388,30 GAL
06025	VISFLO 24,1	294006025	VISFLO 24,1
06026	VISF 36,1GA	294006026	VISF 36,1GA
06033	CH CONT A/B	294006033	CH CONT A/B
06034	1 QT A/B	294006033	1 QT A/B
070001404	PLOW W/LDMNT SMALL RH	070001412	PLOW & MAT ASY SM RH
070001558	TIE ROD ASM (S6257)	090005253	TIE ROD ASSY
070001559	HOOK-HOOK ASY	070001598	HOOK & BUSHING ASY
070001565	LINK	070001605	SPOT LINK ASY-UPPER
070001602	TIE ROD ASY-SPOTTING (S6290)	090005252	TIE ROD ASSY SPOTTING
070001644	LEVER-SWITCH	000021645	LEVER ASY-SWITCH
070001770	LEVER ASY	070001852	LEVER TABLE ARM
070001771	LINK	610704016	LINK ASY
070001825	LINK SOLENOID	610704120	CONV KIT DBL-SGL SOL
070001861	LINK & HUB ASY	070007250	LINK HUB ASSEMBLY
070001864	WASHER SOLENOID	000021442	WASHER-RUBBER
070001889	HOUSING CRANK TBL DR	070002778	HOUSING/CUP ASY

PART #	DESCRIPTION	CROSS REFERENCE PART #	CROSS REFERENCE DESCRIPTION
070001918	LATCH	070001898	LATCH ASSEMBLY
070001970	DOWNSWEEP ASY 40DEG	049006591	DOWNSWEEP ADJ DROP
070001996	LATCH-SPOTTNG ARM	070001997	LATCH ASY-SPT ARM AY
070002033	ROLLER	070002034	&ROLLER ASY-REAR
070002168	PLOW WLDMNT SMALL LH	070002169	PLOW & MAT ASY SM LH
070002171	GROMMET-CURTN ROD	070011286	BUSHING-CURTAIN ROD
070002538	BRKT-CONNECTOR	090002538	TABLE CONNECTOR BRACKET
070002587	LINK-TABLE ASY	070002582	DRIVE LINK ASY-REAR
070002588	LINK-RESPOT ACTUAT.	070002583	LINK ASY-ACTUATING
070002589	FINGER LEVER	070002579	LEVER ASY FINGER
070002592	PIN FINGER	090005629	PIN
070002599	LEVER	070002578	LEVER ASSEMBLY SPOT
070002600	YOKE & SPOTTING CUP ASSY	070002623	&YOKE & BEARING ASSY
070002608	COLLAR SPRING YOKE	090004033	SPRING RETAINER
070002611	LINK	070002612	TIE LINK ASM
070002655	FRAME ASSY	070002686	FRAME ASM 7 CELL
070002656	LEVER	610704026	KIT-#7RESPT LVR ASY
070002666	LEG-REAR	070002665	LEG ASY-REAR
070002679	LEVER RESPOT	070002680	LEVER RESPOT ASY
070002694	YOKE RESPOT	070002629	YOKE RESPOT ASM
070002695	YOKE PLATE	070002644	PLATE YOKE ASY
070002712	LEVER-GP SWITCH	070002758	LEVER & BUSHING ASY
070002724	SHIFTER LINK	070002727	LINK & BEARING ASY
070002725	CAM LINK	070002728	CAM LINK BRG ASY
070002767	LINK - TABLE ASSY	070006669	LINK RESPOT
070002769	LINK-TABLE ASY	070002768	LINK-TABLE ASY
070003115	DR LINK CONN ROD ASM (S6291)	090005254	DR LINK CONN ROD ASY
070003116	TUBE DR LINK CON ROD	090005254	DR LINK CONN ROD ASSY
070003156	LINK-STABILIZE-SWEEP	070003238	LINK ASY-SWP STAB
070003157	LINK DRIVE ASY	070003158	LINK-DRIVE ASY-SWEEP
070003181	LINK-SWEEP	070003184	SUPPORT-LINK ASY-SWP
070003209	BUMPER	070007280	SWEEP LINKASY TELES
070003239	LINK-SWEEP	070003238	LINK ASY-SWP STAB
070003242	LINK ASY SWEEP	090007319	LINK ASY SWEEP
070004036	MTR&REC115/230-50 RH	070006212	MTR&REC 115/230-50 RH
070004037	MTR&REC115/230-50 LH	070006211	MTR&REC 115/230-50 LH
070004042	MTR&REC LH BE 110/60	610704042	MTR&REC LH BE 110/60
070004043	MTR&REC RH BE 110/60	610704043	&MTR&REC RH BE 110/60
070004047	MTR-115/230-50 COMB	070006219	&MTR-115/230-50 COMB
070004052	MTR-115/60 WEST COMB	610704052	MTR115/60 WESTCOMB*Q.A.
070004700	KICKER FOLDOUT 7028 MAN	610007028	MAN-PTS/SERV 70 MP
070005332	RELAY ASY	000026509	RELAY
070005495	CNECTR-FEML UP CHAS	760019201	TERM SKT .062 DIA LP
070005518	HOOK-GUARD ASY	090004463	HOOK GUARD ASY
070005647	PIT LIGHT & CABLE Asy 240V50hz	090003801	PIT LIGHT 230V 60HZ XL
070006001	ROD-TRIP-DIST.	070011170	TRIP CABLE ASSY
070006008	BELT RUNNER FRNT	070006009	SUPPORT-BELT RUN.ASY
070006010	PULLEY-IDLER CARRAGE	070006011	PULLEY ASY-DIST.
070006023	TUBE WELD	070006021	TUBE ASY-FRONT-DIST.
070006024	TUBE ASY-MIDDLE-DIST	070006022	TUBE ASY-MIDDLE-DIST
070006036	LACING-DIST. BELT 0	1523	11-175604 10-24 WLD BRACK
070006046	ROD END-DIST.SUPT (AM-6-G-8)	090005256	ROD-END-DISTRIBUTOR SUPPORT
070006053	CASTNG	070006136	CASTING & BEARING AS
070006054	CARRIAGE-REAR-DIST.	070006672	CARRIAGE CSTG
070006056	TRIP ARM LH	070006016	TRIP ARM ASY L H
070006057	TRIP ARM	070006015	TRIP ARM ASY R H
070006083	STOP BLADE-TRIP STOP	070006691	STOP BLADES TRP ARM
070006104	SUPPORT GUIDE RH	070006103	SUPPORT GUIDE RH
070006123	BRG FL CONCENTRIC	070006679	BRG SL.752X.877X1.66
070006124	NUT-DIST.CLUTCH	835582002	NUT-HX-JAM 5/8-18
070006125	WORM-ADJUSTING-DIST	070009890	SIMPL8270*CLUTCHASSY
070006126	FRICTION DISC	070009890	SIMPL8270*CLUTCHASSY
070006128	SPRING ASY-DIST.DR.	070009890	SIMPL8270*CLUTCHASSY
070006130	CLUTCH PLATE	070009890	SIMPL8270*CLUTCHASSY
070006144	ORIENTOR PAN ASY DIST	090003077	ORIENTOR PAN ASY DIST.
070006150	DISTRIBUTOR ASY	610704032	DISTRIBUTOR ASSEMBLY
070006179	SHAFT	000022172	SHEAVE-BACK END DRIVE

PART #	DESCRIPTION	CROSS REFERENCE PART #	CROSS REFERENCE DESCRIPTION
070006292	LINK	070006307	LINK ASY-SHUTTLE DR***Q.A.***
070006293	CNECT ROD ASY SHUTLE (S6452A)	090005263	CONNECT ROD ASSY SHUTTLE
070006357	BRKT CASTING	070006358	BRKT ASY-BIN ASY
070006385	TRACK LH	070006386	TRACK ASSY L H
070006387	TRACK RH	070006388	TRACK ASSY R H
070006391	PINION GEAR CASTED	070006678	GEAR PINION
070006434	SIDEFAME-RH LH MACH	090004128	KICKPLATE WELDMNT RH/LHM
070006445	CSTG-ARM	070006429	ARM CSTG ASY LH & RH
070006456	LEVER-STOP-TABLE DR	070006484	STOP LEVER ASY
070006459	LINK-RESPOT ARM	070006492	LINK ARM-RESPOT
070006479	ARM LINK-RESPOT	070006481	LINK ARM-SPOT
070006663	TRIP STOP ROD ASY	090006668	TRIP STOP ROD AND SUPPORTING C
070006665	CSTG-TRIP SUPT-DIST	070006667	TRIP CASTING
070006668	TRIP SUPORT ASY-REAR	090006668	TRIP STOP ROD & CAST ASSY
070006671	TUBE-MIDDLE-DIST.	070006683	TUBE ASY-MIDDLE-CARAG
070006678	GEAR PINION	610704005	PINION & SLEEVE ASY
070006681	CLUTCH PLATE-INDEX	610704006	KIT-CLUTCH PLATE ASY
070006686	PINION GEAR ASY	610704005	PINION & SLEEVE ASY
070006687	CSTG-CARGE SUPT-DIST	070006688	SUPPORT-CARRIAGE ASY**Q.A.***
070006699	BRG BL.75X1.6530X.68	610905704	STRT BOR BRNG & SPCR KIT
070006727	SOLENOID-UNIVERSAL	090005723	SOLENOID-INSULATED
070006746	SHAFT-LOWER	610900709	STRT SHFT&SPCR KIT LOWR
070006747	SHAFT UPPER	610900711	STRAIGHT SHFT&SPACER KIT UPPER
070006749	CLUTCH RACE	090003401	CLUTCH RACE-WITH SLOT
070006761	CUSHN CVR-POLYURTHN	090005230	CUSHION COVER REINFORCED NOTE
070006776	CUSHION COVER-REINFORCED	090005230	CUSHION COVER REINFORCED NOTE
070007115	PLUG ASY	755010303	RECPTCL-3WIRE TWSTLK
070007137	ROD LINK ASY (S6445)	090005262	ROD LINK ASSY
070007261	FINGER ASY-RESPOT	090004123	RESPOT FINGER ASSEMBLY
070007312	TRANSISITOR 2N5449	762502034	TRNSTR-MPS 2222
070007364	SUPT BRKT ASY RH	070007360	BRKT-SUPPORT WELD
070007372	BRKT-PIT SUPT-RH RH	070001450	PIT SUPT BRKT-BDS
070007373	BRKT-PIT SUPT-LH RH	070001451	PIT SUPT BRKT-OBDS
070007374	BRKT-PIT SUPT-LH LH	070001450	PIT SUPT BRKT-BDS
070007375	BRKT-PIT SUPT-RH LH	070001451	PIT SUPT BRKT-OBDS
070007619	ASY-YOKE RESPOT	070002647	YOKE RESPOT ASY
070007772	BRACE-YOKE REPAIR	610704011	YOKE REPAIR KIT
070007829	MTR-COMBO 120/60	070007829	MTR-COMBO 120/60
070008134	LINK ASY	070008135	LINK ASY
070008327	BRKT-BALL IDLING	070007769	BRACKET WELDMNT
070008327	BRKT-BALL IDLING	610704014	KIT-BALL IDLING BRKT
070009800	M/P CHASSIS 110v-50/60 HZ	070003900	MP+ CHASSIS 110V/60 Hz
070009801	BRKT PC BRD MP CHASS	620709802	CHAS-MP 60HZ LESS-BDS-RB
070009830	M/P CHASSIS 220-v 50/60HZ	070003901	MP+ CHASSIS 220V/50 Hz
070009846	LAMP MODIFD-120/60	000021652	PIT LIGHT ASY 120/60
070009850	PC BD MP CHAS	070009860	82-70 SINGLE CHIP PCB
070009851	PC BD-MP MK5	070009860	PC BD MP CHAS
070009858	LAMP ASY-PTLTE120/60	000021652	PIT LIGHT ASY 120/60
070009868	SLOTD TRIP ROD/CAST ASY	090006668	TRIP STOP ROD & CAST ASSY
070009901	MP II CHASSIS WITH PINDICATION	630709802	MP CHASS LESS PC. USED
070010239	BRKT SOL CONV	610704120	CONV KIT DBL-SGL SOL
070010240	ROD SNGL SOL CONV	610704120	CONV KIT DBL-SGL SOL
070011047	YOKE ASY LOWER	000024659	YOKE LOWER
070011049	ROD ASY (S6450)	090005259	ROD ASSY
070011120	LIGHT BALL SENSOR ASSEMBLY	610700122	LIGHT BALL SENSOR
070011201	KICKBACK ASY-LH LH	090004129	KICKBACK LH/LH
070011202	KICKBACK ASY-RH RH	090004126	KICKBACK RH/RH
070011227	CRANK ASY	070011037	CRANK ASSEMBLY
070011331	WIRE ASY-SWEEP REVRS	070011330	KIT-SWP REV MPU CHAS
070011333	JUMPER ASY	070011330	KIT-SWP REV MPU CHAS
070011351	SPACER-LWR YOKE ASY	945091242	WSHR-1X1-1/2
070011377	CRANK ADJ PLATE	070011225	WELD-CRANK ADJ PLATE
070011404	RUDDER CAM RH	070011406	RUDDER CAM ASY RH
070011405	RUDDER CAM LH	070011407	RUDDER CAM ASY LH
070011435T	URETHANE KICKER	070011435	KICKER ROLLER (ORANGE ROUND)
070011528	ARM ASY WELDT RH	070011527	ARM ASY RH
070011531	ARM ASY WELDT LH	070011530	ARM ASY LH

PART #	DESCRIPTION	CROSS REFERENCE PART #	CROSS REFERENCE DESCRIPTION
070011633	DECAL-WARNING	070005614	DECAL-WARNING
070011752	CSTG-OILER BODY	000029201	OILER BODY
070011757	PRINTED CIRCUIT BOARD	070011758	PC BD-RELAY ASY
070C02624	ARM CASTING	070002624	ARM ACT YOKE ASM
070F02624	FINISHING CST	070002624	ARM ACT YOKE ASM
090002030	DISTRIBUTOR DRIVE HOUSING	090001130	DISTRIBUTOR DRIVE HSG
090002035	DISTRIBUTOR DRIVE SHAFT ASSY L	090006103	SHFT ASSY-DIST DRIVE L.H.
090002040	DIST DR SHFT ASSY RH WIDE	090006102	SHFT ASSY-DIST DRIVE R.H.
090003333	LEVER	090003377	SENSOR TARGET
090003411	BALL DOOR WELDMENT LH	070011005	DOOR WELD LH
090003412	BALL DOOR WELDMENT RH	070011006	DOOR WELD RH
090003501	GEAR MTR ASYBELH50HZ	090003528	50HZ BE RH MOTOR
090003504	GEAR MTR ASYBERH60HZ	090003530	60 HZ RH BE MOTOR
090003506	GEAR MTR ASY BERH50HZ	090003529	50HZ LH BE MOTOR
090003510	GEARMOTOR-COMPLETE 50HZ COMBO	090003526	50HZ MTR/GEAR BOX ASY SM. PLUG
090003511	GEARMOTOR-COMPLETE 60HZ COMBO	090003527	60HZ MTR/GEAR BOX ASY SM. PLUG
090003512	GEARMOTOR-COMPLETE 50HZ RH BE	090003528	50HZ BE RH MOTOR
090003513	GEARMOTOR-COMPLETE 50HZ LH BE	090003529	50HZ LH BE MOTOR
090003514	GEARMOTOR-COMPLETE 60HZ RH BE	090003530	60 HZ RH BE MOTOR
090003606	TABLE DRIVE ASSY	070001840	&TABLE DRIVE ASY
090003675	MANAGERS CONTROL BOX 82-90	610903697	MANAGERS CONTROLL INSTALLATION
090003722	FRONT END ELECTRICAL BOX	090005827	UNIVERSAL FRONT-END BOX
090003723	PHOTOEYE TRIGGER ASSY	090003769	BALL DETECTOR CHASS DUAL SPEED
090003765	B/E MOTOR 50HZ	090007310	BE MOTOR 50HZ.
090003767	F.E. MOTOR - 60HZ	090004547	MOTOR F.E. 60 HZ
090003768	F.E. MOTOR - 50HZ	090004548	MOTOR FE 50HZ.
090004004	RH INNER SIDE BRACE	090005647	RH INNER SIDE BRACE
090004008	TABLE TORQUE TUBE	090005645	TORQUE TUBE
090004009	SWEEP ROCKER ARM	090004010	SWEEP ROCKER ARM WELD
090004101	DISTRIBUTOR MOUNT WELDMENT	090003112	DISTRIBUTOR MOUNT
090004119	FINGER - RESPOT	090004123	RESPOT FINGER ASSEMBLY
090004170	BOUNCE BOARD ASSY RH	090005275	BOUNCE BD ASSY R.H.
090004171	BOUNCE BOARD ASSY LH	090005276	BOUNCE BD ASSY L.H.
090004433	TAPERED BULLIT	070011018	BALL GUIDE
090004503	MOTOR-FRONT END 60 HZ	090003532	FRONT END MOTOR 60HZ
090004505	MOTOR-BACK END 50 HZ	090003765	MOTOR BE 50HZ
090004524	C90 MOTOR RECEPTACLE ASSY	755050773	RECPTCL 7-PIN W/WIRES
090004547	MOTOR FE 60HZ.	090003847	MOTOR FE 60HZ W/BRAKE
090004548	MOTOR FE 50HZ.	090003848	MOTOR FE 50 HZ WITH BRAKE
090005055	SLEEVE	070006676	SLEEVE-DIST.DRIVE
090005107	PIN ELEVATOR ROLLER	090007327	PIN ELEVATOR ROLLER
090005116	CLEAT-PIN HOLDER RH	000025331	*BRKT-PIN HOLD RH
090005117	CLEAT-PIN HOLDER LH	000025330	*BRKT-PIN HOLD LH
090005119	SHOULDER BOLTS 3/4 X 1 1/2 SOC	880781240	SHOULDER BOLT 3/4 X 1 1/2
090005170	BOUNCE BOARD RF	090005270	BOUNCE BOARD RH FRNT PHEN
090005172	BOUNCE BOARD RR	090005272	BOUNCE BOARD RHREAR PHEN
090005173	BOUNCE BOARD LR	090005273	BOUNCE BOARD LHREAR PHEN
090005274	SUPPORT CHANNEL	000029898	BAR-REINFORCING 40.5
090005551	SPRING COUNTER	000022782	SPRING COUNTER BAL
090005644	CB SPRING	090005662	CB SPRING
090005765	FRONT END BOX S/F	090005827	UNIVERSAL FRONT-END BOX
090005775	FRONT END BOX PINDICATION	090005827	UNIVERSAL FRONT-END BOX
090005776	TRANSFORMER ASSY	232009116	TRANSFORMER 50/60 CYCLE
090005800	PIT SIGNAL POWER BOX 61	0905800	PIT SIGNAL POWER KIT
090007023	TUBE HBR WELDMENT	090007426	RECT. TUBE WELDMENT
090007031	TUBE WELDMENT CUSHION LH	070002252	TUBE WELD CUSHION LH
090007032	TUBE WELDMENT CUSHION RH	070002050	TUBE WELD RH
090007092	FRAME KICKBACK SUPPORT	090007458	KICKBACK SUPPORT FRAME
090007144	BEARING D-BORE 9 BALL	070011797	BRG BALL "D" BORE
090007197	DOOR RING METAL RH	070011642	URETHANE BALL DOOR - RH
090007201	DOOR RING METAL LH	070011641	URETHANE BALL DOOR - LH
090007261	LINKAGE DAMPENER	090007334	HBR DAMPENER
090007274	ROD LOWER WELDMENT	090007461	ROD LOWER
090008825	CONTROL BOX ASY (4992)	090008925	PBS/HBR BOX
090008875	CLUTCH ASY (5177)	090008870	CLUTCH ASSEMBLY KIT
11001182-001	1/4-20X3/4 HEX	01046	1/4-20X3/4 HEX
11001193-001	1/4-20X2-1/4	01181	1/4-20X2-1/4

PART #	DESCRIPTION	CROSS REFERENCE PART #	CROSS REFERENCE DESCRIPTION
11006118-001	BUTN HEAD SCKT	01464	BUTN HEAD SCKT
11010907-001	HEX HD TAP SC	01404	HEX HD TAP SC
11011346-001	HEX HD BOLT	01553	HEX HD BOLT
11012391-001	1/4-20X1-3/4	01254	1/4-20X1-3/4
11013020-001	SLTD.MACH SCR	01108	SLTD.MACH SCR
11013092-001	MCH SCREW	01113	MCH SCREW
11013096-001	PAN HD SCR	01019	PAN HD SCR
11013098-001	SLT.MACH. SCR	01022	SLT.MACH. SCR
11027038-001	WELD STUD 01542	WELD	STUD
11107010-001	RD HD MACH SCR	01401	RD HD MACH SCR
11125007-001	HX NUT 1/4-20	01052	HX NUT 1/4-20
11125214-001	HX NUT	01499	HX NUT
11131503-001	HX FLANGD NT	01519	HX FLANGD NT
11170007-001	LOCKNUT 1/4-20	01051	LOCKNUT 1/4-20
11170011-001	LOCKNUT 3/8-16	01415	LOCKNUT 3/8-16
11170014-001	LOCKNUT 7/16	01159	LOCKNUT 7/16
11195014-001	LOCKWASHER 1/4	01054	LOCKWASHER 1/4
11198003-001	EXT.Tooth LCK	01033	EXT.Tooth LCK
11335055-001	COTTERPIN 1/16	01080	COTTERPIN 1/16
120001022	PLATE-CONT UNIT RDRY	120001023	GASKET BASE WELDMENT
120001082	SPACER- PHOTOC L WIRE	120001083	PHOTOCELL WIRING ASY
14300049-000	WET FILM GA	294004439	WET FILM GA
14400034-000	BRACKET	LK279	BRACKET
14400040-000	PULLLEY	LK81	PULLLEY
14400047-000	SPRING	LK323	SPRING
14400078-010	BAFFLE(REPL LK-A206)	LK234	BAFFLE(REPL LK-A206)
14400164-000	FILTER RETAINE	LK293	FILTER RETAINE
14400207-010	CENTER BAFFLE	LK272	CENTER BAFFLE
145005558	LATCH GUARD	145005507	LOCK & KEY ASY
14860170-010	LK 50-100-150	600153	LK 50-100-150
190001557	FUSE RECEPTACLE	000021728	FUSE RECEPTACLE CIRCLE F 266
190001562	MTR-1/4 HP 220/50	752004009	MTR-1/4HP 110/220HZ
190001570	*PULLLEY	190001572	PULLLEY ASY
190F01570	FINISHING/PULLLEY NOT SELLABLE	190001572	PULLLEY ASY
20085A	BLANK 1/8" 5052-H32 (C-0644)	20085	AL 1/8X48X144 CF 5052-H32 SH
20511	OIL TNK EXTRU	20452	OIL TNK EXTRU
208111218	MTR ASY-MO 4 RETURN	000022068	MTR-PATTERN
208111220	MTR ASY-240V50HZ	752004009	MTR-1/4HP 110/220HZ
208111236	MAGNET	612081018	KIT-LATCH.CNV.BL.RET
208111275	MTR-BLOWER 230/50-60	208111276	MTR-BLWR 240 50/60
209001039	HOLDER-DRNK HLDR ASY	209001040	HOLDER ASY
218002608	VOLTAGE ARRESTOR 120 V ONLY	218003209	UNIVERSAL AC SURGE SUPPRESSOR
218003118	TIME DELAY MODULE	218003157	PC BOARD TIME DELAY MODULE**
218003152	PC BD-TME DELY MDULE	218003157	PC BOARD TIME DELAY MODULE**
218003155	PC BD-MTHR TIME DELY	522183157	PC BD TIME DEL MOD-REB
218003156	TIME DELAY MODULE	218003157	PC BOARD TIME DELAY MODULE**
218003208	VOLTAGE ARRESTOR 230 VOLT	218003209	UNIVERSAL AC SURGE SUPPRESSOR
220001119	PSEN BOARD ASY	522201119	PSEN BOARD-REBUILT
231001033	PCBA - CPU BOARD	522311033	PC BD-CPU-REBUILT
231001033	PCBA - CPU BOARD	522311033	PRINTED CIRCUIT BOARD CPU
231001033	PCBA - CPU BOARD	532311033	PRINTED CIRCUIT BOARD CPU
231001035	PCBA -LANE C LIU BOARD	522311035	PRINTED CIRCUIT BOARD LANE C L
231001037	PCBA -PWR & CNTRL BOARD	522311037	PRINTED CIRCUIT BOARD POWER AN
231001120	LIU - W/O BOARDS	522311120	LIU-W/O BDS-REBUILT
231001154	SCORER INTERFACE UNIT, 115V 60	522311154	SIU BOX-RS 485-REBUILT
231001177	RECAP SHT 4PRT-ADVAN (1,600/BX	290001145	LEAGUE RECORD FORM-1600 PER BX
232001060	PC BD-BOWLR TERM	232006156	PC BD-BWL TRM**NOT FOR RESALE*
232002087	KEYBRD ASY-ACCUSCR	522322087	KEYBRD-ACCUSCR-REBUILT
232005050	PC BD-GDC VIDEOGRPH	522325050	PC BD-GDC VIDEOGRAPH
232005055	PC BD-EMC PCB	522325055	PC BD-EMC-REBUILT
232005085	PC BD-LOGIC M2 CONV	522325085	PC BD-LOGIC M2 CONV
232006035	PC BD. EMC ASII	522326035	PC BD-EMC EXPN-REBUILT
232007020	PC BD-MNTR CNTRL	232007135	MONITOR CONTROL PANEL ASY
232007054	CBL-MNTR/MNTR ASC+OBS	232008194	CBL-MNTR/MNTR
232007090	EPROM MODUL ASC+ ENG	232007265	EPROM MODULE-ENG/PIN
232007101	KEYBOARD, B/T CONSOLE-FLAT	612320812	KIT-KEYBD REPL ASC+
232007102	INSERT-OPER INSTR	232007114	ACCSU PLUS-KYBD INSTR SHEET

PART #	DESCRIPTION	CROSS REFERENCE PART #	CROSS REFERENCE DESCRIPTION
232007150	CWC, A/S+ 115V 50/60HZ	522327150	CWC 115VAC-REBUILT
232007275	ACCUSCORE + 8230 PWR CNTRL/RPO	232007346	RPO KIT 82/30 POWER CNTRL
232007320	MONITOR 27" COLOR, NTSC, ZENITH	522327320	27" COLOR MONITOR
232007350	CWC A/S+ 115V/230V	522327350	CWC A/S 115/230
232007360	ASSEMBLY VIDEO DIST. AMP - 115	232007510	VIDEO DISTRIBUTION AMP
232008056	MONITOR 27" NTSC, WELLS - C'90	232008518	C-90 ACCUSCORE+ 27" WG MONITOR
232008338	ASSEMBLY - GEAR UNIT BRUNSWICK	232008990	ASSY-TIMING GEAR INTERFACE XL
232008446	DUAL 13" MONITOR, WELLS - LOWB	522328446	DUAL 13"MNTRWELLS LOWBOY
232008465	SUB-ASSEMBLY MONITOR BEZEL/COV	232008581	CVR SPECIAL DUAL MODEL 500XL
232008680	PCB BOWLER TERMINAL	286001050	PCB Bowler Terminal
232008705	CAMERA INTERFACE BD. ACCUSCORE	522328705	CAMERA INTERFACE BD ACCUCL
232008742	ASSY MONITOR 27" EYGO	232008855	ACCUSCORE XL 27" W/G MONITOR
232008760	FINAL ASSY CONTROLLER WITH FLO	232009200	CONTROLLER W/FLOPPY DRIVE
232008855	ASSY MONITOR 27" WELLS GARDNER	522328855	MONITOR 27" WELLS GARDNER
232008862	CABLE ASSY AC BOARD CONTROLLER	286001107	"Y" Adaptor Cable
232008918	REPEATER MULTIPOINT - 110 VAC	232009298	REPEATER 8 PORT w/AUI
232008919	REPEATER MULTIPOINT - 230 VAC	232009298	REPEATER 8 PORT w/AUI
232009005	ASSY FAN 120V	232009225	Universal Fan Assembly
232009060	ASSEMBLY SCORER CONTROLLER	232009290	BOSS SCORER CONTROLLER W/O TUN
232009105	ASSY FAN 230V	232009225	UNIVERSAL FAN ASSEMBLY
232009270	BOSS SCORER CONTROLLER W/O TUN	232009290	BOSS SCORER CONTROLLER W/O TUN
232009275-055	SCORER CONTROLLER W/8755 U.S.	232009295-055	SCORER CNTRL W/8755 TUNER CAR
232009297	REPEATER 4 PORT w/AUI	232009298	REPEATER 8 PORT w/AUI
233001000	ARRAY STRIP-ACCUSNC	522331000	ARRAY STRIP-ACCUSNC-REB
234001001	PC BD-84 BL RET	234001002	ASY-PC BD*84"B RET
234001147S	BALL RETURN BELT	234001147	BALL RET BELT 4"
234001148	ASY-TIRE, 84 B RET	234001372	TIRE ASY-SEMI PNEUMC
234001164	ASY-MTR&CBL 240V50HZ	752004009	MTR-1/4HP 110/220HZ
234001169	RCPTCL-DUPLEX84BRET	000024822	OUTLET-DUPLEX
234001170	ASY TRNSFRMR 84 BALL RET	762009020	TRSFMR 115/230 50/60
234001227	LABEL-CAUTION	250001074	DECAL KEEP HANDS AWAY
234001264	BRKT-SWTC FILLER RH61	2342004	KIT-PIT SIGNAL SWTC
236001794	PCBD-STR/FOUL S&T	612362068	PCBD STK/FL WITH REGULATOR
236001795	PCBD-STR/FOUL S/A	612362068	PCBD STK/FL WITH REGULATOR
238001352	TERMINAL, 230VAC (SHIP W/23800)	290005016	WYSE 520 TERM
244001000	PINSENSOR	244001130	ACCUCAM II STD TIME DELAY U/L
244001001	CAMERA O TD	244001130	CAMERA UNDERLANE STANDARD TIME
244001008	HOOD, PROTECTIVE AMF-DARK FAWN	244001007	PINSENSOR HOOD - GRAY
244001009	PINSENSOR HOOD	244001007	PINSENSOR HOOD - GRAY
244001020	ALINMNT KIT-PINSENSE	612320715	KIT-ALMNT-OPTCL UNIT
244001030	ASSEMBLY ADAPTER BOX	244001075	ASSY-ACCUCAM DUAL CAMERA
244001039	MODIFIED CAMERA-ODD LANE	522441039	CAMERA-ODD LANE
244001060	MACHINE TRIGGER SYSTEM	244001058	BALL DETECTOR AMF
244001061	BALL DETECTOR DUAL HEAD, BRUNS	244001059	BALL DETECTOR
244001072	SPARE REFLECTOR KIT	244001121	REFLECTOR - BALL DETECTOR 3 IN
244001125	Camera Underlane Standard Time	244001130	CAMERA UNDERLANE STANDARD TIME
245001011	HINGE	260001064	HINGE MASK OLD & NEW
246001003	REFLECTOR ASS'Y	612460007	REFLECTOR ASSEMBLY (KIT)
246001011	RAD & CHAS W/LED & COV	612460010	RADARAY PLUS UNIVERSAL
246001012	RADARAY PLUS CHASSIS	612460008	RADARAY PLUS SPARE PARTS KIT
246001048	COVER ASSY REFLECTOR	612460007	REFLECTOR ASSEMBLY (KIT)
246029006	RADARAY COVERASY-NOLEDS	246001015	COVER ASSY RADARAY+ WITH LED
249001004	POWER SUPPLY PS-24N 230V ONLY	249001019	Power Supply, 120V/240V
249001019	Power Supply, 120V/240V	614286042	Kit, Intercom 120V/240V
250001011	IDLER S.A. (CBL-A11)	250001085	Kit, Replacement Pulley
250001034	RAIL SPACER (CBL-47)	250001034	RAIL SPACER
250001040	MOTOR 50/60 HZ. (02-216)	250001116	MOTOR ASSEMBLY
250001085	IDLER PULLEY (VA 3001)	612820060	Kit, Replacement Pulley
250001102	IDLER SHAFT (CBL-10)	612820060	Kit, Replacement Pulley
250001207	10TH FRAME SWITCH RUBBER KEY P	250002140	10TH FRAME SW-ASSY
250001236	V WHEEL OPTIONS	250004060	V-WHEEL
250001435	TRANSITION BRACKET	250001119	TRANSITION BRACKET
250001435	TRANSITION BRACKET	250001119	TRANSITION PAD ASSEMBLY CBLA23
250001488	BALL PREDIRECTOR	250001669	BALL DIRECTOR
250001495	BLOWER	252001066	BLOWER FAN ASSY 50 HZ. 110/220
250001497	WEAR SLEEVE, REPLACEMENT	250002037	WEAR SLEEVE CENTER TUBE
250001721	10TH FRAME SWITCH ASSY TO B/R	250001205	TENTH FRAME SWITCH ASSY.

PART #	DESCRIPTION	CROSS REFERENCE PART #	CROSS REFERENCE DESCRIPTION
250001777	FAN 5 IN - 230 VOLT	250001791	FAN-5" 230V
250001792	BOMAX FAN DUAL VOLTAGE	250001122	BOMAX FAN DUAL VOLTAGE
252001024	BLOWER,HAND DRIER ASSEMBLY	252001066	BLOWER FAN ASSY 50 HZ. 110/220
285000001	KEYBOARD, PROGRAMMABLE	285000019	KEYBOARD ASSEMBLY,PROGRAMMABLE
285000075-0103	BOSS PLATFORM INSTALL SET V6.0	285000075-010302	BOSS PLATFORM DELL LOAD V6.0
285000080-010201	BOSS SERVER GHOST 8.0-A	285000080-010204	BOSS SERVER DELL GHOST SET 8.0
285000080-010202	BOSS SERVER GHOST 8.0-B	285000080-010204	BOSS SERVER DELL GHOST SET 8.0
285000080-010203	BOSS SERVER GHOST 8.0-C	285000080-010204	BOSS SERVER DELL GHOST SET 8.0
286001061	CAMERA INTERFACE PCB BOARD	286001060	CAMERA INTERFACE BOARD BOSS &
286001089	KEYBOARD, BOSS SCORING, ICON	286001189	BOSS GLOW KEYBOARD
286002001	COVER, LCD BOWLER'S TERMINAL	286002023	COVER, LCD BOWLER'S TERMINAL
286002010	LCD DISPLAY ASSEMBLY *OBSOLETE	286001135	LCD DISPLAY ASSEMBLY
290001043	LIU ADAPTER - 115V	290001125	RS422 BX W/115/230VP/S
290001130	RS422 CHASSIS 230V	290001125	RS422 BX W/115/230VP/S
290002019	ASSEMBLY - COMPUTONE BD W/8 PO	290004055	ASSY INTELLIPORT BD W/8 PORT S
290002023	MONITOR, VGA MONOCHROME	285000005	MONITOR, SVGA, 14"
290003022	RECEIPT/JOURNAL/VAL. PRINTER,	290003085	RECEIPT/JOURNAL PRINTER 115/23
290004088	TAPE DRIVE - BACKUP 250MB	290004099	TAPE DRIVE 420MB ADVANTAGE
294002241	FUSED DISCONNECT TERMINAL	294002115	14/3 POWER CORD,220V
2940070062	19" BLACK PAD THICKLINE #7200	294007006-2	19" BLK PAD THKLINE #7200 5/CS
294007009-3	100G 18" SAND SCR N DISC 10/CS	294007010-3	100G 19" SAND SCR N DISC 10/CS
294007045	QDT URETHANE TOP COAT 5 GAL	294007057	UV QDT URETHANE TOP COAT 5 GAL
294007046	H S URETHANE TOP COAT 5 GAL	294007057	UV QDT URETHANE TOP COAT 5 GAL
294007047	100% SOLIDS TOP COAT 8 KTS/CTN	294007054	UV 100% SLDS TOP COAT 8 KT/CTN
294007048	WATER BASED TOP COAT 5 GAL	294007074	UV WATER BASED TOP COAT 5 GAL
294007051	EASY BASE COAT, 1 KIT/CARTON	294007084	UV EASYMU, 1 KIT/CARTON
294007052	EAST TOP COAT 1 KIT/CARTON	294007084	UV EASYMU, 1 KIT/CARTON
294007053	FORMULAMU, 8 KITS/CARTON	294007085	UV FORMULAMU, 8 KITS/CARTON
294007055	UV EASY TOP COAT, 1 KIT/CTN	294007084	UV EASYMU, 1 KIT/CARTON
294007056	UV HS URETHANE TOP COAT 5 GAL	294007057	UV QDT URETHANE TOP COAT 5 GAL
294007083	EASYMU, 1 KIT/CARTON	294007084	UV EASYMU, 1 KIT/CARTON
294007087	APPRCH PROTECT PAPER 36"X780'RO	610700917	PAPER-LANE PROTECT
294028240	POWER CORD, HVO SUMMIT, 110V	294002089	12/3 POWER CORD,110V
294028241	POWER CORD, HVO SUMMIT, 220V	294002115	14/3 POWER CORD,220V
294080016	MINI VISFLO STARTER KIT	294006039	VISFLO 12.7,LOW VIS, 4 X 1 GAL
300000165	SWEEP BAR	300000182	SWEEP BAR & CAP ASY
300000167	SWEEP BAR ASY 70	300000182	SWEEP BAR & CAP ASY
300000168	SWEEP BAR MTG ASY	300000182	SWEEP BAR & CAP ASY
300000170	BRKT-SWEEP MTG RH	000023170	STEEL SWEEP RH BRKT MTG
300000171	BRKT-SWEEP MTG LH	000023171	STEEL SWEEP MTG BRKT LH
33570015	BAD NUMBER	033570015	ANGLE EVOLUTION PEARL 15#
512183118	TIME DELAY MODULE	218003157	PC BOARD TIME DELAY MODULE**
512183152	PC BD-TIME DELAY MOD	218003157	PC BOARD TIME DELAY MODULE**
512322087	KEYBRD-CONFIGURED-	232002087	KEYBRD ASY-ACCUSCR
512325045	PC BD-MPU VIDEOGRAPH	522325045	PC BD-MPU VIDEOGRAPH-REBUILT
512325050	PC BD-GDC VIDEOGRAPH	522325050	PC BD-GDC VIDEOGRAPH
512325055	PC BD-EMC	522325055	PC BD-EMC-REBUILT
512325085	PC BD-LOGIC CONV M2	522325085	PC BD-LOGIC M2 CONV
512326035	PC BD-EMC EXPN	522326035	PC BD-EMC EXPN-REBUILT
512326156	PC BD-BWL TERM 85	232006156	PC BD-BWL TRM**NOT FOR RESALE*
520305850	CHASSIS 82-30	520315850	5850 MP CHASSIS REBUILT
520316525	REB-CONVERE 30 MPCHAS	520316526	REBUILT 82/30 MP
520701702	MOTOR F/E GE RECEPTACLE ASY	620704052	MTR-12.1 WEST.RBLT
520706207	MTR & REC ASY LH	620704042	MTR-BE.LH.WEST.RBLT
520706208	MTR & REC ASY RH	620704043	MTR-BE.RH.WEST.RBLT
520707689	MTR-COMB 115/50	070006219	&MTR-115/230-50 COMB
520707691	MTR-BE RH 115/50	070006212	MTR&REC 115/230-50 RH
520707692	MTR-BE LH 115/50	070006211	MTR&REC 115/230-50 LH
520709840	PC BD MP W/ SLOTS	070009860	82-70 SINGLE CHIP PCB
520904509	GEARBOX-FRONT END 50 H	620904509	REBUILT GEARBOX F/E 50 HZ
5222850105	IDE HARD DRIVE (WORKSTATION)	522850105	IDE HARD DRIVE (WORKSTATION)
522321060	PC BD-BOWLER TERM	522326156	PC BD-BOWLR TERM 85
522324080	MONITOR 25" ZENITH	232007425	WELLS GARDNER 25" MNTR
522325104	PWR SPLY-CWC	622320065	POWER SPLY-115V CWC
522325123	PCB, MICRO 115V	522325124	PCBD-MICROMATION REB
522328730	CAMERA - ACCUSCORE XL	522441140	ACUCAM XL U/L 0 TIMEDLY CAMERA
522328742	ASY - MONITOR 27" EYGO	522328855	MNTR-27" W/G-REBUILT

PART #	DESCRIPTION	CROSS REFERENCE PART #	CROSS REFERENCE DESCRIPTION
522328935	XL Camera Overlane	522441145	ACUCAM XL O/L 0 TIMEDLY REBLT
522441000	REBUILT PINSSENSOR	522441130	ACUCAM STDTIME DELY U/L
522441090	Camera - Overlane - C'90	522441135	ACCUCAM O/L STD TIMDLY
522441140	Camera Assy Underlane	522441165	Camera Assy Underlane
522461012	RADARAY+ CHASS-REB.	612460008	RADARAY PLUS SPARE PARTS KIT
523016526	120V-60HZ-MP CHASSIS REB	520316526	REBUILT 82/30 MP
526109076	BALL TRIGGER REBUILT	620900076	BALL TRIGGER KIT W/SPEED 3' RE
52B308798	REB PIN COUNTER-UNDER OBS XREF	030005840	8230 INFARED PIN CNTR12V
52T308798	REB PIN COUNTER-OVER -OBS XREF	030005840	8230 INFARED PIN CNTR12V
530021645	LEVER ASY-SWITCH	000021645	LEVER ASY-SWITCH
530021914	CHANNEL	000021914	CHANNEL
530022099	BELT-V PITCH LT 1133	000022099	BELT-V PITCH LT 1133
530022193	ROLLER IDLER	000022193	ROLLER IDLER
530022770	PAD CUSH SPNGE RUBBER	000022770	PAD CUSH SPNGE RUBBR
530022782	SPRING COUNTER BAL	000022782	SPRING COUNTER BAL
530022914	W/I TAG#010982	000022924	SUPPORT-BEARING
530022924	SUPPORT	000022924	SUPPORT-BEARING
530023465	SUPPORT WELDMENT	000023465	SUPPORT WLDMNT-LH MACH RH SIDE
530023650	SPRNG-LH WND RH SIDE	000023650	SPRNG-LH WND RH SIDE
530024512	SPRING	000024512	SPRING-LH
530024612	PAD-STARTER	000024612	PAD-STARTER
530024624	SEGMENT-BACK RH MACH-USED	000024624	SEGMENT-REAR RH
530024715	PLUG-HUBBELL CON	000024715	2-WIRE FEMALE CONNECT--HUBBELL
530024736	BRG .375 X .875 X .281	000024736	BRG .375X.875X.281
530024981	BRG MATCHED PAIR	000024981	BRG MATCHED PAIR
530025005	ROD END	000025005	END FITTING LH
530026043	SWITCH-MICRO	000026043	SWITCH-MICRO
530026401	SHAFT	000026401	SHAFT
530026445	PIN CURTAIN RH-LH	000026445	2 PLYPREM PIN CURTAIN
530026446	ROD END	000026446	ROD END
530026458	SHEAVE-CARPET ROLLER	000026458	SHEAVE-CARPET ROLLER
530026836	TRSFMR 115-60	000026836	TRSFMR 115-60
530027390	HOUSING	000027390	DIST DRIVE HSNQ
530027731	LAMP-PINDICATOR	000027731	LAMP-PINDICATOR
530028237	SPRING	000028237	SPRING ASSY
530029608	SHAFT-SHEAVE	000029608	SHAFT-SHEAVE
530029661	SHOCK ABSORBER-USED	000029661	SHOCK ABSORBER
530301119	CAM FOLLOWER-USED	030001119	CAM FOLLOWER
530301232	GEAR-DRIVEN ASY	030001232	DRIVE GEAR ASY
530301387	ROD-CONNECTING	030001387	ROD-CONNECTING
530301420	LINK-CUP ACTUATING	030001420	LINK-CUP ACTUATING
530302197	SHAFT DRIVE	030002197	SHAFT DRIVE
530303451	SPRING RESPOT	030003451	SPRING RESPOT
530304751	BRG .7500X1.66250	030004751	BRG .7500X1.66250
530305064	DEFLECTOR PIN 1	030005064	DEFLECTOR PIN 1
530305923	RELAY GE	030005923	POTENTIAL RELAY
530306017	W/I TAG#010960	030006017	BELT-V
530306505	BUMPER CURTAIN	030006505	BUMPER CURTAIN
530306540	TRSFMR 115 50/60	030006540	TRSFMR 115 50/60
530306732	CHANNEL-SWEEP	610700150	SWEEPBAR KIT FOR 2 MACH
530306733	SHIELD-SWEEP	610700150	SWEEPBAR KIT FOR 2 MACH
530307568	RELAY	030007568	RELAY
530308308	PIN-PIVOT FNQR-TOGLE-USED	030008309	BRKT-SHORT TRACK SUP
530308541	SEGMENT	030008541	GEAR TRAIN-SEGMENT
530308670	PULLEY	030008670	PULLEY
530308780	SHAFT-LOWER	030008780	SHAFT-LOWER
530701261	W/I TAG#010750	070011288	ROD-CURTAIN
530701840	TABLE DRIVE ASY	070001840	&TABLE DRIVE ASY
530702175	SHAFT	070002175	SHAFT
530702603	LEVER OUTER YOKE- USED	070002603	LEVER OUTER YOKE
530703162	CNECT ROD ASY MTR	070003162	CNECT ROD ASY MTR
530704042	MTR-BE.LH.WEST CORE	630704042	MOTOR BE RH WEST USED
530704043	MTR-BE.RH.WEST CORE	630704043	MOTOR BE RH WEST USED
530704052	MTR-12.1 WEST CORE	630704052	MOTOR 12.1 WST CMB USED
530705666	CIRC BREAKTEX 785478	070005666	CIRC BREAKTEX
530706048	BLT-DISTRIBUTOR	070006757	82-70 DIST BLT-BLK-SING
530706061	SHAFT-CAM SUPT-DIST.	070006061	SHAFT-CAM SUPT-DIST.

PART #	DESCRIPTION	CROSS REFERENCE PART #	CROSS REFERENCE DESCRIPTION
530706427	CAM ASY-SHUTTLE ASY	070006427	CAM ASY-SHUTTLE ASY
530706746	SHAFT-LOWER	610900709	STRT SHFT& SPCKER KIT LOWR
530706747	SHAFT UPPER	610900711	STRAIGHT SHFT&SPACER KIT UPER
530707694	MTR BE LH NTL	520707694	MTR-BE LH NTL-REBUILT
530904501	GEARBOX BERH 60HZ	630904501	USED GEARBOX BERH 60HZ
530904502	GEARBOX BELH 60HZ	630904502	USED GEARBOX BELH 60HZ
530904504	GEARBOX FRONT END 60 HZ	630904504	USED GEARBOX FRONT END 60 HZ
530904506	GEARBOX BERH 50HZ	630904506	USED GEARBOX BERH 50HZ
530904507	GEARBOX BELH 50HZ	630904507	USED GEARBOX BELH 50HZ
530904509	GEARBOX-FRONT END 50 HZ	630904509	USED GEARBOX-FRONT END 50 HZ
530933501	ELLIPTCAL REFL	093003501	ELLIPTICL REFLECTOR
532008300	Eprom Eng Lowboy	532328300	Eprom Eng Lowboy
532328742	ASY MONITOR 27" EYGO	532328855	USED MONITOR WELLS 27"
550707690	MTR-CMBO NATL AS-IS	520707690	MTR-CMB12.1*NTL-RBLT
550707693	MTR-RH BE NTL AS-IS	520707693	MTR-BE RH NTL-REBLT
550707694	MTR-LH BE NTL AS-IS	520707694	MTR-BE LH NTL-REBUILT
610003026	MAN-I&S W/CVR 6525	610003027	MAN-I&S W/CVR 6525
610007002	MAN-MASK MD4 70INST	610007003	MAN-MASK MD4 30INST
610007041	82-70 PINSPOッター CATALOG	610007044	8270 CUST.PARTS CATALOG 1999
610009001	82-90XL PINSPOッター MANUAL	610900010	XL PINSPOッター MAN. SET
610009010	MOTOR/GEARBOX REPAIR & MAINT M	610900010	XL PINSPOッター MAN. SET
610009040	8290XL CHASSIS MANUAL	610900010	82-90XL ENGLISH MANUAL SET
61000S7028	SERVICE PART 7028 MAN	610007028	MAN-PTS/SERV 70 MP
6100P7028	PARTS FOR 7028 MAN	610007028	MAN-PTS/SERV 70 MP
6100S7028	SERVICE PART PF 7028 MAN	610007028	MAN-PTS/SERV 70 MP
610700089	SHIELD-SWP LH 70 CLR	610700150	SWEEPBAR KIT FOR 2 MACH
610700099	CHANNEL-SWP 70 CLR	610700150	SWEEPBAR KIT FOR 2 MACH
610700121	SHP CRTN LT BALL SNS	610700122	LIGHT BALL SENSOR
610704019	KIT-U/L WIRE HARN.RH	070011801	HRNESS RH-C1 & C2A
610704047	TRANSISTOR REP KIT	762502034	TRNSTR-MPS 2222
610704142	KIT-RELAY+BRKT+INSTR	610704141	KIT-RELAY+BRKT+INSTR
610707713	Torque Tube Replacement Kit	610704003	TORQ TUBE+YOK CNV KT
610709802	MP CHAS LESS PC 60HZ	620709802	REBT CHASSIS-M/P 110V-50/60HZ
610709803	CHAS MP LESS BDS50HZ	070003901	MP+ CHASSIS 220V/50 Hz
610709810	BETTER BUSINESS	610709870	XOP BD W/OUT CABLE ASY
610-72-1705	LT SIDE PLATE	AMF-A1	LT SIDE PLATE
610-72-1709	DUSTR ROLR	SA8517	DUSTR ROLR
610-72-1710	LEATHER CLUTCH	PAD-12	LEATHER CLUTCH
610-72-1714	RATCHET ASSY	PAD-A4	RATCHET ASSY
610-72-1717	DUSTR BASE MTG	HSA3	DUSTR BASE MTG
610-72-1718	SPRING	A0271	SPRING
610-72-1720	1/4X 1-1/4 PIN	01564	1/4X 1-1/4 PIN
610-72-1721	THIN PHEN WASH	01161	THIN PHEN WASH
610-72-1728	7/16 WASH PLTD	01160	7/16 WASH PLTD
610900023	BALL TRIGGER INSTALLATION KIT	610900076	B/R INSTALL. KIT *3 REFLECTOR
610900033	BALL TRIGGER INSTALL KIT 3" RE	610900076	BALL TRIG KIT W/SPEED 3"REFLEC
610900034-01	use 610009034-01	610009034-01	Xtreme Install. & Main. Manual
610900220	MODEL 70 CLUTCH KIT	612700001	CLUTCH KIT 82-70
610903693	MANAGERS CONTROL INSTALLATION	610903697	MANAGERS CONTROLL INSTALLATION
610905700	MANAGER CONTROL BOX KIT 82-90	610905716	MCU BOX KIT W/RAISED KEYPAD
61100061-002	DUSTER BASE MT	HSA3	DUSTER BASE MT
61100061-005	IDLER SUPPORT	HS16	IDLER SUPPORT
61100061-010	ROLL PIN 1/8X	01489	ROLL PIN 1/8X
61100061-023	CLEV. PIN 3/8	01166	CLEV. PIN 3/8
61100065-000	CMPND HING HOUSE	LK9	CMPND HING HOUSE
61100072-000	BRACKET	LK16	BRACKET
61100073-000	SOLENOID LINK	LK17	SOLENOID LINK
61100079-000	HINGE SPACER	LK23	HINGE SPACER
61100081-000	BEARING	LK25	BEARING
61100082-000	BEARING	LK26	BEARING
61100099-000	SPRING	LK58	SPRING
61100111-000	STUD	LK289	STUD
61100112-000	CRANK ARM	LK290	CRANK ARM
61100116-000	BRACKET	LK339	BRACKET
61100138-000	LT SIDE FRAME	LKA204	LT SIDE FRAME
61100139-000	RT SIDE FRAME	LKA205	RT SIDE FRAME
61100142-000	LTHD ANG BRAC	LKA218	LTHD ANG BRAC

PART #	DESCRIPTION	CROSS REFERENCE PART #	CROSS REFERENCE DESCRIPTION
61100150-000	LK CB COIN	LKSA22	LK CB COIN
61100151-000	OUTER HOLDER	LKSA23	OUTER HOLDER
61100159-001	WELD STUD 3/8	01492	WELD STUD 3/8
61100188-000	EDGE CONNECTOR	02463	EDGE CONNECTOR
61100213-000	THRUST WASHER	03410	THRUST WASHER
61100215-000	SEE 04-005 GROMMET 1/2	04005	SEE 04-005 GROMMET 1/2
61100218-000	DOOR HANDLE	04475	DOOR HANDLE
61100220-000	RUBBER BUMPER	04484	RUBBER BUMPER
61100221-000	LOCK-CHICAGO	04485	LOCK-CHICAGO
61100222-000	SPACER	04493	SPACER
612081017	KIT-SPRNG MTG INST	208111254	SPRING MOUNTING ASY
612320712	KEYBOARD REPLACEMENT AS+	612320812	KIT-KEYBD REPL ASC+
612320980	MNTR CNTRL PCB - C'90 ASSY.	232008080	CIRCUIT BD
612320981	PC BD-BWLR TERM	232007110	PC BD-BWLR TERM
61232146101	Banner, Xtreme Bowling "Glow i	612321461-01	BANNER, XTREME BOWLING "GLOW I
612362067	PCBD-STK/FL ELEC	612362068	PCBD STK/FL WITH REGULATOR
612457503		610457503	BALL DRILLER 50HZ 2500
612457512	SPECTRUM BALL DRILL KIT-	610457512	BALL DRILLER 60HZ-EXPANDED KIT
612457513	SPECTRUM BALL DRILL KIT-	610457513	BALL DRILLER 50HZ-EXPANDED KIT
612460002	RADARAY PLUS	612460010	RADARAY PLUS UNIVERSAL
612460030	RADARAY PLUS (Domestic Only)	612460010	RADARAY PLUS UNIVERSAL
612480008	KIT - TABLE MOUNT NEW	280000017	KIT-SETTEE TABLE
612850100	Manual Client Server V.6 Engli	612321487-01	MANUAL C/S USERS ENGLISH V.8
61860135-006	OIL TK FELT	B022820	OIL TK FELT
620457502	BALL DRILL MACH	610457502	BALL DRILLER 60 HZ 2500
620460008	RADARAY PLUS SPARE PARTS KIT -	612460008	RADARAY PLUS SPARE PARTS KIT
620704042	MOTOR BACKEND LH 60CY	610704042	MTR&REC LH BE 110/60
620704043	MOTOR BACKEND RH 60CY	610704043	&MTR&REC RH BE 110/60
620704052	MOTOR COMBO 60CY	610704052	MTR115/60 WESTCOMB*Q.A.
620704053	MTR-14.5 WEST.-REBUILT	620704052	MTR-12.1 WEST.RBLT
650704042	MTR-BE LH WEST AS-IS	620704042	MTR-BE.LH.WEST.RBLT
650704043	MTR-BE RH WEST AS-IS	620704043	MTR-BE.RH.WEST.RBLT
650704052	MTR-12.1 WEST AS-IS	620704052	MTR-12.1 WEST.RBLT
701021009	MORITOR BEARING, OPE	701021010	BRG BL .6693X1.5748
701212001	BRG-NEEDLE ROLLER	030007259	BRG TH SET OF FOUR
701408051	BRG FL.253X.377X3/32	030001506	BRKT ASY-TABLE TRACK
701524080	BRG SL.753X1X1*LG	900112161	BRG SL .753X1*LG
702508003	BELT FLAT 1/8X2 3/4	070006757	82-70 DIST BLT-BLK-SING
702508004	BLT-FLAT1/8X3 1/2	030005677	82-30 DIST BLT-NITRILE
702508023	ROLL-8270 BK DIST BELT	610709811	82-70 DB W/LACES BLK-R
702508025	BELT	070006757	BELT-DISTRIBUTOR
710502011	GREASE FITTING	710501013	GREASE FITTING
715010400	LUBE-B.GARD-2 BULK	715010307	LUBE-SOHIO*2 1LB
715010407	LUBE-SOHIO*78 1LB-OBSOLETE SEE	715010307	LUBE-SOHIO*2 1LB
715010507	LUBE-SOHITRAN*2 1LB	715010307	LUBE-SOHIO*2 1LB
715021000	LUBE-OIL 80 BULK	715021006	LUBE-WAY OIL-SAE 80
715021716	LUBE OIL - MOBIL 600W - QUART	715021706	OIL 82-90 MTR*12QTS TO A CASE*
716501013	SEAL-OIL OP SHAFT	716503020	SEAL-OIL WEST*472164
716504018	PIRAL GEAR SEAL	716503022	SEAL-OIL DIST SHAFT
721501020	RUBBER MOUNT	000029068	RUBBER MOUNT
721502022	BUSHING-RUBBER MONROE SHOCK	721502005	BSH NG - RUBR MONRO SHK
721505022	BUSHING-RUBBER MONROE SHOCK	721502005	BSH NG - RUBR MONRO SHK
724518129	NUT CLIP-8-32	724511006	TIN-NUT-SPD.C814-832
730020012	ROD & CLIP ASSY 7/8 SHF	070002814	LINK ASY
730021013	ROD&CLIP ASY5 5/16LG	070002813	RESPOT LINK
730025017	SPRAYER-AMLOW COMP	730025000	HANDY SPRAYER
730063088	BREATHER PLUG	785501040	PLUG-BREATHR GE&WEST
743000017	CPTR-270-324MFD110AC	743000015	CPTR-270-300MFD CSP/270
751001524	LAMP FIXTURE 115/60	000021652	PIT LIGHT ASY 120/60
755520068	RELAY 1.5 A	755520071	RELAY 1.5A CRYDOM
755525034	RELAY CNTCTS-SEMALS	070011755	RELAY 50/60HZ
760003069	TERM-CONNECTOR-ELCO	760003110	TERM CONN (REEL)
760006042	TERM-FLAG-AMP 41532	760006195	TERM FLG.250X.032 LP
760015056	TERM-SPDE AMP60476-2	760016161	TERM-760015056LSE PC
760017034	TERM-STRAIT AMP41211	760017036	TERM-STRAIT AMP41729
760017035	TERM-STRAIT AMP41274	760017036	TERM-STRAIT AMP41729
760017045	TERM STR-AMP60878-2LOOSE PIECE	760017044	TERM STR-AMP41772 RL

PART #	DESCRIPTION	CROSS REFERENCE PART #	CROSS REFERENCE DESCRIPTION
762007007	TRSFMR MPU 115/60	762011011	TRSFMR 115/230 50/60
770013013	STRAP-PNDUIT SST-2-B	770011029	TYRAP-7.31 INCH LG
770046164	PWR SPLY-5V 8AMP MAX	770046209	PWR SUPPLY-5V 8AMP MAX
770247	MAG CNTRL BOX 8.0 SFT	780247	MAG CNTRL BOX
770250	SPEED CONTROL BOX, 110V	780250	SPED CNTL 110
770260	SPEED CONTROL BOX, 220	780260	SPED CNTR 220
78002	CARCASS, PC CONTROL BOX	781187	CARCASS, PC CONTROL BOX
780247-7	REBUILD MAG CNTRL BOX 7.7 SOFT	780247	REBUILT MAG CNTRL BOX 8.0 SOFT
781131	RECON CRTL BOX	80090	RECON CRTL BOX
785501038	PLUG-BREATHR 30 COMB GE	785501040	PLUG-BREATHR GE&WEST
785501048	CAGE PLANTRY GEAR 70	785501587	CAGE PLANTRY GEAR 70
785501136	PLANET GEAR	785531136	PLANET GEAR
785501137	GEAR	785501134	&GEAR-PLANET
785501147	GEAR BACKEND GE	785501434	WORM-WHEEL70 BE WEST
785501192	CENT MECH	785501193	CENT MECH
785501194	CNTRF-MECH30&70BE GE	610309046	NATL.COMBO MTR.S/S SWTH
785501208	PLATE-ADPTR 70BE WST	000025590	RECEPTACLE HOUSING
785501306	SHIM-INBD WH-BRG 70	785501308	SHIM-SET IB WHEL BRG 50&60 CY
785501315	SHIM-SET.003-5-7-10 SEE NOTE	785501312	SHIM-WHL CAP70CMB GE 50&60CY
785501375	SWTCH-CENT30&70BE GE	610309046	NATL.COMBO MTR.S/S SWTH
785501377	SWTCH-ROTN70BE WEST	610309046	NATL.COMBO MTR.S/S SWTH
785501378	SWTCH-ROTN70CB WEST	785501568	GOVNR-COMBO No:1020B05A01
785501450	BRG SL .5015X.752	785501653	BUSHING, CAGE
785501457	SHIM-WHL CAP.007	785501312	SHIM-WHL CAP70CMB GE 50&60CY
785501462	SHIM.003IB WRM 30 GE	785501305	SHIM SET-IB WORM GE 50&60 CY
785501463	SHIM-INBD WORM .005	785501305	SHIM SET-IB WORM GE 50&60 CY
785501464	SHIM.007IB WRM 30 GE	785501305	SHIM SET-IB WORM GE 50&60 CY
785501465	SHIM.010IB WRM 30	785501305	SHIM SET-IB WORM GE 50&60 CY
785501466	SHIM.003WHL CAP COMB	785501312	SHIM-WHL CAP70CMB GE 50&60CY
785501467	SHIM.005WHL CAP COMB	785501312	SHIM-WHL CAP70CMB GE 50&60CY
785501468	SHIM.010WHL CAP COMB	785501312	SHIM-WHL CAP70CMB GE 50&60CY
785501495	WORM WHEEL GE	785501435	WORM-WHEEL70CMB WEST
785501520	CENT SW WEST BE 50HZ	610309042	NATL.COMBO MTR.S/S SWTH
785501521	CENT MECH WST BE50HZ	610309042	NATL.COMBO MTR.S/S SWTH
785501550	STATOR-50HZ OLD	070007873	MTR 115/230 50 WEST
785501561	GVRNR-70WEST MTR50HZ	610309042	NATL.COMBO MTR.S/S SWTH
785501562	SW CENT70WES MTR50HZ	610309042	NATL.COMBO MTR.S/S SWTH
785501563	BOLT THRU-WES BE MTR	785501022	BLT-THRU 70 BE WEST
785501569	GOVENOR - COMBO 50 CYCLE	785501531	SWITCH ROTATING 50 CY
785501598	OVERLOAD-NTL RPLCMT MTR	090003630	OVERLOAD PROTECT C-90 MTRS
785501604	SOLID STATE SWITCH	090004560	START SWITCH 60Hz
785501626	SHIM-BE MTR .010 THK	785501309	SHIM-SET OB WHEL BRG
785501628	SHIM-WHEEL BRG .001	785501309	SHIM-SET OB WHEL BRG
785501642	SHIM-OB WHEL BRG .015	785501310	SHIM-SET OB WHEL BRG 50 & 60CY
785501644	GSKT-BRG HSG .015	785501106	GSKT-70 BE GE&WEST 50&60HZ
785501645	GSKT-BRG HSG .032	785501106	GSKT-70 BE GE&WEST 50&60HZ
785501646	SHIM-IB WHL BRG .001	785501308	SHIM-SET IB WHEL BRG 50&60 CY
785501647	SHIM-IB WHL BRG .002	785501308	SHIM-SET IB WHEL BRG 50&60 CY
785501648	SHIM-IB WHL BRG .005	785501308	SHIM-SET IB WHEL BRG 50&60 CY
785501650	GSKT-BRG CAP .015 BE	785501108	GSKT-DST CAP GE&WEST 50&60HZ
785501651	GSKT-BRG CAP .032 BE	785501108	GSKT-DST CAP GE&WEST 50&60HZ
785501659	SPACER-SPRNG MTR	785501350	SPRNG-FNGR70CMB WEST
785501664	SWTCH - CENT 115/60	610309046	NATL.COMBO MTR.S/S SWTH
785501665	CENT MECH - 115160	610309046	NATL.COMBO MTR.S/S SWTH
785501669	SHIM-.001WRM SHF BRG	785501314	SHIM SET; WORM SHAFT BRG
785501670	SHIM-.005WRM SHF BRG	785501314	SHIM SET; WORM SHAFT BRG
785502011	BEARING (NAT. COMBO)	000024590	BRG .7874 X 1.8504
785502012	BEARING (NAT. COMBO)	701021010	BRG BL .6693X1.5748
785502029	RETANERRINGS100100NATLMTR	919006100	SNAP RING-EXTERNAL
785502031	WORM SHAFT COMB	785532031	WORM SHAFT-USED
785502056	BEARING	701077015	BRG BL 1.7717X2.9528
785502102	BRG-6303 SKF	701021013	BRG BL .6693X1.8504
785502118	GEAR	785532118	GEAR LH
785502143	COTTER PIN	911011122	PIN COTTER 5/64X3/4
785502146	BRG-6203 SKF	701021008	BRG BL .6693X1.5748
785502190	SWITCH-CENTRIFUGAL	610309042	NATL.COMBO MTR.S/S SWTH
785502191	CENTRIFUGAL MECH	610309042	NATL.COMBO MTR.S/S SWTH

PART #	DESCRIPTION	CROSS REFERENCE PART #	CROSS REFERENCE DESCRIPTION
785502192	SWITCH-CENTRIFUGAL	610309042	SWITCH-CENTRIFUGAL
785502193	CENT. MECHANISM	610309042	NATL.COMBO MTR.S/S SWTH
785502244	NATLBEMTRLH/RH50HZ	785502258	NATL BE LH/RH 50HZ
785502245	NATLBEMTRLH/RH60HZ	785502259	NATL BE LH/RH MTR 60HZ
785502246	NATL RPLCMTMTR COMBO 50	785502260	NATL REPLACE COMBO MTR 50HZ
785503030	WORM INTG 6/1 (60HZ)	610900090	B/END WORM GEAR RPLMT KIT 60HZ
785521075	REWOUND STATOR-WEST.	070007829	MTR-COMBO 120/60
785521076	REWONDSTATOR WESTB.E.	070007872	MTR-NO GERBOX 115/60
785532056	BEARING	701077015	BRG BL 1.7717X2.9528
785532093	RECEPT	000025906	RECEPTACLE-MALE B.E.
792009010	CRIMPING TOOL	792512019	Crimp Tool Milbar#25
80036	DUST CLOTH	294008443	DUST CLOTH
80062	REPLACE KIT	80074	REPLACE KIT
80088	VJ PROSCALE UPGRADE KIT, 220V	80017	PROSCALE UPDATE KIT
80101	SB UP KIT	294080125	SB UP KIT
801262032	7/16X1.0 CARRIAGE BOLT	801369161	CARRIAGE BOLT 7/16X 1 GRADE 5
806249160	SCREW STSQ 1/4-20 X 1	806749160	SCR SQHD SET1/4-20X1
807365060	SCR-STSO3/8-16X3/8KN	807265060	SCR-STSO3/8-16X3/8CP
808849365	SCR.FSHC1/4-20X2 1/4	808849565	SCR-SOFL 1/4-20 X 3 1/2
808857120	SCR-SOFL 5/16-18X3/4	808557120	SCR-SOFL 5/16-18X3/4
809149165	Bolt Hex	809849165	SCR-HX 1/4-20X1
809965645	SCR-HHC 3/8-16X4	809865645	SCR-HX 3/8-16X4
810257120	SCR-SOC 5/16-18X3/4	610309013	KIT-HINGE REPAIR
812633102	SCR-RDHD+ 8-32X5/8	818233122	SCR-SMRD+ 8-32X3/4
813333102	8-32X5/8 SLT PN HD SCREW,PLTD	818233122	SCR-SMRD+ 8-32X3/4
813949082	SCREW - HEX HD MCH 1/4 - 20 X	809849085	SCR-HX 1/4-20X1/2
818227042	SCR-SMRD+ 6-32X1/4	818627042	SCR-SMRD= 6-32X1/4
818233062	SCR-SMRD+ 8-32X3/8	818233062	SCR-SMRD+ 8-32X3/8
834540002	NUT-HEX 10-32 CD	835540002	NUT-HX-JAM 10-32 CD
881840102	SCR-TMPRST 10-32x5/8(3/4 BY DE	808340101	SCR-BUTTON SOC HD 10-32 X 5/8
895000001	NUT-LK N 10	845100000	NUT-LK-BRG N-10
907201000	1875 X 1.25 SQ. KEY	907201200	KEY-SQ-3/16X2 1/4 LG
937738003	RVT-DRVE STL UNV HD	937710005	ALUMINUM DRIVE RIVET
938523050	RVT OPN END POP 1/8 .251 X .31	000026852	GEAR ASY
940276000	TBNG-VNYL 9 / 16 DIA	940372000	SLEEVING-EXP 1/2 DIA
948767135	WSHR-FL.406X.734 BLK	948767132	WSHR13/32X13/16X1/16
952937060	WASHER-SPRING	070006386	TRACK ASSY L H
954564138	WSHR THRUST .375X.812X.063	030007259	BRG TH SET OF FOUR
954664138	WSHR THRUST .375X.812X.095	030007259	BRG TH SET OF FOUR
957600002	1/4 EXT LOCK WASHER	01053	1/4 EXT LOCK WASHER
995000002	BRG SL .628X1"LG	900110161	BRG SL .628X1" LG
995000003	BRG SL .628X.878X1/2	900110081	BRG SL .628X.878X1/2
995000004	BRG SL .628X.878X7/8	900110141	BRG SL .628X.878X7/8
A0023	NYLON GUIDE	SA1005	NYLON GUIDE
A0029	GUIDE ROLLER	SA1006	GUIDE ROLLER
A0037-1	DR SHAFT SPAC	A00371	DR SHAFT SPAC
A0041-1	BEAR LOCK COL	A00411	BEAR LOCK COL
A0112	SPRING S/ARM	SA1186	SPRING S/ARM
A0127	BK MOD 110	RP197	BK MOD 110
A0178	GEAR MODIF	SA1060	GEAR MODIF
A0182	DUST ADJ BOLT	A8217	DUST ADJ BOLT
A0186	LEATHER CLUTCH	PAD-12	LEATHER CLUTCH
A0402	IOL TANK LINKG	A0885	IOL TANK LINKG
A0438	WHEEL,COATED	SA1205	WHEEL,COATED
A0439	HUB WHEEL	A0438	HUB WHEEL
A0440	AXLE,CNTR WHL	A00371	AXLE,CNTR WHL
A0441	MNT CNTR WHL	SA1205	MNT CNTR WHL
A0532-BLACK	BLACK CAM	A0364	BLACK CAM
A0532-GREEN	GREEN CAM	A0362	GREEN CAM
A0532-RED	RED CAM	A0365	RED CAM
A0557	BRAKE PAD	RP197	BRAKE PAD
A0573	DUSTER STOP	A8218	DUSTER STOP
A0658	SCR HEATSINK	SA1121	SCR HEATSINK
A0849	DIE SPRING PLUNGER,STD	SA2019	DIE SPRING PIN ASS'Y
A0913	WHEEL, GUIDE	SA0224	WHEEL, GUIDE
A0946	AL PUSH ROD	294110946	AL PUSH ROD
A0947	LANE EDGE M	294110947	LANE EDGE M

PART #	DESCRIPTION	CROSS REFERENCE PART #	CROSS REFERENCE DESCRIPTION
A0961	VERT SENSOR BASE MODIF., 220V	A0724	SENSOR BASE MODIFICATION
A0977	DECAL,PRICE CHG SHEET,CENTURY	B0977	DECAL,PRICE CHG SHEET,CENTURY
A0993	OR A-0995 DRV	A0994	OR A-0995 DRV
A0999	CATCH ARM	294002027	CATCH ARM, HVO
A1042	3/16 HEADLESS	04084	3/16 HEADLESS
A2013	VAC MOTOR MOU	SA2004	VAC MOTOR MOU
A2014	VAC MT PIV SH	SA2004	VAC MT PIV SH
A2051	DIE SPRING PN	SA2019	DIE SPRING PN
A2052	DIE SPG PIN C	SA2019	DIE SPG PIN C
A4040	PRESS LINK PIN	SA1106	PRESS LINK PIN
A5017	SOLV TNK TUBE	04036	SOLV TNK TUBE
A5044	OIL TANK	SA5044	OIL TANK
A5046	VALVE	04034	VALVE
A5564	ADJUST SCREW	SA9041	ADJUST SCREW
A8222	LINK ARM	80110	LINK ARM
A8237	LANE TOWEL	294118237	LANE TOWEL
A8293	SDE BLOCK LINK	80110	SDE BLOCK LINK
B0040-L	DRIVE WHEEL LT	A0994	DRIVE WHEEL LT
B0065	S/S ROLLER S	A0296	S/S ROLLER
B0133	DR GEAR MOD	SA6011	DR GEAR MOD
B0135	BRK SOL,MT,PLT	RP197	BRK SOL,MT,PLT
B0185	SUP CLOTH ROL	A5552	SUP CLOTH ROL
B0187	TUBE COLLAR	SA1060	TUBE COLLAR
B0228-20	OIL TNK FELT	B022820	OIL TNK FELT
B0228-28	OIL TNK FELT	B022828	OIL TNK FELT
B0228-36	OIL TAK FELT	B022836	OIL TAK FELT
B0481	RISER CHANNEL	B0733	RISER CHANNEL
B0523	MTG PLATE	RP86	MTG PLATE
B0538-L	PHEN RLLR DR	B0538L	PHEN RLLR DR
B0538-R	PHEN RLLR DR	B0538R	PHEN RLLR DR
B0585-L	PIVOT CAST	B0585L	PIVOT CAST
B0585-R	PIVOT CAST	B0585R	PIVOT CAST
B0605	CN REPL BRACKET	RP86	CN REPL BRACKET
B5543	DRIP FELT	A0031	DRIP FELT
B8233	SOLVENT TRAY	SA0256	SOLVENT TRAY
B8338	DRIVE SHAFT	A0705	DRIVE SHAFT
BDA6	IDLER ASSY	PAD-A6	IDLER ASSY
BDA7	OSTR CLTH DRIVE TBE	SA1062	OSTR CLTH DRIVE TBE
BP97	BUFF COMPOUND	BP122	BUFF COMPOUND
FN0195	PROGRAM RECORDS, 6.0 AND UP	FM0195	PROGRAM RECORDS, 6.0 AND UP
HSA6	DUSTER CLTH DRVE TBE	SA1062	DUSTER CLTH DRVE TBE
HSA9	FRAME WELD N/PT	HSA1	FRAME WELD N/PT
LK12	SPRING COLLAR	A0741	SPRING COLLAR
LK24	(NCP)CLUTCH PAD	A0740	(NCP)CLUTCH PAD
LK263-1	OSCILLATOR ARM-CASTING	A0466	OSCILLATOR ARM-CASTING
LK268-1	HUB CASTING	A0739	HUB CASTING
LK290-1	CRANK ARM CAST	B0465	CRANK ARM CAST
LK315	OSC BUMPER SPA	LK244	OSC BUMPER SPA
LK321-1	BGR. CASTING	B0472	BGR.CASTING
LK90-1	PLLY NO BROACH	LK90	PLLY NO BROACH
LKA202	LOWER BAFFLE W	LK224	LOWER BAFFLE W
LKA206	BAFFLE WELMT	LK234	BAFFLE WELMT
LKA210	UPPER BAFFLE W	LK277	UPPER BAFFLE W
PAD-2	IDLER	PAD-A6	IDLER
PAD-A2	DSTR DRV ASSY	SA1062	DSTR DRV ASSY
PK0136	SET, PAD	PK0135	SET, PAD
PK0168	TAPE	294004057	TAPE
RP170	GP PROG PAD	FM0001	GP PROG PAD
RP171	SB PROG PAD	FM0002	SB PROG PAD
RP180	SILVER BULLET PROGRAM GUIDE	FM0005	SILVER BULLET PROGRAM GUIDE
RP188	CEN PC REC PD	FM0011	CEN PC REC PD
RP189	SEE FM-0014 CEN PC INST	FM0014	SEE FM-0014 CEN PC INST
RP19	NAR GID SET SEE SA-1005	SA1005	NAR GID SET SEE SA-1005
RP195	10 TO 10 BUFFER TUBE COVER	294002302	10-10 Buffer Tube Mohair Cover
RP208	7-7 BUFFER TUBE COVER ASSEMBLY	294002301	7-7 Buffer Tube Mohair Cover
RP21	CAST WHEEL	04171	CAST WHEEL
RP30	STP NAR SET	SA1006	STP NAR SET

PART #	DESCRIPTION	CROSS REFERENCE PART #	CROSS REFERENCE DESCRIPTION
RP43-1	ALUM PLATE	RP43	ALUM PLATE
RP43-3	TENSION SPRG	RP43	TENSION SPRG
RP49-2	PART MAN ONLY	RP49-1	PART MAN ONLY
RP59-6	OIL TK RPR KT	FM0013	OIL TK RPR KT
RP62	HANDLE KIT	RP87	HANDLE KIT
RP62-5	START EXT	RP62-A1	START EXT
RP62-7	BRAK PLATE	RP62-A1	BRAK PLATE
RP62-8	LOCK STUD	RP62-A1	LOCK STUD
RP69	SP OIL TNK	SA1064-36	SP OIL TNK
RP72-1	PLASTIC GAGE	RP72A1	PLASTIC GAGE
RP72-2	ALUM GAUGE PT	RP72A1	ALUM GAUGE PT
RP72-A1	GAUGE	RP72A1	GAUGE
RP73-1	PLASTIC GAGE	RP72A1	PLASTIC GAGE
RP75	HANDLE KIT	RP87	HANDLE KIT
RP95	VLS FEMALE REC	RP193	VLS FEMALE REC
SA0037	GFCI END 110	SA6012	GFCI END 110
SA0068	POWER CORD	02589	POWER CORD
SA0114	CH RELAY 110V	80085	CH RELAY 110V
SA0123	CONET BDY 110	SA1107	CONET BDY 110
SA0124	CONNECT BODY	SA6012	CONNECT BODY
SA0157	HEAD,VAC WELD	SA0150	HEAD,VAC WELD
SA0165	CLEAN TANK AS	SA0263	CLEAN TANK AS
SA0188	VIDEO BD CONFI	80115	VIDEO BD CONFI
SA0206	POWER CRD 110	SA2067	POWER CRD 110
SA0207	POWER CRD 220	SA2068	POWER CRD 220
SA0239	TANK PLUG ASS'	A0251	TANK PLUG ASS'
SA0240	DIP STICK LG	SA6525	DIP STICK LG
SA0241	DIPSTICK,LG	SA0213	DIPSTICK,LG
SA0266	TRAY MT ASS'Y	SA0322	TRAY MT ASS'Y
SA0267	TRAY MT ASS L	SA0323	TRAY MT ASS L
SA1017	SOLENIOD MTG	02002	SOLENIOD MTG
SA1022	ROLLER ASSY	SA0296	ROLLER ASSY
SA1023-L	ROLLER SUPORT	SA1023L	ROLLER SUPORT
SA1023-R	ROLLER SUPT	SA1023R	ROLLER SUPT
SA1036-2	DR MTR BRAKE	SA10362	DR MTR BRAKE
SA1079	BUFF DR ASSY	SA1103	BUFF DR ASSY
SA1082	BUFF MOT DR	SA1103	BUFF MOT DR
SA10886	OIL TNK WICK	SA108836	OIL TNK WICK
SA10888	OIL TNK WICK	SA108828	OIL TNK WICK
SA10976	OIL TNK WELD	SA109736	OIL TNK WELD
SA10978	OIL TNK WELD	SA109728	OIL TNK WELD
SA1120	METAL CORE ASY	80024	METAL CORE ASY
SA1131	CONTROL BOX GP	80090	CONTROL BOX GP
SA1157	DR.MTR, S/B	SA1214	DR.MTR, S/B
SA1158	DRV MTR 220SB	SA1215	DRV MTR 220SB
SA1172	SB CONTROL BOX	781172	RECONDITIONED SB CONTROL BOX
SA1177	TRANSFER ROLLER DRIVE ASSY	294002070	TRANSFER ROLLER DRIVE ASSY
SA1183C	7,3,10,10,3,7 TANK REPL KIT	80035C	7,3,10,10,3,7 TANK REPL KIT
SA1183D	7,5,8,8,5,7 TANK REPL KIT	80035D	7,5,8,8,5,7 TANK REPL KIT
SA1184D	7,5,8,8,5,7 OIL TANK REPL KIT	80035D	7,5,8,8,5,7 OIL TANK REPL KIT
SA1203	WHEEL, COATED	A0438	WHEEL, COATED
SA1204	FORK ASSEMBLY	SA1205	FORK ASSEMBLY
SA1212	HANDLE ASSY, PC & MAGNUM	294002088	HANDLE ASSY, HVO SUMMIT
SA1225	BLOCK ASS'Y	03004	BLOCK ASS'Y
SA1228	BLK BRG ASS'Y	03004	BLK BRG ASS'Y
SA3001	DRIVE MOT ASS	SA3035	DRIVE MOT ASS
SA3016	BUF IDLER ASSY	RP145	BUF IDLER ASSY
SA3018	BUFFER TUBE COVER ASSEMBLY	RP110	LDD BUFFER TUBE COVER ASSEMBLY
SA3023-L	PHEN ROLL ASS	SA3023L	PHEN ROLL ASS
SA3023-R	PHEN ROLL ASS	SA3023R	PHEN ROLL ASS
SA3029	POWER CORD	SA6012	POWER CORD
SA3031	BRK REPL.KIT	RP197	BRK REPL.KIT
SA3032	100 BFFR MTR PREWIRD 115V50/60	RP107	100 BFFR MTR PREWIRD 115V50/60
SA3033	DR MOTOR ASSY	SA3035	DR MOTOR ASSY
SA3034	BUFF MOT ASSY	SA3036	BUFF MOT ASSY
SA31378	OIL TNK WEL	SA313728	OIL TNK WEL
SA31380	ASSY 20" FLT	SA313820	ASSY 20" FLT

PART #	DESCRIPTION	CROSS REFERENCE PART #	CROSS REFERENCE DESCRIPTION
SA31388	OIL TNK ASSY	SA313828	OIL TNK ASSY
SA4504-110	CHRGING UNIT ASSY, 110V TO 12V	SA4504	CHRGING UNIT ASSY, 110V TO 12V
SA6516-R	IDLER ASSY	SA6516R	IDLER ASSY
SA6522	SPR LOAD BLK	SA9041	SPR LOAD BLK
SA8512	TRAY MT ASSY LT	SA8540	TRAY MT ASSY LT
SA8514	SOLVENT TRAY	SA0256	SOLVENT TRAY
SA9017-1	CORD ARM ASSY	SA9017	CORD ARM ASSY
SA9027	CLEAN TANK	SA9042	CLEAN TANK
SA9029	VAC HD WELDMT	SA9032	VAC HD WELDMT
SA9036	VAC HD SD ASS	SA0321	VAC HD SD ASS
SA9037	AVLS BK SOL	RP197	AVLS BK SOL
SA9039	SOLVENT TRAY	SA0256	SOLVENT TRAY
SC9	SHAFT	SC69	SHAFT
SCA20	DR.BRG.ASS'Y	SA0024	DR.BRG.ASS'Y
SCA21	IDLER WELD	SA0021	IDLER WELD
SCA22	IDLER ASS'Y	SA0023	IDLER ASS'Y
SV104	VAC FITTING MO	04151	VAC FITTING MO
SV48	DRIP CTCH FELT	SV74	DRIP CTCH FELT
SV55	PIVOT BOLT	SV105	PIVOT BOLT
SV67	VALVE NUT	02204	VALVE NUT
SV78	MOLDED BASE	SV78-1	MOLDED BASE
SV79	SWASTE TANK	SV79-1	SWASTE TANK
SV80	CLEANER TANK	SV80-1	CLEANER TANK
SV97	TOWER-GREEN	SVA34	TOWER-GREEN
SV99	SCREEN CAP	SVA34	SCREEN CAP
SVA14	TER BLK ASSY	SVA42	TER BLK ASSY
SVA23	HANDLE ASSY	SVA44	HANDLE ASSY
SVA26-1	GRN WASTE TANK	SVA50	GRN WASTE TANK
SVA27-1	VLS CLEAN TANK ASSY, CEN GREEN	SVA51	VLS & WIRE REPLACEMENT KIT
SVA35	SEE RP 193	RP193	SEE RP-193 MALE VLS



REPAIR/EXCHANGE

PROGRAM



NEW PART #	DESCRIPTION	REBUILD PART #
218003157	PC Board Time Delay	522183157
231001033	Printed Circuit Board - CPU	522311033
231001034	Printed Circuit Board - Lane A	522311034
231001035	Printed Circuit Board - Lane C	522311035
231001037	Printed Circuit Board - Power	522311037
231001120	LIU Without Boards	522311120
231001154	SIU Box-RS 485	522311154
232004080	Monitor 25" Zenith	522324080
232005045	PC Board - MPU Videograph	522325045
232005055	PC Board - EMC	522325055
232005085	PC Board - Logic M2 Conv.	522325085
232006156	PC Board Bowler Terminal 85	522326156
232007110	Bowler Terminal PC Board	522327110
232007150	CWC - AccuScore Plus 115V 50/60Hz	522327150
232007265	Eprom Module English Program	522327265
232007320	27" Zenith Color Monitor	522327320
232007350	CWC - AccuScore Plus 115V/230V	522327350
232007425	25" Wells Gardner Monitor	522327425
232007500B	CWC A/S+ 115V/230V (Black)	522327500B
232007500	CWC A/S+ 115V/230V (Red)	522327500R
232008056	27" Wells Monitor NTSC	522328056
232008057	27" Wells Monitor NTSC/RGB	522328057
232008080	Monitor Control Board	522328080
232008295	Video Split Chassis	522328295
232008300	Eprom Lowboy	522328300
232008421	Monitor	522328421
232008518	27" Wells Gardner C-90 Monitor	522328518
232008527	Assembly - Eprom Forty Frame Game	522328527
232008546	EPROM,ASSY,DUALFORTY FRAME	522328546
232008636	25" Wells Gardner Monitor	522328636
232008680	Bowler Terminal Board	522328680
232008703	14" Wells Gardner Monitor	522328703
232008725	Machine Interface Unit	522328725
232008760	XL CPU AccuDesk	522328760
232008780	PC Board, AC BOX	522328780
232008840	XL CPU w/out Tuner (K-Byte)	522328840
232008845	XL CPU w/8755 Tuner (K-Byte)	522328845
232008855	Monitor 27" Wells Gardener	522328855
232008874	Monitor SVGA Color 13"/14" use 522850005	522328874
232008885	Control Desk Interface	522328885
232009060	XL CPU w/out Tuner (K-Byte) UL	522329060
232009151	Keyboard - Advantage Pentium	522329151
232009165	Tape / Floppy Drive	522329165
232009200	Final Assembly Controller w/ FA	522329200
232009290	XL CPU w/out Tuner (Radisys)	522329290
232009320	Boss CPU w/out Tuner	522329320
232009325	Boss CPU W/9051 Tuner (Radisys)	522329325-051
233001000	Array Strip - Accusonic	522331000
233001535	PC BD Accusonic	522331535
238001325	Eprom ENG/ACC	522381325
238001335	AccuDesk Interface Box	522381335
244001125	Camera Underlane Standard Time Delay	522441125
244001130	Camera Underlane Standard Time Delay	522441130
244001135	Camera Overlane Standard Time Delay	522441135
244001140	Camera Underlane Zero Time Delay	522441140
244001145	Camera Overlane Zero Time Delay	522441145
244001150	Camera Underlane Zero Time Delay	522441150
244001155	Camera Overlane Zero Time Delay W/O Hood	522441155
244001165	Camera Underlane Zero Time Delay	522441165
244001170	Camera Overlane Zero Time Delay	522441170
249001005	Intercom Call Master NEM10A	522491005
249001007	Intercom Call Master NEM30A	522491007
250001014	Control Box	522501014
285000005	Monitor SVGA 14"	522850005
285000006	Monitor Touch Screen 14"	522850006
285000007	Lexmark Laser Ticket Printer 115V	522850007
285000008	Lexmark Laser Ticket Printer 230V	522850008
285000009	Lexmark Laser Printer 115V	522850009
285000011	Receipt Printer	522850011
285000019	Keyboard Assembly, Programmable	522850019

NEW PART #	DESCRIPTION	REBUILD PART #
285000042	Cash Drawer International	522850042
285000043	Pole Display Compact	522850043
286001011	14" Monitor Boss	522861011
286001038	Monitor 27" Boss Scoring	522861038
286001039	Monitor 34" Boss Scoring	522861039
286001050	PCB Bowler Terminal	522861050
286001060	Camera Board	522861060
290001018	RS 485 Advantage Quad Tech Bd.	522901018
290001125	Home Run RS422 Chassis 115V	522901125
290002024	Keyboard 101/102 Enhanced A/T	522902024
290003022	Ithaca Receipt Printer - Journal 115V	522903022
290003023	Ithaca Receipt Printer - Journal 230V	522903023
290003032	Okidata Ticket Printer 115V	522903032
290003033	Okidata Back Office Printer 115V	522903033
290003042	Okidata Ticket Printer 230V	522903042
290003043	Okidata Back Office Printer 230V	522903043
290003085	Receipt Printer	522903085
290004036	Monitor VGA 14" sell 285000005	522904036
290004055	Assy Intelliport BD W/8 PC	522904055
290005016	Wyse 285 Terminal 115V/230V	522905016
290005017	Wyse 285 Keyboard	522905017
290005033	XI Pole Display W/ Cable	522905033
294002072	Summit Control Box	522942072
610709802	MP Chassis 115V 50/60Hz	620709802
610709870	XOP Board W/O Cable Assy.	620709870
610900076	Ball Trigger	620900076
612460010	Radarray Plus	620460010
784559000	27" Monitor kit	527849000
030015850	5850 MP Chassis	520315850
030016524	82/30 MP Chassis 240V 50HZ	520316524
030016526	82/30 MP Chassis	520316526
070003900	MP + Chassis 110/60 Hz	620703900
070003901	MP + Chassis	620703901
070003902	Super Star MP Chassis	620703902
070004042	Motor BE LH	620704042
070004043	Motor BE RH	620704043
070004052	Motor Combo 12.1	620704052
070009860	82/70 Single Chip MP Board	520709860
090004501	Gearbox Back End Right Hand 60HZ	620904501
090004502	Gearbox Back End Left Hand 60HZ	620904502
090004504	Gearbox - Front End 60HZ	620904504
090004506	Gearbox Back End Right Hand 50HZ	620904506
090004507	Gearbox Back End Left Hand 50HZ	620904507
090004509	Gearbox - Front End 50HZ	620904509
090005700	8290 Chassis 115V	620905700
090005705	82/90 XL Chassis 230V	620905705
090005764	82/90 Chassis 230V	620905764
090005765	Front End Box S/F	620905765
090005769	8290 Chassis 230 CE Comp	620905769
090008800	8800 Chassis 115V	620908800
090008864	8800 Chassis 230V	620908864
232009325-054	Boss CPU W/9054 Tuner (RadisyS)	522329325-054
232009325-055	Boss CPU W/8755 Tuner (RadisyS)	522329325-055
285000000-01	Windows NT Workstation	522850000-01
N/A	Motor - Right Hand - Back End	520305911
232009065-051	XL CPU W/9051 Tuner (K-Byte) UL	522329065-051
232009065-054	XL CPU W/9054 Tuner (K-Byte) UL	522329065-054
232009065-055	XL CPU W/8755 Tuner (K-Byte) UL	522329065-055
232009275-054	Scorer Controller w/9054 Tuner card	522329275-054
232009275-055	Scorer Controller w/8755 Tuner Card	522329275-055
232009295-051	XL CPU W/9051 Tuner (RadisyS)	522329295-051
232009295-054	XL CPU W/9054 Tuner (RadisyS)	522329295-054
232009295-055	XL CPU W/8755 Tuner (RadisyS)	522329295-055
SA0247	Magnum Control Box Assy 8.0	780247
SA0249	Relay Board Magnum	780249
SA0250	Speed Control Box 110v	780250
SA0260	Speed Control Box 220v	780260
SA1172	Silver Bullet Control Box	781172
SA1187	PC Control Box	781187



"We keep you in the game!"